

podofo 2G+64G

podofo 2G+64G Car Radio Stereo User Manual

For Toyota Hilux 2015-2020 with Wireless CarPlay/Android Auto

1. INTRODUCTION

This manual provides detailed instructions for the installation, operation, and maintenance of your new podofo 2G+64G Car Radio Stereo. This head unit is designed for Toyota Hilux models from 2015 to 2020, featuring a 10.1-inch HD touch screen, Android 13.0 operating system, wireless CarPlay/Android Auto, GPS navigation, Wi-Fi, Bluetooth, FM/RDS radio, and an included HD backup camera.

Please read this manual thoroughly before installation and use to ensure proper function and to maximize your experience with the product.

2. SETUP AND INSTALLATION

2.1 Vehicle Compatibility

This car stereo is specifically designed for Toyota Hilux models manufactured between 2015 and 2020. Ensure your vehicle falls within this range for proper fitment.

For Toyota Hilux 2015-2020



After Installation



Before Installation

Image: Comparison of the car dashboard before and after the installation of the 10.1-inch car stereo unit.

2.2 Steering Wheel Control Wiring

If your original car's steering wheel controls are not functioning correctly after installation, it may be necessary to modify the wiring. Locate the two wires circled in the image below, cut them, and wrap them with electrical tape. After this modification, test the steering wheel controls to verify correct operation. If you are uncertain about performing this step, please contact customer service for assistance.

Please Note

If the original car steering wheel controls are not working properly, please cut the two wires circled in the image and wrap them with electrical tape. Then, test the steering wheel controls again to see if they function correctly.

If you are unsure how to perform this operation, please contact our customer service for assistance.

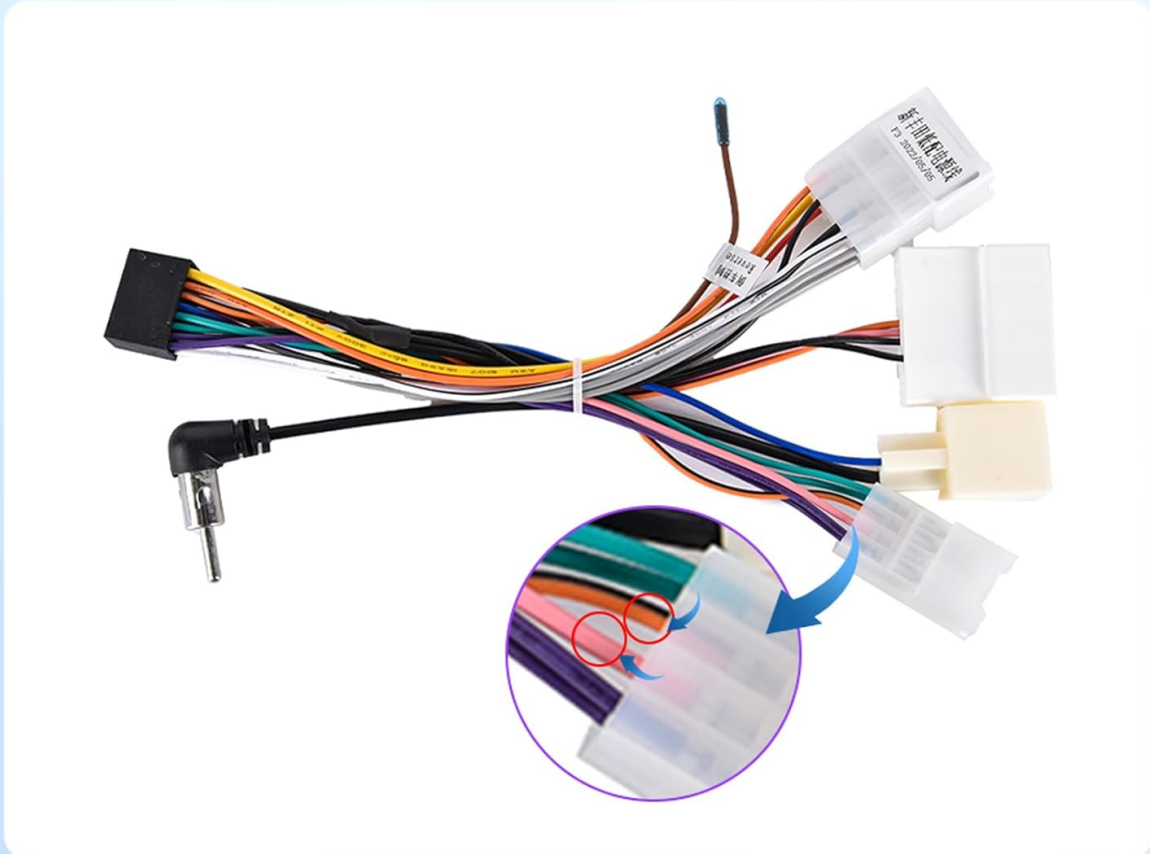


Image: Detailed view of the wiring harness, highlighting two specific wires that may need to be cut and insulated for proper steering wheel control functionality.

2.3 Backup Camera Wiring

To connect the HD backup camera, follow these steps:

1. Connect the red wire (1) to the car's reversing light positive (+12V).
2. Connect the black wire (2) to the car's reversing light negative (GND).
3. No connections are needed for points (3) and (4).
4. The reverse trigger wire (5), labeled 'Reverse/Back', connects to the vehicle's reverse light positive. If your vehicle does not have this wire, you do not need to connect it.

Camera wiring

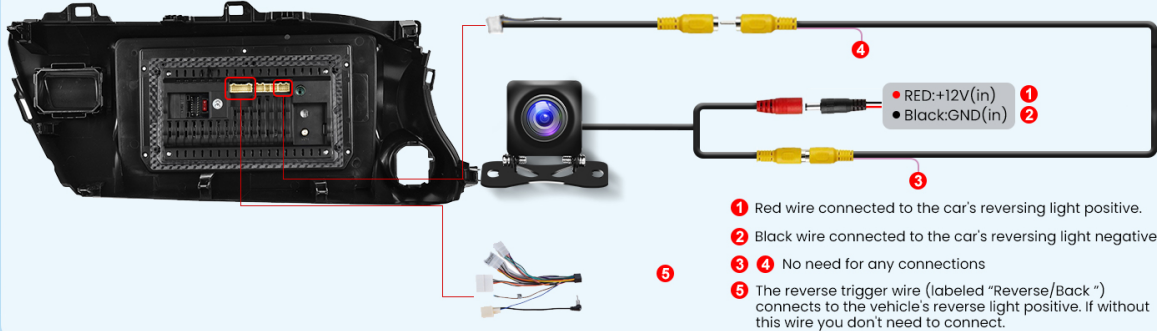


Image: Wiring diagram illustrating the connections for the HD backup camera, including power, ground, and reverse trigger wire.

3. OPERATING INSTRUCTIONS

3.1 General Operation

The unit features a 10.1-inch HD capacitive touch screen for intuitive control. Navigate through menus, select applications, and adjust settings by touching the screen. The Android 13.0 operating system provides a familiar interface similar to a smartphone.

3.2 Steering Wheel Control

Once properly wired (refer to Section 2.2), the steering wheel controls allow you to manage audio playback, answer calls, and navigate without taking your hands off the wheel. Functions typically include volume adjustment, track skipping, and mode switching.



Image: Illustration of how steering wheel controls can be used to operate the car stereo, enhancing driving safety.

4. CONNECTIVITY FEATURES

4.1 Wireless CarPlay / Android Auto

The head unit supports both wired and wireless CarPlay and Android Auto. Connect your smartphone to access navigation, music, calls, and voice control directly from the car stereo display. This feature enhances driving safety and convenience.

Wireless Carplay/Android Auto



Hey siri, call Jerry.

Hi, navigate to the park.



Image: Display of the car stereo screen showing the interface for Wireless CarPlay and Android Auto, with various app icons.



Image: A comprehensive view demonstrating both CarPlay and Android Auto interfaces, highlighting the flexibility of wired and wireless connection methods.

4.2 Phone Mirror Link (Screen Casting)

Utilize the Mirror Link function to project your smartphone's screen onto the car stereo. This allows for viewing navigation, videos, and other multimedia content from your phone on the larger display. Supports

both iOS and Android devices via USB or Bluetooth connection.

Mirror Link-Screen Casting

Connect your smartphone to enjoy videos (such as YouTube etc.) and entertainment on this car radio's large screen.



For iOS



For Android



Image: The Mirror Link feature in action, showing a smartphone's display mirrored onto the car stereo screen, with options for iOS and Android connections.

4.3 GPS Navigation

The unit includes a built-in offline map application, allowing you to download worldwide map data for navigation without an internet connection. Online maps are also supported when connected to Wi-Fi or a mobile hotspot.

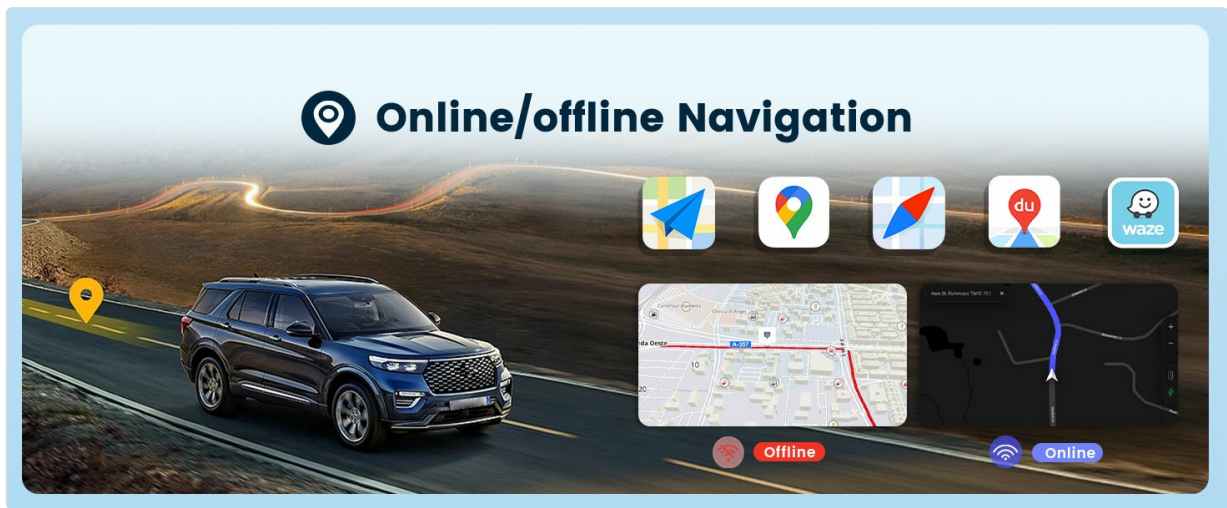


Image: The GPS navigation screen displaying both online and offline map capabilities, with various navigation app icons.

4.4 Built-in Wi-Fi

Connect the car stereo to a Wi-Fi network or a mobile hotspot to access online features, download apps from the application store, stream music, and browse the internet.



Image: Visual representation of the built-in Wi-Fi functionality, showing a smartphone connecting to the car stereo for internet access.

5. MULTIMEDIA FEATURES

5.1 Bluetooth Hands-Free Calling and Music

Pair your smartphone via Bluetooth for hands-free calling and wireless audio streaming. The unit supports dual microphones for clear communication.

Bluetooth Call & Music

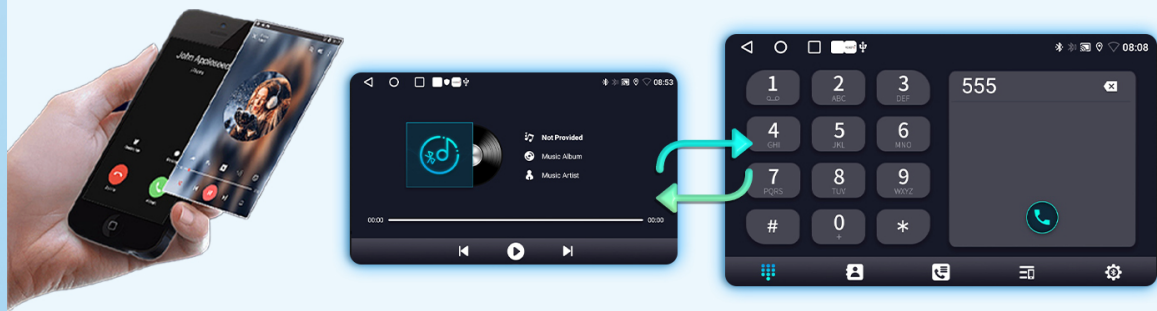


Image: The car stereo display showing Bluetooth connectivity for both phone calls and music playback.

5.2 FM/RDS Radio

Tune into your favorite FM radio stations. The RDS (Radio Data System) feature provides additional information such as station name, song title, and traffic announcements where available.



Image: The FM/RDS radio interface on the car stereo, showing frequency tuning and visual representation of sound waves.

5.3 Other Multimedia Functions

- **Dual USB Ports:** Connect USB drives for media playback or charging devices.
- **Subwoofer Output:** Enhance your audio experience by connecting an external subwoofer.
- **EQ:** Customize audio settings with the built-in equalizer for optimal sound quality.

6. MAINTENANCE

To ensure the longevity and optimal performance of your car stereo, follow these maintenance guidelines:

- **Cleaning:** Use a soft, dry cloth to clean the screen and exterior. Avoid abrasive cleaners or solvents.
- **Temperature:** Avoid exposing the unit to extreme temperatures, both hot and cold, for extended periods.
- **Software Updates:** Periodically check for and install any available software updates to ensure the system runs efficiently and securely.

7. TROUBLESHOOTING

If you encounter any issues with your car stereo, please refer to the following common troubleshooting tips:

- **No Power:** Check all power connections and fuses. Ensure the vehicle's ignition is on.
- **No Sound:** Verify speaker connections, volume levels, and audio source selection. Check if the mute function is active.
- **Touch Screen Unresponsive:** Try restarting the unit. If the issue persists, a factory reset might be necessary (consult customer support before performing a factory reset).
- **GPS Not Working:** Ensure the GPS antenna is properly connected and has a clear view of the sky. Check GPS settings within the unit.
- **CarPlay/Android Auto Connection Issues:** Ensure your phone's operating system is up to date. Try reconnecting the USB cable or re-pairing Bluetooth for wireless connections.

For persistent problems or issues not covered here, please contact podofu technical support.

8. SPECIFICATIONS

Feature	Detail
Brand	podofu
Vehicle Service Type	Car (Toyota Hilux 2015-2020)
Screen Size	10.1 Inches
Operating System	Android 13.0
Memory Storage Capacity	64 GB
RAM	2G
CPU	Quad-core
Connectivity Technology	Bluetooth, USB, Wi-Fi
Special Features	Navigation, Wired/Wireless CarPlay, Wired/Wireless Android Auto, Mirror Link, FM/RDS Radio, Steering Wheel Control, HD Backup Camera
Map Type	Worldwide (Offline/Online)
Display Type	LCD, Capacitive Touch Screen
Supported Satellite Navigation System	GPS
Item Weight	1 Kilogram

8.1 Package Contents

The product package typically includes the following items:

- Android Car Stereo Unit
- GPS Antenna
- External Microphone

- HD Backup Camera
- RCA Cable
- Camera Input Cable
- Installation Tool
- USB Cables (various)
- Power Cable
- User Manual (this document)



Image: Visual representation of the car stereo's dimensions and a comprehensive list of all accessories included in the package.

9. WARRANTY AND SUPPORT

9.1 Warranty Information

This podofu car stereo comes with a 2-year warranty. Please retain your proof of purchase for warranty claims.

9.2 Technical Support

Podofu offers professional technical support. For any concerns regarding installation, operation, or troubleshooting, please reach out to us directly via Amazon. You can typically find our support contact information by navigating to the product page on Amazon and clicking on the seller's name ('Podofu US'), then selecting 'Ask a question'.

24/7 Technical Support

Find Podofo Tech Support in TWO steps:

Step1 [Buy Now](#)

Ships from Amazon
Sold by [Podofo US](#)
Returns 30-day refund/replacement
Payment Secure transaction

[Click "Sold by Podofo US"](#)

Step2

Have a question for Podofo US?

[Ask a question](#)

[Click "Ask a question"](#)

Image: Step-by-step guide on how to locate and contact Podofo customer support through the Amazon platform.

 **100 Countries**
Available In over 100 countries

 **2-Year Warranty**

 **24/7**
Expert Customer Support

Image: Overview of Podofo's customer support commitment, highlighting global availability, warranty period, and continuous expert assistance.