

AN-20241223-02

Generic Cordless Stick Wet Dry Vacuum Cleaner with Mop User Manual

Model: AN-20241223-02

INTRODUCTION

Thank you for choosing the Generic Cordless Stick Wet Dry Vacuum Cleaner with Mop. This appliance is designed to provide efficient cleaning for various floor types, combining vacuuming and mopping functions. Please read this manual thoroughly before operation to ensure proper use, maintenance, and to maximize the lifespan of your product.



Image: The Cordless Rechargeable Vacuum Cleaner with Mop, showcasing its dual functionality and key specifications such as 120W high power, 14000pa powerful suction, two-speed adjustment, 30-55 minutes running time, a large capacity water tank, and convenient USB charging design.

IMPORTANT SAFETY INSTRUCTIONS

To reduce the risk of fire, electric shock, or injury, please observe the following safety precautions:

- Read all instructions before using the appliance.
- Do not use outdoors or on wet surfaces.
- Do not allow to be used as a toy. Close attention is necessary when used by or near children.
- Use only as described in this manual. Use only manufacturer's recommended attachments.
- Do not use with damaged cord or plug. If appliance is not working as it should, has been dropped, damaged, left outdoors, or dropped into water, return it to a service center.
- Do not pull or carry by cord, use cord as a handle, close a door on cord, or pull cord around sharp edges or corners. Do not run appliance over cord. Keep cord away from heated surfaces.
- Do not unplug by pulling on cord. To unplug, grasp the plug, not the cord.
- Do not handle plug or appliance with wet hands.

- Do not put any object into openings. Do not use with any opening blocked; keep free of dust, lint, hair, and anything that may reduce air flow.
- Keep hair, loose clothing, fingers, and all parts of body away from openings and moving parts.
- Do not pick up anything that is burning or smoking, such as cigarettes, matches, or hot ashes.
- Use extra care when cleaning on stairs.
- Do not use to pick up flammable or combustible liquids, such as gasoline, or use in areas where they may be present.
- Do not pick up toxic material, such as chlorine bleach, ammonia, or drain cleaner.
- Do not use without dust bin and/or filters in place.
- Turn off all controls before unplugging.
- Use only the charging cable provided by the manufacturer.

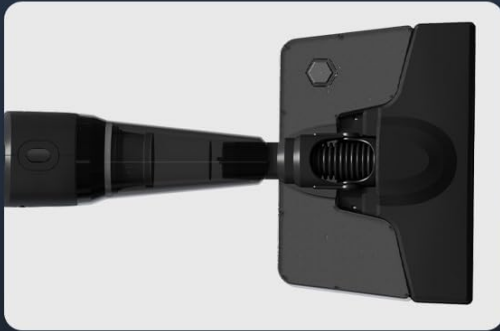
PACKAGE CONTENTS

Carefully unpack your new vacuum cleaner and ensure all items are present and in good condition. If any items are missing or damaged, please contact customer support.

- Host body (Main Unit) x 1
- Extension Tube x 1
- Flexible Extension Hose x 1
- Floor Brush x 1
- Hair Brush Suction Nozzle x 1
- Long Flat Suction Nozzle x 1
- Water Tank x 1
- Rag (Mop Pad) x 1
- USB Charging Cable x 1
- Manual x 1

Free Combination and Matching

Suitable for Hygienic Cleaning in a Variety of Scenarios



Vacuuming and Mopping in One Step

Real Time Vacuum Cleaning and Floor Mopping
Cleaning Work Completed in One Go



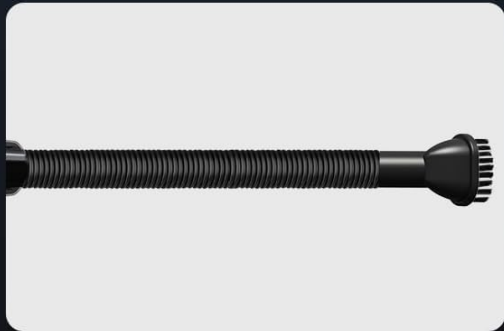
Floor Brush

Suitable for Cleaning Hardwood Floors,
Ceramic Tiles, Etc.



Long Flat Nozzle

Deep Cleaning of Small Crevices
Even Small Spaces Can Be Easily Cleaned



Hair Brush Nozzle

For Cleaning Uneven Areas.

Image: An illustration of the various attachments included with the vacuum cleaner, such as the floor brush for general cleaning, the long flat nozzle for crevices, and the hair brush nozzle for uneven surfaces, highlighting their versatility for different cleaning tasks.

PRODUCT OVERVIEW & COMPONENTS

The Generic Cordless Stick Wet Dry Vacuum Cleaner is designed for versatile cleaning, easily converting between stick and handheld modes. Familiarize yourself with the main components:

- **Main Unit:** Contains the motor, dust bin, and control buttons.
- **Extension Tube:** Connects the main unit to the floor brush for stick vacuum mode.
- **Floor Brush:** Main cleaning head for floors, includes the water tank for mopping.
- **Attachments:** Flexible extension hose, hair brush suction nozzle, long flat suction nozzle for specialized cleaning.
- **Water Tank & Rag:** For wet mopping functionality.



Image: The vacuum cleaner displayed in two forms: a full-sized stick vacuum for floor cleaning and a compact handheld unit for versatile use.

Hand-Held / Push Rod Type Free Switching

A wider range of cleaning scenarios, from floors to furniture curtains, etc.
Whether it's indoors or in the car, it's your best cleaning helper!



Image: The vacuum cleaner illustrating its flexible design, allowing for easy conversion between a handheld unit and a push-rod (stick) configuration to adapt to different cleaning needs, from floors to furniture and car interiors.

THREE MODES SWITCH AT ANY TIME

WHOLE HOUSE CLEANING
ONE MACHINE COMPLETE



Image: A visual representation of the vacuum cleaner's three operational modes and their approximate dimensions: a compact handheld mode (48 cm / 18.9 inch), a handheld mode with a flexible extension hose (68 cm / 26.7 inch), and the full stick vacuum mode (128 cm / 50.3 inch), emphasizing its adaptability for whole-house cleaning.

SETUP AND ASSEMBLY

Follow these steps to assemble your vacuum cleaner:

- 1. Charge the Battery:** Before first use, fully charge the vacuum cleaner using the provided USB charging cable. Connect the cable to the charging port on the main unit and a suitable USB power adapter (not included). The indicator light will show charging status.
- 2. Assemble for Stick Mode:**

- Insert the extension tube into the main unit until it clicks securely.
- Attach the floor brush to the other end of the extension tube until it clicks.

3. Assemble for Handheld Mode:

- Detach the extension tube and floor brush from the main unit.
- Attach desired accessories (e.g., long flat nozzle, hair brush nozzle, flexible extension hose) directly to the main unit.

4. Prepare for Wet Mopping:

- Attach the rag (mop pad) to the bottom of the water tank.
- Fill the water tank with clean water. You may add a small amount of non-foaming cleaning solution if desired.
- Attach the filled water tank to the floor brush.

OPERATING INSTRUCTIONS

Powering On/Off

- To turn on the vacuum, press the power button located on the main unit.
- To turn off the vacuum, press the power button again.

Adjusting Suction Modes

The vacuum cleaner features two adjustable suction speeds:

- **Speed 1 (7000Pa):** Suitable for light dust, paper scraps, and hair. Ideal for daily cleaning.
- **Speed 2 (14000Pa):** Provides maximum suction for larger particles and deeper cleaning.

Press the speed adjustment button (usually located near the power button) to switch between the two modes.

2 Speed Suction Adjustable Switching at Will

1 Gear 7000pa Suction

Vacuums Dust, Paper,
Hair, Etc.



2 Gear 14000pa Suction

Vacuums up Particle
Impurities



Image: A visual guide demonstrating the two suction power settings. Gear 1 offers 7000pa suction for lighter debris like dust, paper, and hair. Gear 2 provides 14000pa suction for effectively vacuuming up larger particle impurities.

Wet Mopping Function

When the water tank and rag are attached to the floor brush, the vacuum can simultaneously vacuum and mop:

1. Ensure the water tank is filled and the rag is securely attached.
2. Turn on the vacuum and select your desired suction speed.
3. Move the vacuum across the floor. The self-penetration technology will keep the mop pad consistently wet, allowing for simultaneous vacuuming and mopping.

Using Attachments

Select the appropriate attachment for specific cleaning tasks:

- **Long Flat Suction Nozzle:** Ideal for cleaning narrow gaps, corners, and hard-to-reach crevices.
- **Hair Brush Suction Nozzle:** Effective for cleaning uneven surfaces, upholstery, and removing pet hair from fabrics.
- **Flexible Extension Hose:** Provides extended reach and flexibility for cleaning car interiors, high shelves, or intricate areas.

MAINTENANCE

Regular maintenance ensures optimal performance and extends the life of your vacuum cleaner.

Cleaning the Dust Bin

1. Ensure the vacuum is turned off and unplugged from charging.
2. Press the release button to detach the dust bin from the main unit.
3. Empty the contents of the dust bin into a trash receptacle.
4. Wipe the inside of the dust bin with a damp cloth if necessary. Ensure it is completely dry before reattaching.

Cleaning the HEPA Filter

The HEPA filter should be cleaned regularly (e.g., after every 3-5 uses) and replaced every 3-6 months, depending on usage.

1. Remove the dust bin as described above.
2. Carefully remove the HEPA filter from the dust bin.
3. Tap the filter gently over a trash can to remove loose dust.
4. Rinse the HEPA filter under running water until clean. Do not use detergent.
5. Allow the filter to air dry completely for at least 24 hours before reinserting. Do not use a wet filter.

Cleaning the Water Tank and Rag

1. After each wet mopping session, detach the water tank from the floor brush.
2. Empty any remaining water from the tank.
3. Remove the rag (mop pad) and wash it with water and mild detergent.
4. Rinse the water tank and allow both the tank and rag to air dry completely before reassembling or storing.

Storing the Vacuum Cleaner

Store the vacuum cleaner in a cool, dry place, away from direct sunlight and moisture. Ensure the battery is partially charged if storing for an extended period.

TROUBLESHOOTING

If you encounter any issues with your vacuum cleaner, please refer to the following table for common problems and solutions:

Problem	Possible Cause	Solution
Vacuum does not turn on	Battery is depleted Power button not pressed correctly	Charge the battery fully Press the power button firmly

Problem	Possible Cause	Solution
Low suction power	Dust bin is full Filter is clogged Nozzle/hose is blocked	Empty the dust bin Clean or replace the HEPA filter Check and clear any blockages in the nozzle or hose
Water not dispensing for mopping	Water tank is empty Rag is not properly attached Water outlet is blocked	Refill the water tank Ensure rag is securely attached Check for any blockages in the water tank's outlet
Vacuum stops during operation	Battery is low Overheating protection activated	Recharge the battery Turn off the vacuum and let it cool down for 30 minutes before resuming use

SPECIFICATIONS

Detailed technical specifications for your Generic Cordless Stick Wet Dry Vacuum Cleaner:

Feature	Specification
Brand	Generic
Model Number	AN-20241223-02
Special Features	Lightweight, Washable Filter, Wet/Dry Functionality
Filter Type	HEPA Filter
Cordless	Yes
Suction Power	14000Pa (Max)
Wattage	120 watts
Battery Capacity	4000mAh Ternary Lithium Battery
Working Time	Approximately 30-55 minutes
Charging Time	4-5 hours (USB Charging)
Dust Bin Capacity	Not specified (typical for stick vacs)
Water Tank Capacity	200 Milliliters
Noise Level	65 Decibels
Product Dimensions	11.8"L x 9.05"W x 49.2"H
Item Weight	2.21 pounds
Manufacturer	Zesheng

Upgraded Pure Copper Motor

Newly Upgraded Brushless Motor, 120W High Power, 75000R/Min, Linear Air Duct Design Reduces Wind Resistance, Faster Rotation Speed and More Suction Power, Cleans More Thoroughly.

14000Pa

Max Suction

120W

High Power

75000R/min

Rotation Speed



Image: A detailed view of the vacuum cleaner's upgraded pure copper motor, emphasizing its high performance with 14000Pa maximum suction, 120W high power, and a rotation speed of 75000 revolutions per minute, designed for thorough cleaning.

WARRANTY AND SUPPORT

This product comes with a standard manufacturer's warranty. For specific warranty terms, duration, or to obtain technical support, please refer to the warranty card included in your package or contact the retailer/manufacturer directly. Please have your model number (AN-20241223-02) and purchase information ready when contacting support.