

## Kohree KR1128-KO-US-FBA

# Kohree Adjustable Trailer Hitch with 3 Replaceable Balls Instruction Manual

## PRODUCT OVERVIEW

---

The Kohree Adjustable Trailer Hitch is designed for versatile towing, offering a robust solution for various vehicles and trailer types. Constructed from high-strength aluminum, it provides durability and corrosion resistance. This hitch features a 6-inch drop or rise capability and includes three interchangeable ball sizes to accommodate different towing capacities and coupler sizes. Integrated anti-rattle and anti-theft mechanisms ensure a secure and quiet towing experience.

## KEY FEATURES

---

- **Sturdy Solid Construction:** Made from high-strength, heavy-duty aluminum with a corrosion-resistant finish for long-lasting durability.
- **6-Inch Adjustable with 3 Balls:** Fits 2-inch and 2-1/2-inch receivers (with adapter). Offers up to 6 inches of drop or rise. Includes 2 5/16", 2", and 1-7/8" ball sizes supporting up to 12,500 lbs, 8,000 lbs, and 5,000 lbs GTW respectively.
- **Anti-Rattle Clamp:** Heavy-duty steel plate with powder coat to eliminate hitch noise, rattles, and wobbles, extending the life of towing equipment.
- **Anti-Theft Pin Lock:** Equipped with 2 long hitch pin locks and 6 keys, made of stainless steel with O-rings for a secure fit, protecting against theft.
- **Easy to Install:** Quick installation in approximately 20 seconds, suitable for multiple trailers.

## WHAT'S IN THE BOX

---

- 1x Replaceable 1-7/8" Ball
- 1x 2" & 2 5/16" Trailer Hitch
- 1 x Receiver Adapter - Compatible with 2 5/16" inch Receiver
- 1 x Anti-Rattle Stabilizer
- 2x Hitch Pin Locks with 6 Spare Keys

# 6-INCH TRAILER HITCH WITH 3 BALL

## Travel Trailer



## Boat Trailer



## Utility Trailer



Image: All components included in the Kohree Adjustable Trailer Hitch Kit, laid out on a surface.

## PRODUCT DIMENSIONS AND CAPACITIES

---

# PRODUCT SIZE

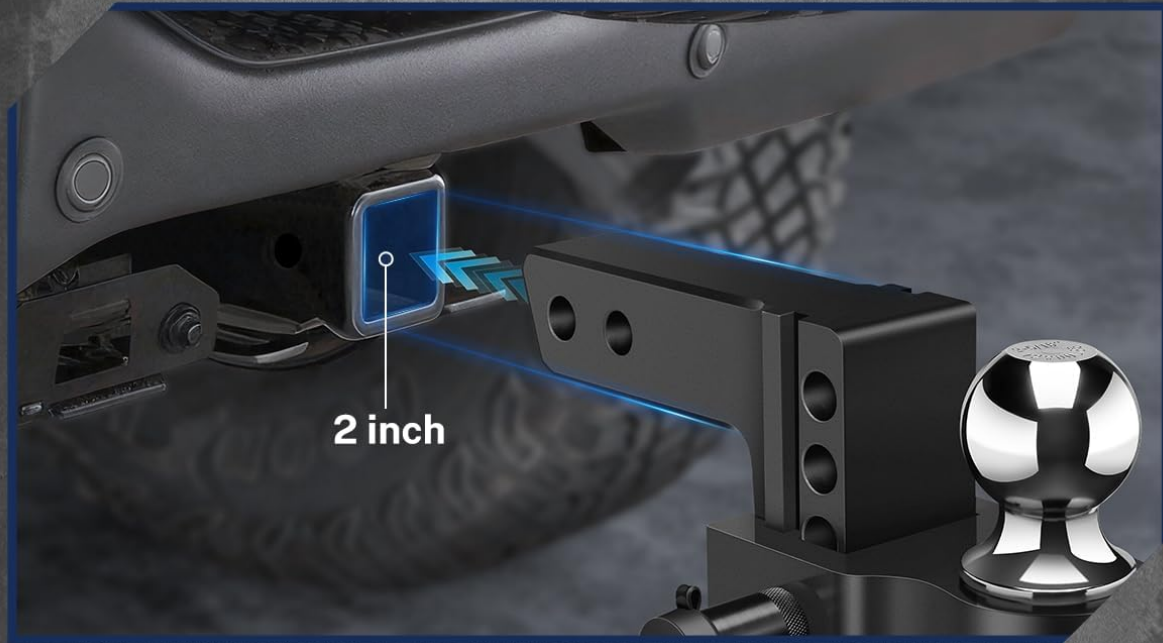


Image: A detailed diagram illustrating the dimensions of the hitch (e.g., 7.6" length, 6" drop/rise) and the towing capacities for each ball size: 12,500 lbs for 2-5/16" ball, 7,500 lbs for 2" ball, and 5,000 lbs for 1-7/8" replaceable ball.

## RECEIVER COMPATIBILITY

---

## FIT 2-INCH & RECEIVER



## FIT 2-1/2 INCH & RECEIVER

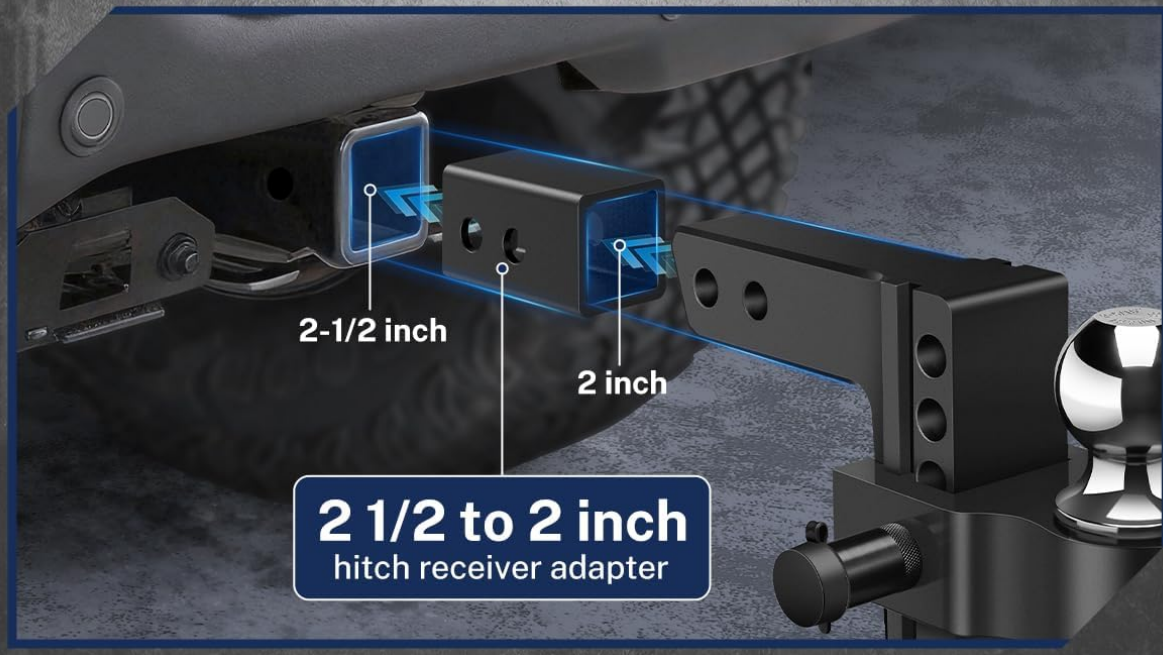


Image: The hitch is shown being inserted into a standard 2-inch vehicle receiver, demonstrating direct compatibility.

# COMPATIBLE VEHICLE TYPE



## COMPATIBLE WITH:

JRAM 2500 / 3500  
Ford F-250 / F-350 Super Duty  
(2017) & Newer)  
GMC Sierra 2500 / 3500 HD  
Chevrolet Silverado 2500 / 3500 HD



**2.5IN  
RECEIVER**

**2IN  
RECEIVER**



## COMPATIBLE WITH:

Jeep Wrangler	GMC Sierra 1500
Toyota 4Runner	Chevrolet Silverado 1500
RAM 1500	Nissan Titan
Ford F-150	Honda Ridgeline

Image: The hitch is shown being inserted into a 2-1/2 inch receiver using the provided 2-1/2 to 2 inch hitch receiver adapter, highlighting its versatility.

## COMPATIBLE VEHICLE TYPES

# TRAILER HITCH KIT



2" & 2-5/16" DUAL-BALL \*1



TRAILER MOUNT\*1



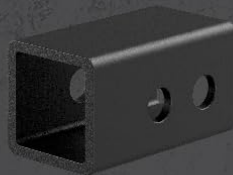
REPLACEABLE  
1-7/8" BALL \*1



HITCH TIGHTENER \*1



KEY \*6



2 1/2 TO 2 INCH  
HITCH RECEIVER ADAPTER \*1



ANTI-THEFT PIN \*2

Image: Visual examples of compatible vehicles, including trucks (e.g., JRAM 2500/3500, Ford F-250/F-350 Super Duty, GMC Sierra 2500/3500 HD, Chevrolet Silverado 2500/3500 HD for 2.5-inch receivers) and SUVs/lighter trucks (e.g., Jeep Wrangler, Toyota 4Runner, RAM 1500, Ford F-150, GMC Sierra 1500, Chevrolet Silverado 1500, Nissan Titan, Honda Ridgeline for 2-inch receivers).

## SETUP AND INSTALLATION

Follow these steps for proper installation and configuration of your Kohree Adjustable Trailer Hitch:

- 1. Insert Hitch into Receiver:** Slide the main hitch assembly into your vehicle's receiver. If your vehicle has a 2-1/2 inch receiver, first insert the provided 2-1/2 to 2 inch adapter into the receiver, then insert the hitch assembly into the adapter.
- 2. Secure with Pin Lock:** Align the hitch pin holes and insert one of the anti-theft pin locks. Turn the key to secure the lock.

3. **Adjust Ball Height:** Determine the appropriate drop or rise needed for your trailer to ensure a level towing position. Slide the ball mount up or down the vertical shaft of the hitch until the desired height is achieved.
4. **Secure Ball Mount:** Insert the second anti-theft pin lock through the chosen height adjustment hole on the ball mount and the main hitch body. Secure with the key.
5. **Install Anti-Rattle Clamp:** Position the anti-rattle clamp around the hitch receiver and the main hitch body as shown in the diagram. Tighten the U-bolts to eliminate any play or rattling.
6. **Select and Install Trailer Ball:** The hitch comes with a dual-ball (2" and 2-5/16") pre-installed. If a 1-7/8" ball is required, use the provided Allen wrench to remove the two screws securing the dual-ball, replace it with the 1-7/8" ball, and re-tighten the screws. Ensure all screws are securely fastened.



Image: A visual guide demonstrating the quick and easy setup process of the adjustable hitch, including inserting into the receiver and securing components.

# ANTI RATTLE HITCH CLAMP

Reduce Rattle and Noisy



**When installing,  
leave enough space to  
install the U-bolts**

[ Note: the U-bolts are not  
installed on the receiver ]

Image: Detailed view of the anti-rattle hitch clamp installation, showing how the U-bolts secure the hitch to prevent movement and noise. Note: U-bolts are not installed in the receiver itself.

# 2 LONG HITCH PIN WITH 6 KEYS

(Very Strong & Sturdy)



Image: Close-up of the two long anti-theft hitch pin locks, highlighting their stainless steel construction, detachable O-rings for preventing shaking, and the included keys. Rated for anti-rust and anti-theft.

# SAFE & STABLE HITCH



- Secure Lock System
- Prevent Shaking

Image: The fully installed hitch, demonstrating a secure lock system and the anti-rattle mechanism in place, ensuring a stable connection.

Video: This video demonstrates the process of replacing the 1-7/8" ball on the Kohree Adjustable Trailer Hitch. It shows how to remove the existing dual-ball by unscrewing the bolts, insert the smaller ball, and then secure it by re-tightening the bolts.

Video: This video provides a comprehensive overview of the Kohree 6" Trailer Hitch Kit with 3 Balls and hitch adapter. It illustrates the installation of the hitch into a receiver, securing it with the pin lock, and attaching the anti-rattle device to ensure a stable and quiet towing connection.

## OPERATION

Once installed, ensure your trailer is properly connected to the selected hitch ball and all safety chains are

securely attached. Verify that the trailer is level to optimize towing performance and safety. The adjustable nature of this hitch allows you to achieve the correct height for various trailers, including travel trailers, boat trailers, and utility trailers.



Image: Demonstrates the Kohree 6-inch adjustable trailer hitch in use with different types of trailers, including a travel trailer, a boat trailer, and a utility trailer, showcasing its versatility for various towing needs.

## MAINTENANCE

---

To ensure the longevity and safe operation of your Kohree Adjustable Trailer Hitch, perform the following maintenance checks regularly:

- **Inspect for Wear:** Before each use, visually inspect the hitch, balls, pins, and anti-rattle clamp for any signs of wear, cracks, corrosion, or damage.
- **Clean Components:** Clean the hitch components periodically, especially after exposure to harsh weather conditions or road salt. Use a mild detergent and water, then dry thoroughly.
- **Lubricate Moving Parts:** Apply a light coat of grease to the hitch balls and any moving parts of the pin locks to ensure smooth operation and prevent rust.
- **Check Fasteners:** Ensure all bolts and nuts, especially those on the anti-rattle clamp and the replaceable balls, are tightened to the manufacturer's specifications.

## TROUBLESHOOTING

---

If you encounter any issues with your Kohree Adjustable Trailer Hitch, consider the following:

- **Excessive Rattling:** Ensure the anti-rattle clamp is correctly installed and tightened. Verify that the hitch pins are fully inserted and locked.
- **Difficulty Inserting/Removing Pins:** Check for any debris in the pin holes. Lubricate the pin locks if they are stiff. Ensure the hitch is properly aligned within the receiver.
- **Trailer Not Level:** Adjust the height of the ball mount using the multiple adjustment holes on the hitch body until the trailer is level when connected to your vehicle.

## SPECIFICATIONS

---

Attribute	Value
Brand	Kohree

Item Weight	16.7 Pounds
Vehicle Service Type	Boat & Cargo Trailers, Class III & IV Vehicles, RV, SUVs, Truck
Material	Aluminum
Finish Type	Powder Coated
Manufacturer Part Number	KR1128-KO-US-FBA
Model Number	KR1128-KO-CA-FBA
Unit Count	1.0 Count
Compatible with Vehicle Type	Boat & Cargo Trailers, Class III & IV Vehicles, RV, SUVs, Truck
Automotive Fit Type	Universal Fit

## WARRANTY AND SUPPORT

---

Kohree is committed to providing high-quality products and excellent customer service. The Kohree service team is available to offer professional advice and support for any questions or concerns regarding your product. Please refer to your purchase documentation for specific warranty details.