



[Manuals.plus](#) /

› [HmmtlyRack](#) /

› HmmtlyRack 12-Inch Panoramic Convex Rear View Mirror User Manual

HmmtlyRack HR0301 Convex Rearview Mirror

HmmtlyRack 12-Inch Panoramic Convex Rear View Mirror User Manual

Model: HR0301 Convex Rearview Mirror

1. INTRODUCTION

This manual provides comprehensive instructions for the installation, operation, and maintenance of your HmmtlyRack 12-inch Panoramic Convex Rear View Mirror. Designed to enhance your driving experience, this mirror offers an expanded field of view and anti-glare properties for improved safety and visibility.

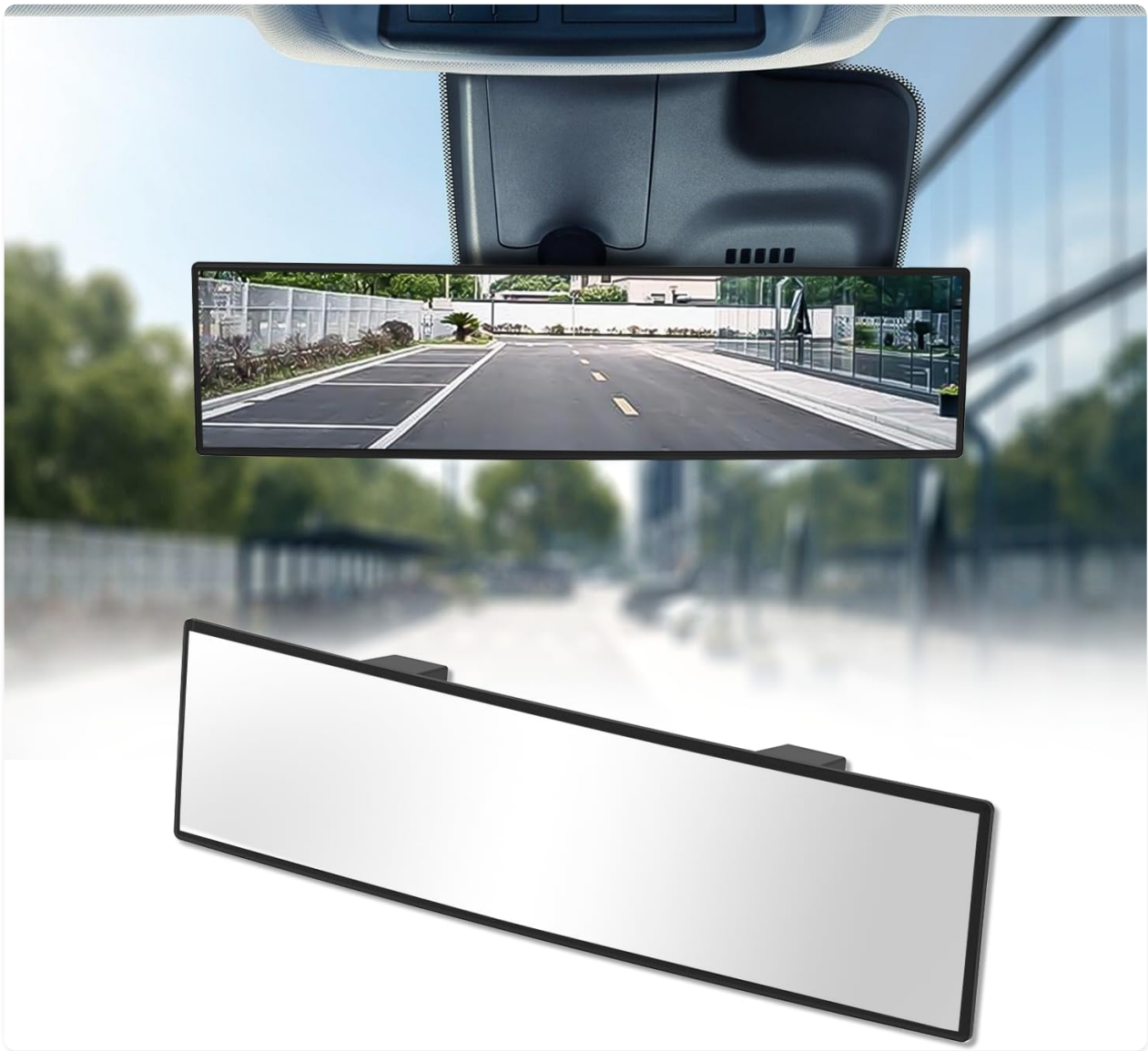


Figure 1: HmmtlyRack 12-inch Panoramic Convex Rear View Mirror.

2. PRODUCT FEATURES

- **Chrome Coating:** Features a chrome coating for superior anti-glare protection, effectively reducing the impact of high beams and enhancing night visibility compared to standard or blue mirrors.
- **Panoramic Wide-Angle View:** Increases the field of view by 30% compared to original car mirrors, providing a broader perspective and effectively eliminating blind spots for safer driving and reversing.
- **Easy Clip-on Installation:** Installs in approximately 7 seconds without tools. Simply snap the adjustable clips onto the bottom of your original rearview mirror and adjust the angle.
- **Anti-shake Design:** Equipped with four anti-slip textured clips that firmly secure the mirror to the original, preventing shaking or detachment even on uneven roads.
- **High-Quality HD Glass:** Ensures clear, realistic imaging, preventing distortion and double reflection. Allows clear visibility of road conditions behind the vehicle and inside the back seat.



Figure 2: Key features including Chrome Coating, Anti-glare, Wide-angle View, and 7-second Installation.



Figure 3: Visual comparison highlighting the superior anti-glare and clarity of the chrome-plated HD glass.

3. SPECIFICATIONS

Attribute	Detail
Model	HR0301 Convex Rearview Mirror
Dimensions (L x W x H)	12 x 1.5 x 3 inches
Item Weight	10.56 ounces
Color	Black
Mounting Type	Clip on the Original Rear View Mirror
Special Features	Anti-Glare, Shatter Resistant

Attribute	Detail
Lens Curvature	Convex
Automotive Fit Type	Universal Fit (Recommended for Midsize Car, Full-size Car, Compact SUV, Midsize SUV)
Included Components	12 Inch Car Mirror

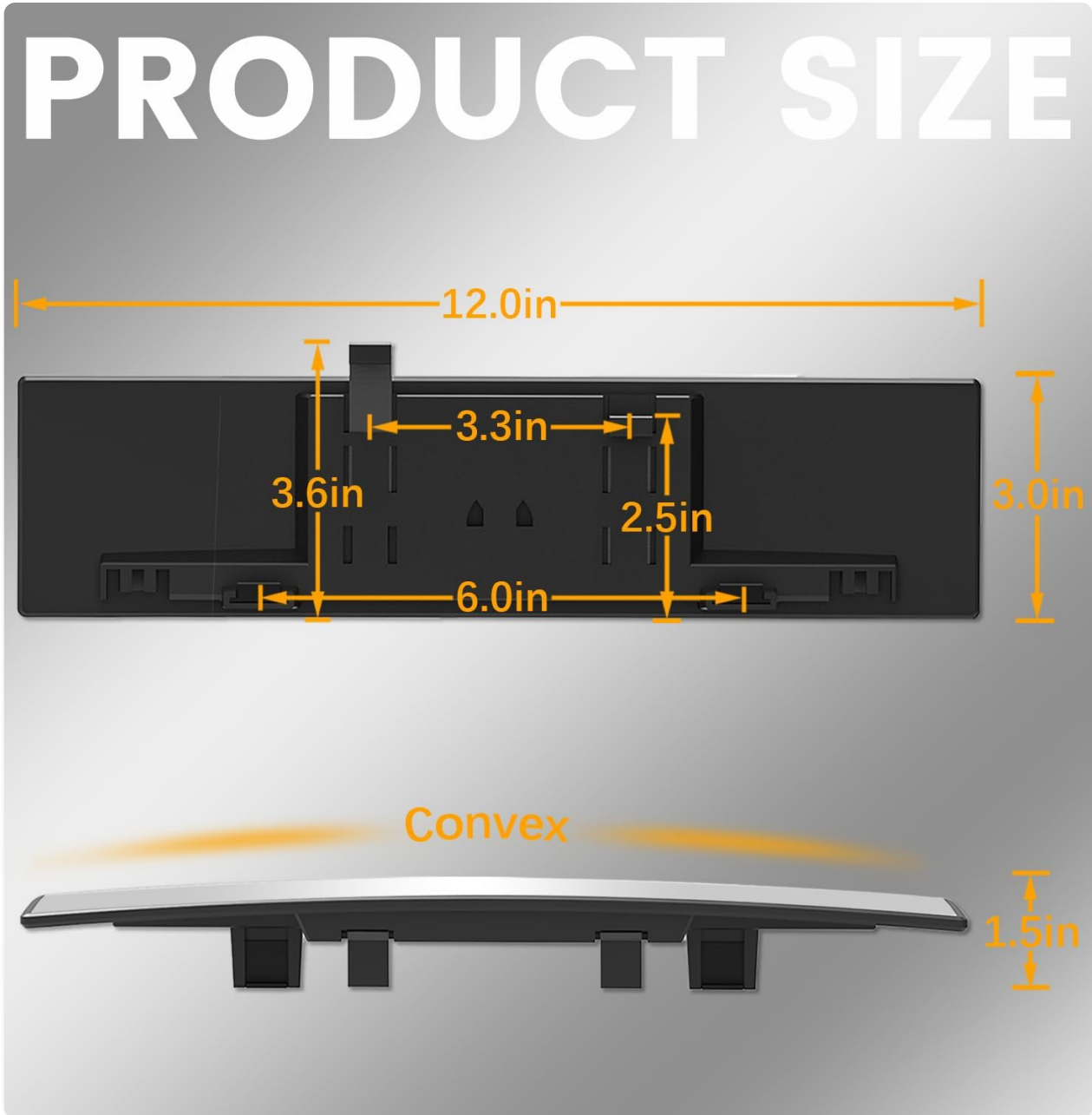


Figure 4: Detailed product dimensions and convex mirror profile.



Figure 5: Guide for mirror size and compatible car models.

4. SETUP AND INSTALLATION

The HmmtYRack Panoramic Rear View Mirror is designed for quick and easy installation without the need for any tools.

1. **Step 1:** Ensure your original rearview mirror is clean and free of obstructions.
2. **Step 2:** Position the top clips of the panoramic mirror over the top edge of your original rearview mirror.
3. **Step 3:** Gently pull down the bottom clips of the panoramic mirror and snap them securely onto the bottom edge of your original rearview mirror. The clips are designed with an anti-slip texture for a firm grip.
4. **Step 4:** Adjust the angle of the newly installed panoramic mirror to achieve your desired field of view. Ensure it is stable and does not shake.

The mirror's extensible clips fit original mirrors with a height range of 2.5 inches to 3.6 inches.

Easy to install

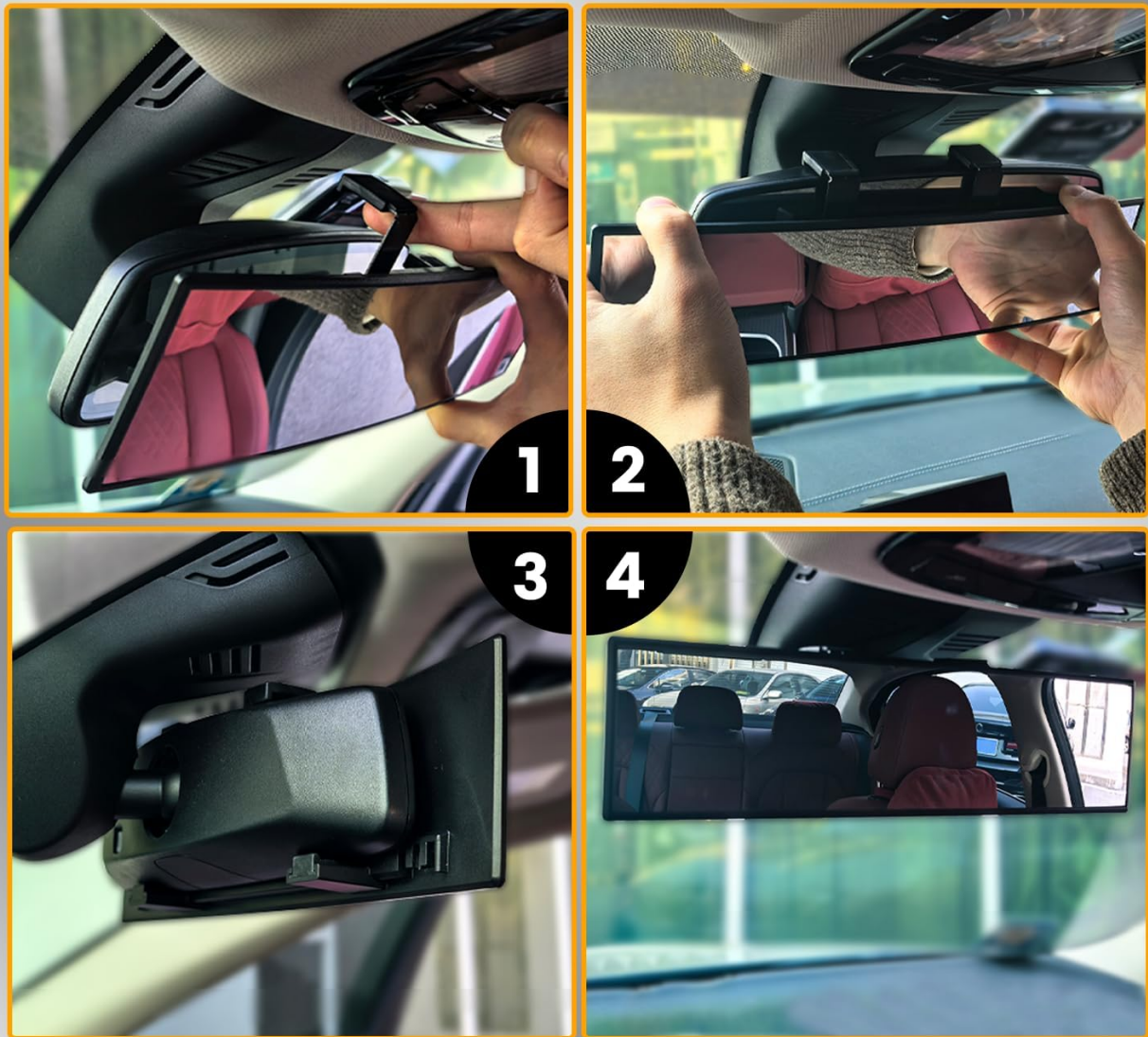


Figure 6: Visual guide for the 4-step installation process.

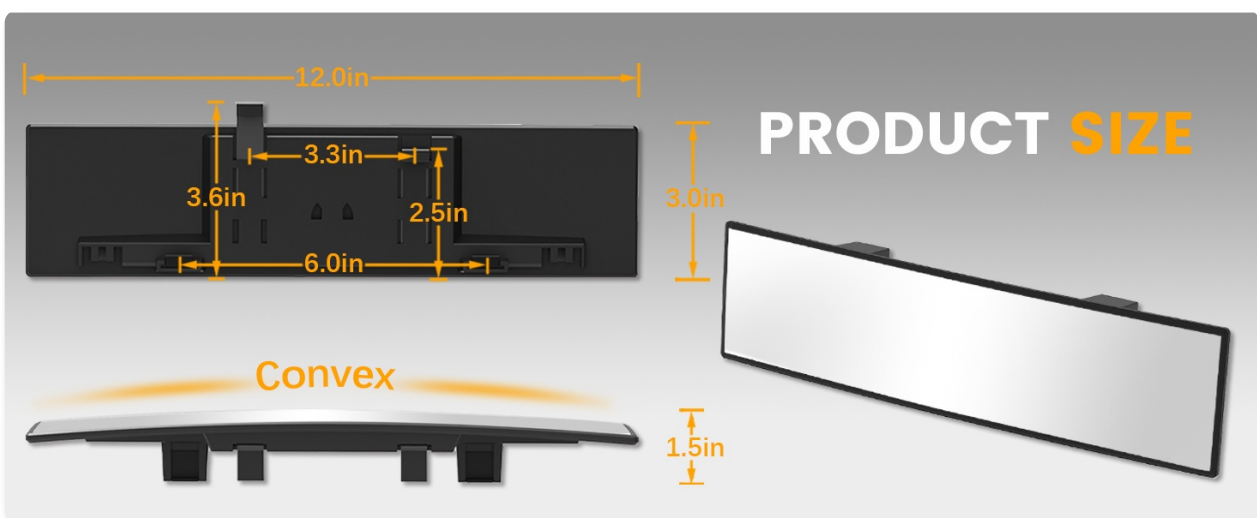


Figure 7: Illustration of the clip mechanism and vehicle compatibility.

5. OPERATING INSTRUCTIONS

Once installed, the HmmyRack Panoramic Rear View Mirror provides an enhanced view of your surroundings. Its convex design and wide angle significantly expand your field of vision, reducing blind spots and improving overall situational awareness.

- **Enhanced Rear Visibility:** The panoramic view allows you to see a wider area behind your vehicle, including adjacent lanes and the rear passenger compartment. This is particularly beneficial for monitoring children or pets in the back seat.
- **Blind Spot Reduction:** By expanding your peripheral vision, the mirror helps to minimize blind spots, making lane changes and merging safer.
- **Anti-Glare Functionality:** The chrome coating effectively diffuses bright lights from vehicles behind you, especially high beams at night, ensuring clear vision without dazzling.
- **Parking and Reversing Aid:** The wider view assists significantly during parking maneuvers and reversing, providing a clearer perspective of obstacles and surroundings.

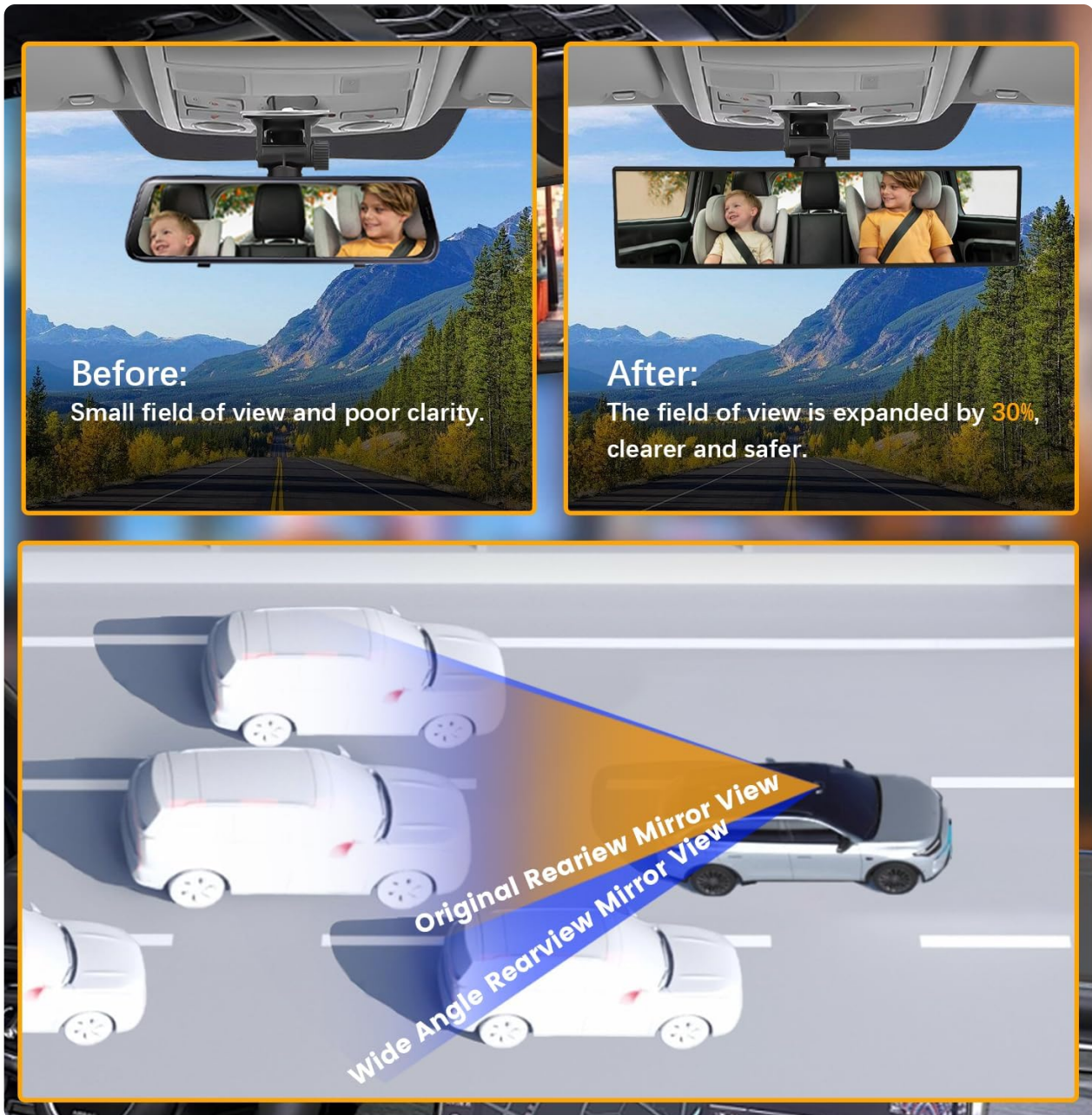


Figure 8: Visual demonstration of the expanded field of view after installation.



Figure 9: Illustration of how the wide-angle mirror reduces blind spots compared to an original rearview mirror.

6. MAINTENANCE

To ensure the longevity and optimal performance of your HmntyRack Panoramic Rear View Mirror, follow these simple maintenance guidelines:

- **Cleaning:** Use a soft, lint-free cloth and a non-abrasive glass cleaner to wipe the mirror surface. Avoid harsh chemicals or abrasive materials that could scratch the chrome coating or glass.
- **Inspection:** Periodically check the clips to ensure they remain securely attached to your original rearview mirror. If any looseness is detected, re-adjust the clips to ensure a firm fit.
- **Storage:** If removing the mirror for extended periods, store it in a clean, dry place away from direct sunlight and extreme temperatures to prevent damage.

7. TROUBLESHOOTING

If you encounter any issues with your HmntyRack Panoramic Rear View Mirror, refer to the following common troubleshooting tips:

- **Mirror is Shaking or Loose:**
Solution: This is typically due to improper installation. Ensure all four clips are fully engaged and securely gripping your original rearview mirror. The anti-slip texture on the clips should provide a firm hold. Re-adjust the mirror by pressing firmly on the clips until it is stable.
- **View is Distorted or Unclear:**
Solution: While the mirror is convex to provide a wider view, it should not be excessively distorted. Ensure the mirror surface is clean and free of smudges or debris. If the issue persists, verify that the mirror is correctly seated and not warped. The high-quality HD glass is designed to prevent distortion.
- **Anti-Glare Functionality Seems Ineffective:**
Solution: The chrome coating is designed to reduce glare. Ensure the mirror surface is clean. In extremely bright conditions or with very strong, direct light sources, some glare may still be present, but it should be significantly reduced compared to a standard mirror. Verify that you have the chrome-coated model.

If these steps do not resolve the issue, please contact HmntyRack customer support for further assistance.

8. WARRANTY AND SUPPORT

HmntyRack stands behind the quality of its products. This product is typically covered by a return policy allowing for refunds or replacements within 30 days of purchase, as per standard retail terms.

For specific warranty details, technical support, or any inquiries not covered in this manual, please contact HmntyRack customer service through the retailer where the product was purchased or visit the official HmntyRack website.

Manufacturer: HmntyRack

Brand Store: [Visit the HmntyRack Store on Amazon](#)