

RuiSiSi Twin Size Race Car-Shaped Bed Frame

RuiSiSi Twin Size Race Car Bed Frame Instruction Manual

Model: Twin Size Race Car-Shaped Bed Frame | Brand: RuiSiSi

1. INTRODUCTION

Thank you for choosing the RuiSiSi Twin Size Race Car Bed Frame. This manual provides essential information for the safe assembly, operation, and maintenance of your new bed frame. Please read these instructions carefully before beginning assembly and retain them for future reference.

2. SAFETY INFORMATION

WARNING: Failure to follow these safety instructions could result in serious injury.

- Always assemble the bed frame on a soft, clean surface to prevent damage to the product and your flooring.
- Ensure all bolts, screws, and connectors are securely tightened before use. Periodically check and re-tighten as necessary.
- Do not allow children to play on or under the bed frame during assembly.
- The maximum weight capacity for this bed frame is 250 LBS. Do not exceed this limit.
- Keep small parts out of reach of children to prevent choking hazards.
- Do not use power tools for assembly unless specifically instructed, as over-tightening can damage the wood.
- Ensure the bed frame is placed on a level surface to prevent instability.

3. PACKAGE CONTENTS

Before assembly, verify that all components are present and undamaged. If any parts are missing or damaged, please contact customer support.

Typical Components:

- Headboard (Race Car Front)
- Footboard (Race Car Rear with Spoiler/Storage)
- Side Rails (Left and Right)
- Bed Slats
- Support Legs (if applicable)
- Hardware Pack (screws, bolts, Allen wrench)

Note: All necessary tools for assembly are included in the package.

4. SETUP AND ASSEMBLY

Follow these steps carefully to assemble your RuiSiSi Race Car Bed Frame. It is recommended to have two people for assembly.

1. **Unpack and Identify Parts:** Carefully remove all components from the packaging. Lay them out on a clean, soft surface and compare them against the parts list in your included assembly guide.
2. **Attach Side Rails to Headboard:** Securely connect the side rails to the headboard using the provided hardware. Ensure the connections are firm.
3. **Attach Side Rails to Footboard:** Connect the other end of the side rails to the footboard, ensuring all connections are tight.
4. **Install Bed Slats:** Place the bed slats across the side rails. Secure them in place according to the instructions in your assembly guide, typically by screwing them into pre-drilled holes. Ensure even spacing for proper mattress support.
5. **Final Tightening:** Once all parts are assembled, go back and ensure all bolts and screws are fully tightened. Do not overtighten.



Image: Assembled bed frame structure, ready for mattress placement.



Image: Detail of the bed frame's slat system for mattress support.

5. OPERATING AND USAGE

This bed frame is designed for a twin-size mattress and does not require a box spring.

- **Mattress Placement:** Carefully place a standard twin-size mattress directly onto the bed slats. Ensure the mattress fits snugly within the frame.
- **Safety Guardrails:** The integrated side rails provide safety and help prevent accidental falls, making it suitable for children.
- **Built-in Storage Rack:** The head of the bed features a built-in storage rack. This area is ideal for placing small items such as books, toys, or a night light. Do not overload the storage rack.

Size: inch

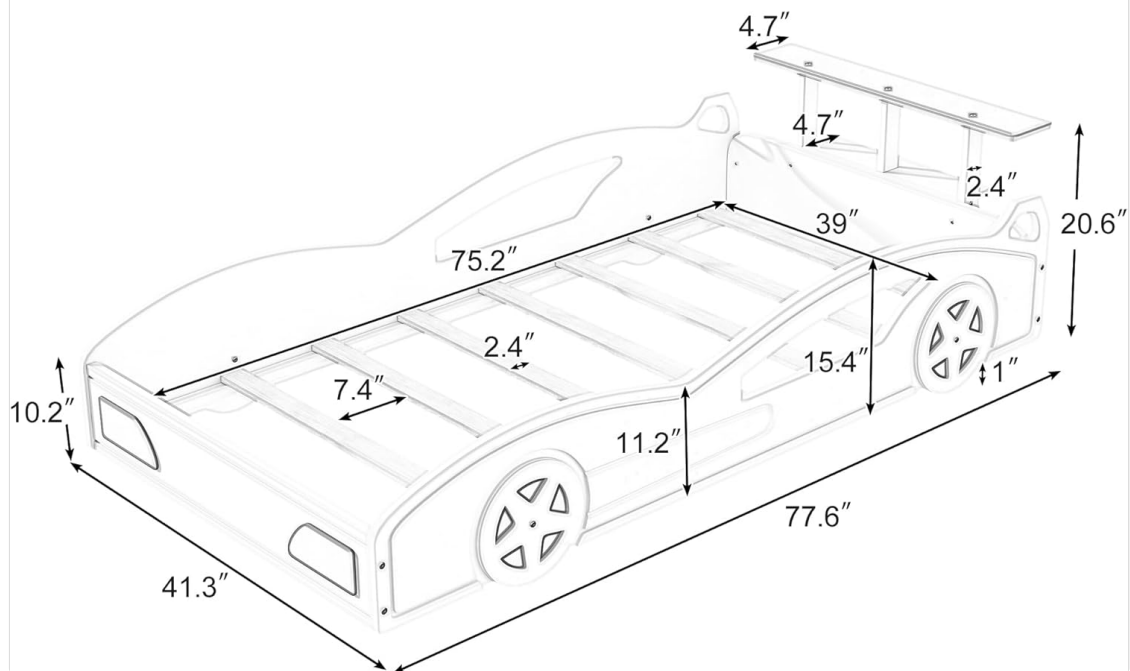


Image: The race car bed frame in use, with mattress and items on the storage shelf.



Image: Detail of the integrated storage rack at the rear of the bed frame.

6. MAINTENANCE

Proper care will extend the life and appearance of your bed frame.

- **Cleaning:** Wipe the bed frame with a soft, damp cloth. Avoid harsh chemicals or abrasive cleaners, as these can damage the finish.
- **Hardware Check:** Periodically inspect all bolts, screws, and connections to ensure they remain tight. Re-tighten as needed to maintain structural integrity.
- **Avoid Excessive Moisture:** Do not expose the bed frame to excessive moisture or humidity, which can cause warping or damage to the wood.

7. TROUBLESHOOTING

If you encounter any issues with your bed frame, refer to the following common problems and solutions:

- Bed Frame is Wobbly:**
Solution: Check all assembly hardware. Ensure all bolts and screws are securely tightened. Make sure the bed is on a level surface.
- Squeaking Noises:**
Solution: Squeaking often indicates loose connections. Re-tighten all bolts and screws. Ensure slats are properly seated and secured.
- Chemical Odor:**
Solution: New furniture may have a slight odor from manufacturing. Ensure the room is well-ventilated. The odor should dissipate over a few days.
- Missing or Damaged Parts:**
Solution: Do not attempt to assemble with missing or damaged parts. Contact customer support immediately for replacements.

8. SPECIFICATIONS

Key dimensions and material details for the RuiSiSi Twin Size Race Car Bed Frame:

Feature	Detail
Overall Product Dimension	77.6"L x 41.3"W x 20.6"H
Frame Material	MDF (Medium-Density Fiberboard)
Weight Capacity	250 LBS
Box Spring Required	No
Compatible Mattress Size	Twin
Special Features	Safety Guardrails, Built-in Storage Rack, Wheels (decorative)
Assembly Required	Yes (Full Assembly Needed)



Image: Detailed dimensions of the RuiSiSi Race Car Bed Frame.

9. WARRANTY AND SUPPORT

This RuiSiSi Race Car Bed Frame comes with a **6-month manufacturer's warranty** covering defects in materials and workmanship.

For warranty claims, missing parts, or any other inquiries, please contact your retailer or the manufacturer's customer support with your purchase details.