



Manuals.plus /

› **DEPGI** /

› DEPGI 14-inch Portable Dual Laptop Screen Extender (Model DE141NB) User Manual

DEPGI DE141NB

DEPGI 14-inch Portable Dual Laptop Screen Extender User Manual

Model: DE141NB

1. INTRODUCTION

The DEPGI 14-inch Portable Dual Laptop Screen Extender is designed to enhance productivity by providing additional display space for your laptop. This device features two 14-inch 1200P FHD IPS screens with a 16:10 aspect ratio, offering a wider and more comfortable visual experience. It supports a single-cable connection for convenience and is compatible with a wide range of laptops running macOS and Windows operating systems.



Image: The DEPGI 14-inch Portable Dual Laptop Screen Extender in use, showing an expanded desktop across the laptop and two external screens.

2. PACKAGE CONTENTS

Please verify that all items are present in your package:

- 14-inch Dual Laptop Screen Extender
- Storage Bag
- USB-A to USB-C Cable
- Signal Cable
- USB Disk Drive (for macOS driver installation)



Image: A visual representation of the items included in the product package.

3. SETUP INSTRUCTIONS

3.1 Physical Setup

1. **Unpack the Extender:** Carefully remove the screen extender from its packaging.
2. **Open the Bracket:** Place the extender on a flat surface and open the integrated bracket.
3. **Adjust Height and Angle:** Utilize the adjustable kickstand to set the desired height and viewing angle for optimal comfort. The stand allows for flexible positioning.
4. **Attach to Laptop:** Securely attach the screen extender to your laptop. The design is compatible with 13-inch to 17.3-inch laptops.

Adjustable Height and Angle

Adjust freely to maintain a healthy posture

Adjustable Height



Adjustable Elevation Angle

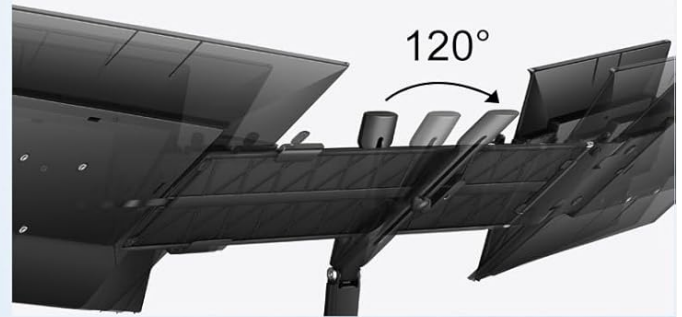


Image: Visual guide demonstrating the adjustable height and angle features of the screen extender.

3.2 Cable Connection

The DEPGI screen extender supports a single-cable connection for most modern laptops. For older laptops, an included USB-A adapter may be required.


- **USB-C Connection:** If your laptop has a full-featured USB-C port (supporting power, video, and data), connect the provided USB-C cable directly to the extender and your laptop.
- **USB-A Connection:** For laptops without a USB-C port, use the provided USB-A to USB-C cable and the OTG adapter (if necessary) to connect the extender. Ensure both power and signal cables are connected if using USB-A.

One Cable Connection

Only one cable is needed to adapt to most computer interfaces



USB-C  Connect Directly

USB-A  Another Connection



Need to use OTG adapter (Included in the package)

Compatible with mostly old version laptops without Type C port

Image: Detailed view of the single-cable connection options for the screen extender.

3.3 Driver Installation

- **Windows Systems:** The driver typically installs automatically. Ensure Windows automatic updates are enabled. If not, insert the USB signal cable, and the system should detect and install the driver. A restart may be required.
- **macOS Systems:** You must install the driver manually using the provided USB disk drive. Insert the USB disk drive, select the corresponding driver, double-click to open, and follow the prompts to complete the installation.

Check Before Purchase

► Driver Installation

Windows

Will automatically recognize and install the driver, **Windows automatic updates must be enabled**

macOS

You **must install the driver** manually using the USB disk drive provided



► Compatibility

Ensure power is connected/power performance mode is enabled before installation

Compatible with most computer models:
macOS/Windows 7/10/11 version above



Image: Instructions for driver installation on Windows and macOS, highlighting the use of the USB disk drive for Mac.

For a visual guide on setup and connection, please watch the official product video:

Your browser does not support the video tag.

Video: Official DEPGI demonstration of the 14-inch dual screen portable laptop extender, covering setup and features.

4. OPERATING INSTRUCTIONS

Once connected and drivers are installed, your DEPGI screen extender will automatically extend your laptop's display. You can configure display settings through your operating system.

- **Extended Mode:** By default, the screens will operate in extended mode, allowing you to drag windows across all displays for increased workspace.
- **Mirror Mode:** You can configure the displays to mirror your main laptop screen, showing the same content on all screens. This is useful for presentations.
- **Portrait Mode:** The screens can be rotated to portrait orientation for specific tasks, such as reading documents or coding.

- **Backlight Brightness:** Adjust independent backlight brightness for each screen to suit your environment and reduce eye strain.

More Convenient for Travel

Comes with a cable box and carry bag for added convenience

OTHERS

Complex Connections



OURS

Just Pull to Reel in the Cable



PORTABLE

Say Goodbye to Messy Cords



Image: Example of enhanced productivity with multiple applications displayed across the laptop and extended screens.

16:10 Narrow Frame Design

More display area, more visual space, more comfortable

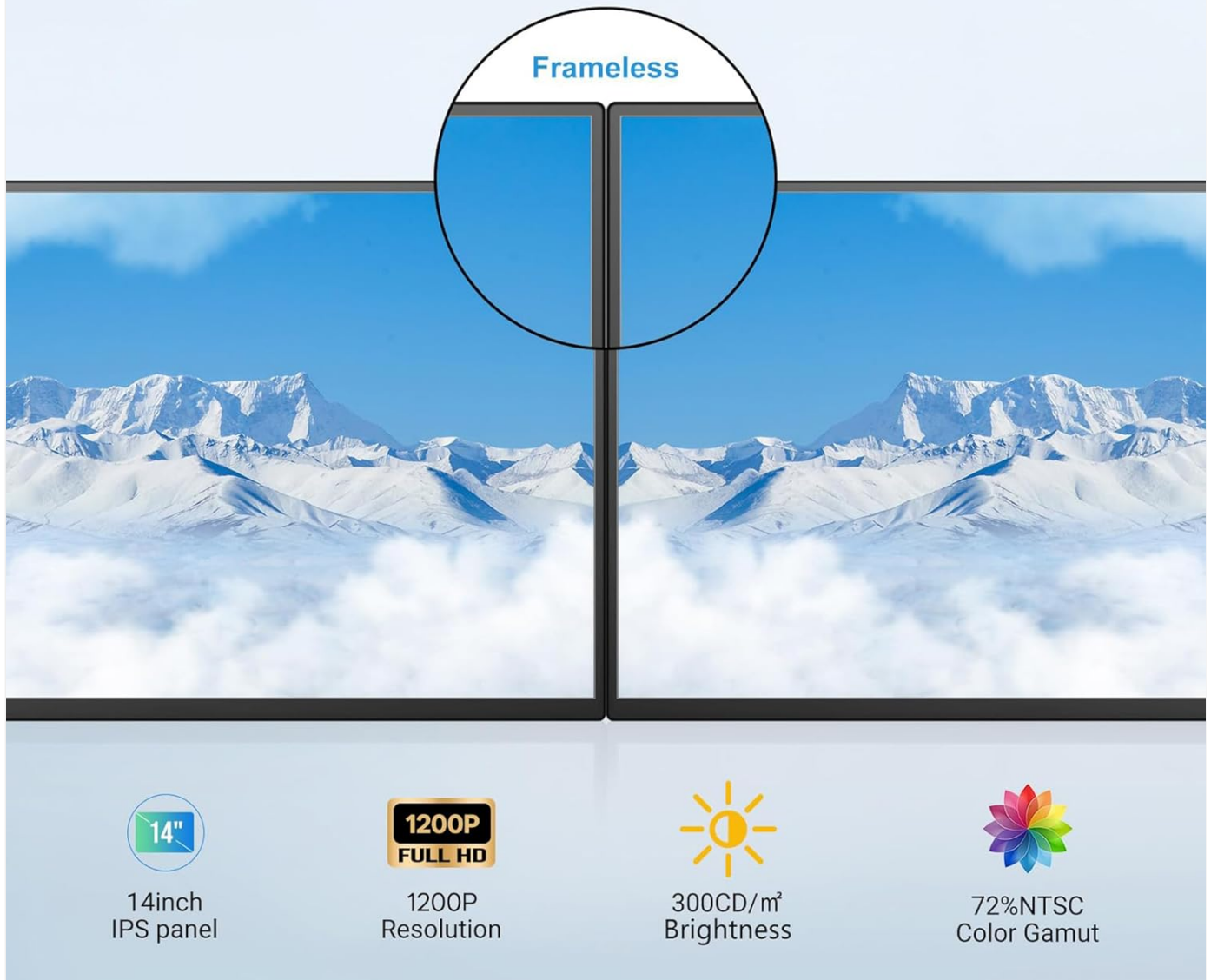


Image: Depiction of the screen extender being used in different environments like home office, business travel, and gaming.

5. MAINTENANCE

Proper care and maintenance will ensure the longevity of your DEPGI screen extender.

- **Cleaning:** Use a soft, lint-free cloth to gently wipe the screen surfaces. Avoid abrasive cleaners or sprays directly on the screens.
- **Storage:** When not in use, fold the extender and store it in the provided handbag to protect it from dust and scratches.
- **Portability:** The foldable stand and handbag make the extender ideal for frequent travelers. Always ensure the device is securely packed before transport.

Boost Productivity up to 200%



Image: The screen extender being prepared for travel, highlighting its compact design and included carrying bag.

6. TROUBLESHOOTING

If you encounter issues with your DEPGI screen extender, please refer to the following common solutions:

- **Only One Screen Displaying, Flickering, or Black Screen:** This often indicates insufficient power from the laptop. Connect an additional power source to the screen extender. Ensure your laptop is also plugged into its power adapter.
- **macOS Driver Issues:** If the screens are not recognized on macOS, ensure you have manually installed the driver using the provided USB disk drive. If issues persist, try reinstalling the driver or checking for updated versions on the DEPGI support website.
- **Windows Driver Issues:** While Windows typically installs drivers automatically, if you experience problems, check your system settings for display and driver status. Ensure Windows Update is active.
- **Connection Problems:** Verify that all cables are securely connected. Try unplugging and re-plugging the cables. If using a USB-A connection, ensure both signal and power cables are correctly attached.

For a detailed troubleshooting flowchart, please consult the visual guide below:



Image: A flowchart providing quick installation and troubleshooting guidance for both Windows and macOS users.

7. SPECIFICATIONS

Product Dimensions	14.8 x 3.7 x 9.1 inches
Item Weight	4.4 pounds
Manufacturer	DEPGI
Item Model Number	DE141NB
Standing Screen Display Size	14 Inches
Aspect Ratio	16:10
Voltage	12 Volts
Resolution	1920 x 1200 Pixels (1200P FHD)
Screen Surface Description	Glossy

Widely Used



Image: Key display specifications of the DEPGI screen extender.

8. WARRANTY AND SUPPORT

For any questions or support needs regarding your DEPGI 14-inch Portable Dual Laptop Screen Extender, please contact DEPGI customer service. We aim to reply within 24 hours.

Specific warranty details are not provided in this manual. Please refer to the product packaging or the official DEPGI website for comprehensive warranty information.

