

## FORGING MOUNT HY9107-B

# FORGING MOUNT Rotating TV Wall Mount HY9107-B Instruction Manual

Brand: FORGING MOUNT | Model: HY9107-B

## 1. INTRODUCTION

---

This manual provides detailed instructions for the safe and proper installation, operation, and maintenance of your FORGING MOUNT Rotating TV Wall Mount HY9107-B. Please read all instructions carefully before beginning installation to ensure correct setup and to prevent damage or injury.

## 2. SAFETY INFORMATION

---

**WARNING: Failure to read and follow these instructions may result in serious personal injury, property damage, or voiding of your warranty.**

- Ensure the mounting surface can safely support the combined weight of the mount and your TV.
- Do not exceed the maximum weight capacity of 55 lbs (25 kg).
- This mount is designed for installation on wood studs, solid concrete walls, or brick walls. **Do not install into drywall alone.**
- Always use a stud finder to locate wood studs accurately.
- If you are unsure about the installation process, consult a qualified professional installer.
- Keep children and pets away during installation.

## 3. PACKAGE CONTENTS

---

Verify that all components are present and undamaged before installation. If any parts are missing or defective, contact FORGING MOUNT customer service.

# Wide Compatibility



Solid Concrete wall  
(Anchors Included)



Single Stud



Brick wall  
(Anchors Included)



Do not install it in drywall alone!



Max load :  
**(25KG)**

## Applicable VESA Patterns:

300x300	300x200	300x100
200x200	200x100	100x300
100x200	100x100	75x75

Image: Overview of all included components for the TV wall mount.

### Mount Components:

- Wall Plate Assembly
- TV Bracket Arms (4 pieces)

### Hardware Kit:



Image: Various screws, washers, and spacers provided for different TV models and wall types.

- Various TV Screws (M4, M6, M8)
- Washers and Spacers
- Lag Bolts (for wall mounting)
- Concrete Anchors (for concrete/brick walls)

#### **4. TOOLS REQUIRED (NOT INCLUDED)**

- Phillips Screwdriver
- Electric Drill

- Bubble Level
- Pencil
- Stud Finder (essential for wood stud installation)

## 5. SPECIFICATIONS

Feature	Specification
TV Size Compatibility	13-49 inches
Weight Capacity	Up to 55 lbs (25 kg)
VESA Compatibility	75x75mm to 300x300mm (e.g., 75x75, 100x100, 100x200, 200x200, 200x300, 300x300)
Movement Type	Rotate (Landscape to Portrait), Swivel, Tilt, Extend/Retract
Wall Distance (Retracted)	2.36 inches
Wall Distance (Extended)	Up to 5.3 inches
Material	Alloy Steel

# Bring Your TV Closer



Image: Common VESA patterns supported by the mount, showing horizontal and vertical measurements.

## 6. SETUP AND INSTALLATION

Follow these steps for a secure installation. It is recommended to have two people for TV mounting.

### Step 1: Prepare the Wall

1. **Locate Mounting Position:** Determine the desired height and center of your TV. Use a stud finder to locate the center of a wood stud for wood stud installation. For concrete or brick walls, ensure the chosen location is solid.
2. **Mark Drilling Points:** Hold the wall plate assembly against the wall at the desired height and use a

pencil to mark the drilling points. Use a bubble level to ensure the marks are perfectly horizontal.

### 3. Drill Pilot Holes:

- For Wood Studs: Drill pilot holes using a 3/16" (4.5mm) drill bit to a depth of 2.2" (55mm).
- For Concrete/Brick Walls: Drill pilot holes using a 3/8" (10mm) drill bit to a depth of 2.4" (60mm). Insert concrete anchors into the drilled holes.

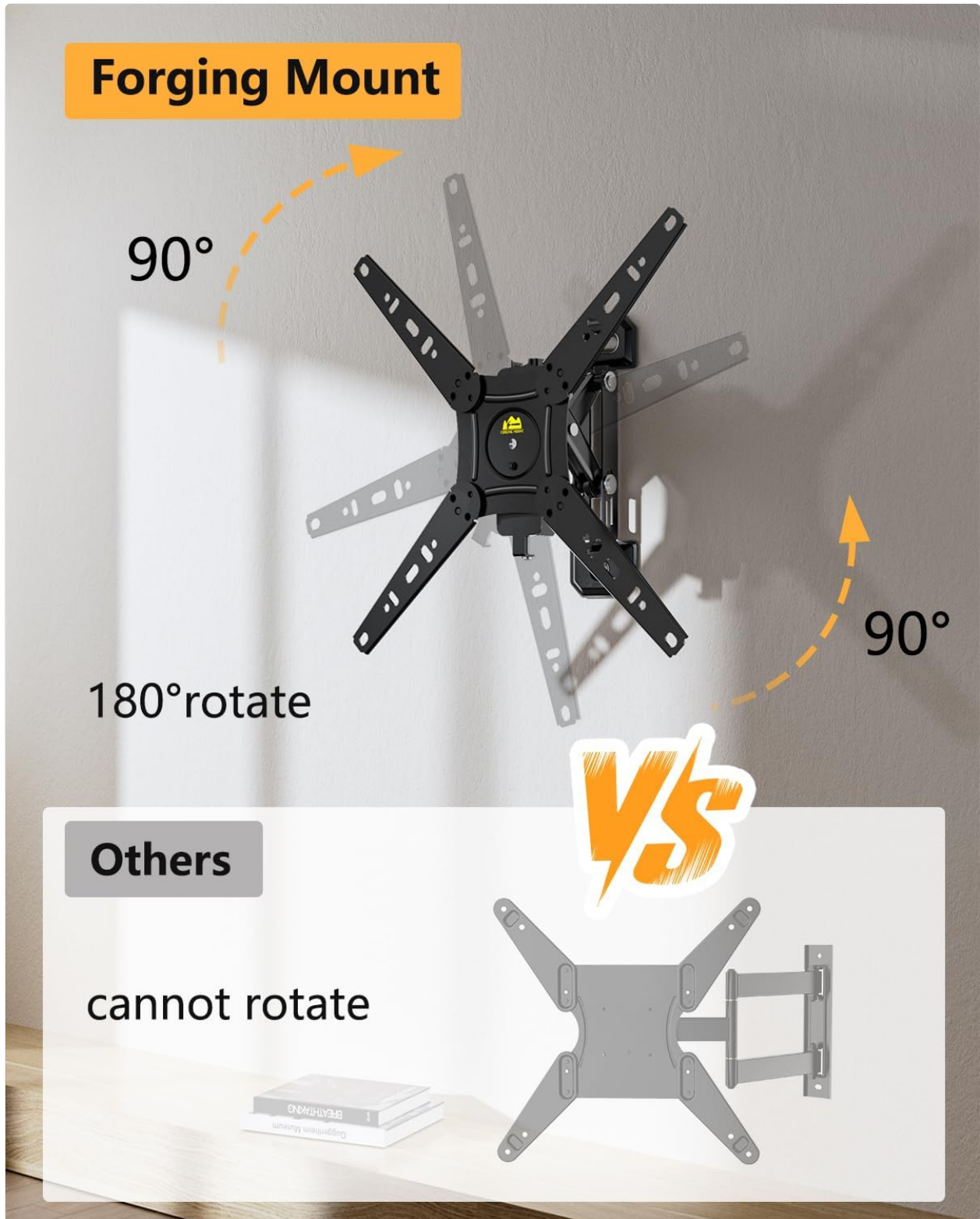


Image: Illustration of compatible wall types for installation: solid concrete, single wood stud, and brick wall. Note: Do not install in drywall alone.

### Step 2: Install the Wall Plate Assembly

4. Align the wall plate assembly with the drilled holes. Attach it to the wall using the appropriate lag bolts

and washers for your wall type. Tighten securely with a wrench.

Your browser does not support the video tag.

Video: This video demonstrates the installation process of a full motion TV wall mount, including wall preparation, attaching the wall plate, and securing the TV. It highlights the mount's ability to rotate between portrait and landscape orientations.

### Step 3: Attach TV Brackets to TV

5. Lay your TV face down on a soft, clean surface to prevent scratches.
6. Attach the TV bracket arms to the back of your TV using the appropriate screws, washers, and spacers from the hardware kit. Ensure they are securely fastened.

### Step 4: Hang TV on Mount

7. Carefully lift the TV and hook the attached TV brackets onto the wall plate assembly. Ensure the TV is securely seated on the mount.
8. Tighten any safety screws or locking mechanisms on the TV brackets to prevent accidental dislodgement.

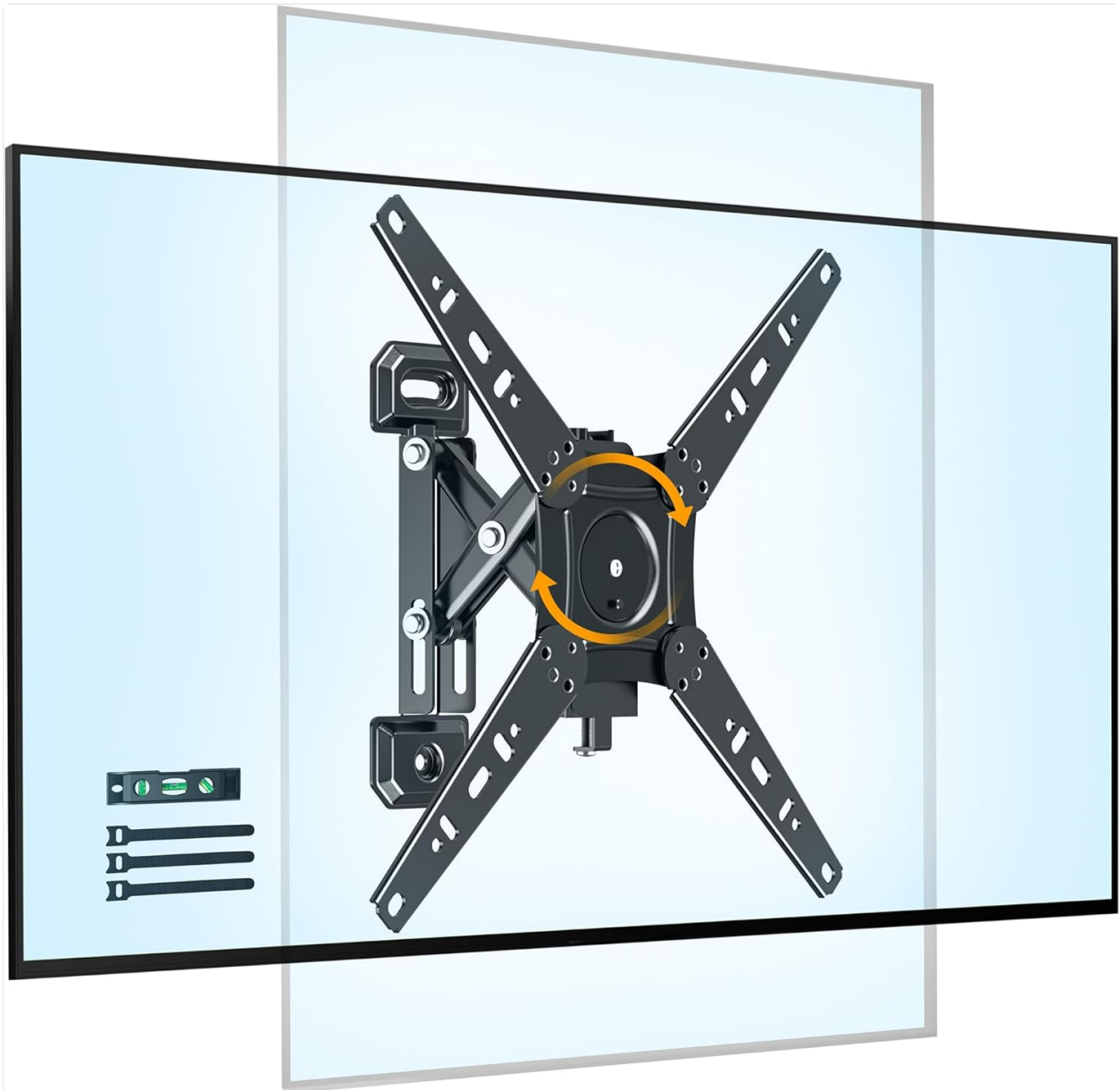


Image: The FORGING MOUNT TV Wall Mount with a television securely attached, demonstrating its full motion capabilities.

## 7. OPERATING INSTRUCTIONS

### **Rotation (Landscape to Portrait)**

This mount allows for easy 90-degree rotation to switch your TV between landscape and portrait orientations. Gently rotate the TV to your desired orientation.



Image: A user demonstrating the 90-degree rotation feature of the TV mount, switching the display from horizontal to vertical.

### **Extension and Retraction**

The mount can extend up to 5.3 inches from the wall and retract to a minimum of 2.36 inches. Gently pull or push the TV to adjust the distance from the wall.

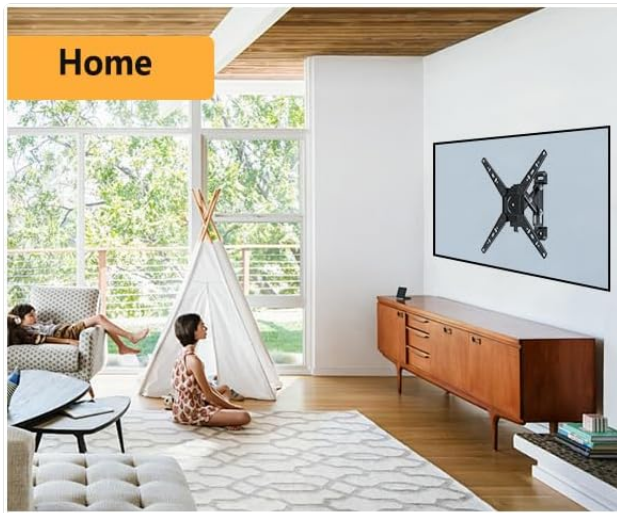


Image: An illustration detailing the mount's ability to retract to 2.36 inches and extend up to 5.3 inches from the wall, optimizing space and viewing angles.

### Swivel and Tilt

The mount offers swivel and tilt capabilities for optimal viewing angles. Adjust the TV horizontally (swivel) or vertically (tilt) as needed. The mount allows for easy cable access even when retracted.

# Support seamless rotating between landscape and vertical TV



Image: A visual comparison highlighting the FORGING MOUNT's design for easy cable access behind the TV, contrasting with other mounts that make cable management difficult.

## 8. MAINTENANCE

- Periodically check all screws and bolts to ensure they remain tight. Retighten if necessary.
- Clean the mount with a soft, dry cloth. Avoid abrasive cleaners or solvents.
- Ensure smooth movement of the articulating arms. If movement becomes stiff, apply a small amount of silicone-based lubricant to the joints.

## 9. TROUBLESHOOTING

**Issue: TV does not stop at desired position during rotation.**

**Solution:** Adjust the two side screws on the rotation mechanism alternately using the provided tools until the desired tension is achieved. Refer to the detailed graphical installation guide for visual assistance.

## **10. WARRANTY AND SUPPORT**

---

For warranty information or technical support, please refer to the product packaging or contact FORGING MOUNT customer service directly. Keep your purchase receipt for warranty claims.