

Manuals+

[Q & A](#) | [Deep Search](#) | [Upload](#)

Manuals.plus /

› [GoAssemb](#) /

› GoAssemb MOC-149250 Air Helicopter Building Blocks Set Instruction Manual

GoAssemb MOC-149250

GoAssemb MOC-149250 Air Helicopter Building Blocks Set Instruction Manual

Model: MOC-149250 | Brand: GoAssemb

1. INTRODUCTION

This instruction manual provides comprehensive guidance for the assembly, display, and care of your GoAssemb MOC-149250 Air Helicopter Building Blocks Set. This model is designed for adult builders and offers a detailed and engaging construction experience, resulting in a collectible display piece.

The set includes 1039 premium quality pieces made from eco-friendly ABS material, ensuring a smooth and safe building process. Upon completion, the model serves as an impressive display item for home or office.

2. UNPACKING AND INCLUDED COMPONENTS

Carefully unpack all contents from the box. Verify that all components are present before beginning assembly. The set includes:

- 1039 building block pieces
- Instruction Manual (digital via QR code)
- Display stand components

Inspect all bags of pieces to ensure no parts are missing or damaged. If any components are missing or defective, please refer to the "Warranty and Support" section for assistance.

3. ASSEMBLY INSTRUCTIONS

The detailed assembly instructions for the MOC-149250 Air Helicopter model are provided digitally. For environmental protection and ease of access, please scan the QR code located on the packaging or included leaflet with your mobile phone to access the step-by-step guide.

Follow the instructions carefully, paying close attention to the diagrams and piece identification. Organize your pieces by type and color to streamline the building process. Take your time and enjoy the assembly experience.



Image 1: Side view of the assembled GoAssemb MOC-149250 Air Helicopter model.



Image 2: Front view of the assembled GoAssemb MOC-149250 Air Helicopter model.

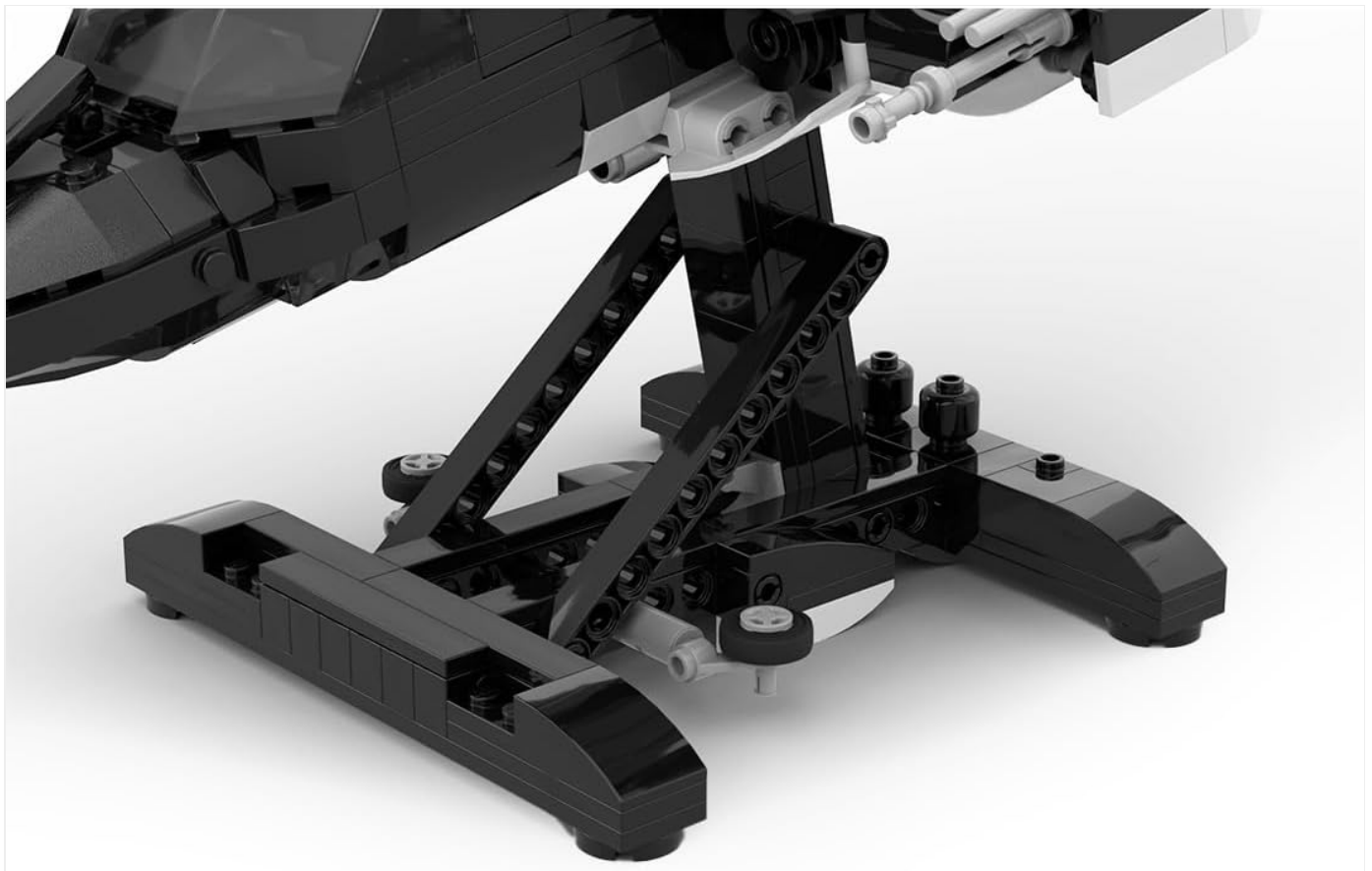


Image 3: Close-up of the sturdy display stand for the helicopter model.

4. OPERATING AND DISPLAY

Once assembled, the MOC-149250 Air Helicopter is designed as a static display model. It is not intended for flight or rough play. The included display stand provides a stable base for showcasing your completed model.

- **Placement:** Choose a stable, flat surface away from direct sunlight, extreme temperatures, and high humidity to prevent material degradation.
- **Handling:** When moving the model, support it from the base or main body to avoid stressing delicate parts.
- **Interaction:** While durable, excessive force or dropping the model can cause pieces to detach or break.

STURDY DISPLAY STAND

The model helicopter can be displayed on the stable and easy taken down for playing with



Image 4: The MOC-149250 helicopter model displayed on its sturdy stand.

5. MAINTENANCE

To maintain the appearance and integrity of your GoAssemb MOC-149250 model, follow these simple maintenance guidelines:

- **Cleaning:** Dust the model regularly with a soft, dry cloth or a soft-bristled brush. For more stubborn dirt, a slightly damp cloth can be used, but avoid excessive moisture.
- **Avoid Chemicals:** Do not use harsh chemicals, abrasive cleaners, or solvents, as these can damage the plastic material and printed elements.
- **Storage:** If disassembling for storage, keep pieces organized in sealed bags to prevent loss and protect them from dust. Store in a cool, dry place.

6. TROUBLESHOOTING

This section addresses common issues you might encounter during or after assembly.

6.1 Missing Pieces

If you discover missing pieces during assembly:

1. Double-check all packaging, including empty bags and the box, as small pieces can sometimes be overlooked.
2. Refer to the "Warranty and Support" section for information on how to contact customer service for replacement parts.

6.2 Difficulty Connecting Pieces

Ensure you are using the correct pieces as indicated in the digital instructions. Some connections may require firm but gentle pressure. Avoid forcing pieces together, as this can cause damage.

6.3 Model Instability

If the model feels unstable, re-examine the connections in the affected areas, particularly the base and structural supports. Ensure all pieces are fully seated and connected according to the instructions.

7. SPECIFICATIONS

| | |
|------------------------------------|-----------------------------------------------------------|
| Model Name | MOC-149250 Air Helicopter |
| Brand | GoAssemb |
| Model Number | 414J7SDNL3274T6Y0 |
| Number of Pieces | 1039 |
| Material Type | Acrylonitrile Butadiene Styrene (ABS) |
| Item Dimensions (L x W x H) | 12.44 x 8.5 x 4.17 inches (approx. 31.6 x 21.6 x 10.6 cm) |
| Item Weight | 1.19 Kilograms |
| Recommended Age | 16+ years |
| Educational Objective | Creative Thinking |



Image 5: Approximate dimensions of the assembled MOC-149250 Air Helicopter model.

8. WARRANTY AND SUPPORT

GoAssemb provides a 100% Quality Guarantee for this product. If you encounter any issues with your MOC-149250 Air Helicopter Building Blocks Set, including missing parts or manufacturing defects, please contact our customer support team.

Our customer support team is dedicated to providing the best service and will assist you as soon as possible. Please have

your product model number (MOC-149250 or 414J7SDNL3274T6Y0) and details of the issue ready when contacting support.

For contact information, please refer to the packaging or the official GoAssemb website.

