



[Manuals.plus](#) /

> [TOSHIBA](#) /

> TOSHIBA ML-EM09PA(BS) 0.9 Cu. Ft. Microwave Oven User Manual

TOSHIBA ML-EM09PA(BS)

TOSHIBA ML-EM09PA(BS) 0.9 Cu. Ft. Microwave Oven User Manual

Model: ML-EM09PA(BS)

[Information](#) [Setup](#) [Operation](#) [Introduction](#) [Safety](#) [Maintenance](#) [Troubleshooting](#) [Specifications](#) [Support](#)

1. INTRODUCTION

Thank you for purchasing the TOSHIBA ML-EM09PA(BS) 0.9 Cu. Ft. Microwave Oven. This manual provides essential information for the safe and efficient use of your new appliance. Please read it thoroughly before operation and retain it for future reference.



Image: Front view of the TOSHIBA ML-EM09PA(BS) 0.9 Cu. Ft. Microwave Oven, showcasing its black stainless steel finish and control panel.

2. IMPORTANT SAFETY INFORMATION

Always follow basic safety precautions when using electrical appliances to reduce the risk of burns, electric shock, fire, injury to persons, or exposure to excessive microwave energy.

- **Read all instructions before use.**
- Do not attempt to operate this oven with the door open or if the door is damaged.
- Do not heat liquids or other foods in sealed containers as they are liable to explode.
- Regularly clean the oven cavity, door, and seals.
- This appliance is not intended for use by persons (including children) with reduced physical, sensory or mental capabilities, or lack of experience and knowledge, unless they have been given supervision or instruction concerning use of the appliance by a person responsible for their safety.

2.1 Two-Step Child Lock

This microwave features a mandatory two-step child lock for safety. This prevents unintended operation, especially by children. To activate or deactivate the child lock, refer to the specific instructions in the 'Operating Instructions' section.



MANDATORY TWO-STEP CHILD LOCK

Due to changes in the applicable third-party safety standard, all manufacturers are required to add this two-step child lock safety feature to all countertop microwaves sold in the USA or Canada to comply with the standard.

TOSHIBA



Image: A child reaching towards a microwave, with a graphic overlay indicating the child lock feature, emphasizing safety.

3. SETUP AND INSTALLATION

3.1 Unpacking

Carefully remove the microwave oven and all materials from the carton. Check for any damage such as dents or a broken door. Do not operate the oven if it is damaged. Contact customer service for assistance.

3.2 Placement

Place the oven on a flat, stable surface that can support its weight and the heaviest food likely to be cooked in it. Ensure adequate ventilation by leaving at least 3 inches of space around the sides and back, and 12 inches above the oven. Do not block air vents.

COMPACT SIZE WITH LARGE CAPACITY

Fits a 10-inch pizza



Image: A diagram illustrating the external dimensions (18.7"W x 14.7"D x 10.7"H) and internal dimensions (12.1"W x 10.9"D x 7.6"H) of the microwave, indicating it fits a 10-inch pizza.

3.3 Turntable Assembly

Place the roller ring in the center of the oven cavity. Position the glass turntable securely on top of the roller ring. Ensure the turntable rotates freely.

4. OPERATING INSTRUCTIONS

4.1 Basic Cooking (Time Cook)

1. Place food in the microwave-safe container on the turntable.
2. Close the oven door.
3. Press the "Time Cook" button.
4. Use the number pad to enter the desired cooking time.

5. Press "Start" to begin cooking.

4.2 One-Touch Start

For quick cooking at full power, press any number from 1 to 6 to instantly start cooking for that many minutes. For example, pressing "1" will cook for 1 minute. You can also press the "Start/+30Sec." button to add 30 seconds of cooking time at full power.



Image: A hand pressing the 'Start/+30Sec.' button on the microwave's control panel, illustrating the one-touch start feature.

4.3 Auto Menus (Quick Touch Presets)

The microwave features 6 preset menus for common foods:

- **Popcorn:** For various popcorn bag sizes.
- **Potato:** For baking potatoes.
- **Pizza:** For reheating pizza slices or small frozen pizzas.
- **Frozen Vegetable:** For cooking frozen vegetables.

- **Beverage:** For heating drinks.
- **Dinner Plate:** For reheating a dinner plate.

To use an auto menu:

1. Place food in the oven.
2. Press the desired auto menu button (e.g., "Popcorn").
3. Press "Start" to begin. Some menus may require selecting quantity (e.g., for popcorn, select ounces).

EFFORTLESS COOKING WITH 6 AUTO MENUS

Enjoy easy and convenient cooking with 6 auto menus



Image: The microwave's control panel with illustrations of food items like popcorn, pizza, and beverages, demonstrating the 6 auto menu options.

4.4 Power Levels

This microwave offers 11 unique power levels for precise cooking. To adjust the power level:

1. Press "Time Cook" and enter cooking time.
2. Press "Power Level".

3. Use the number pad to select a power level from 0 (0%) to 9 (90%) or 10 (100%).

4. Press "Start".

Examples of power level usage:

- **100% (P10):** Heating Liquids
- **90% (P9):** Heat Soups & Stews
- **80% (P8):** Main Course Reheat
- **70% (P7):** Cook Vegetables
- **60% (P6):** Slow Cook
- **50% (P5):** Soften Butter
- **40% (P4):** Restore Crispness
- **30% (P3):** Defrost Meat
- **20% (P2):** Soften Ice Cream
- **10% (P1):** Keep Warm
- **0% (P0):** Deodorization

11 POWER LEVELS FOR MULTIPLE DISHES

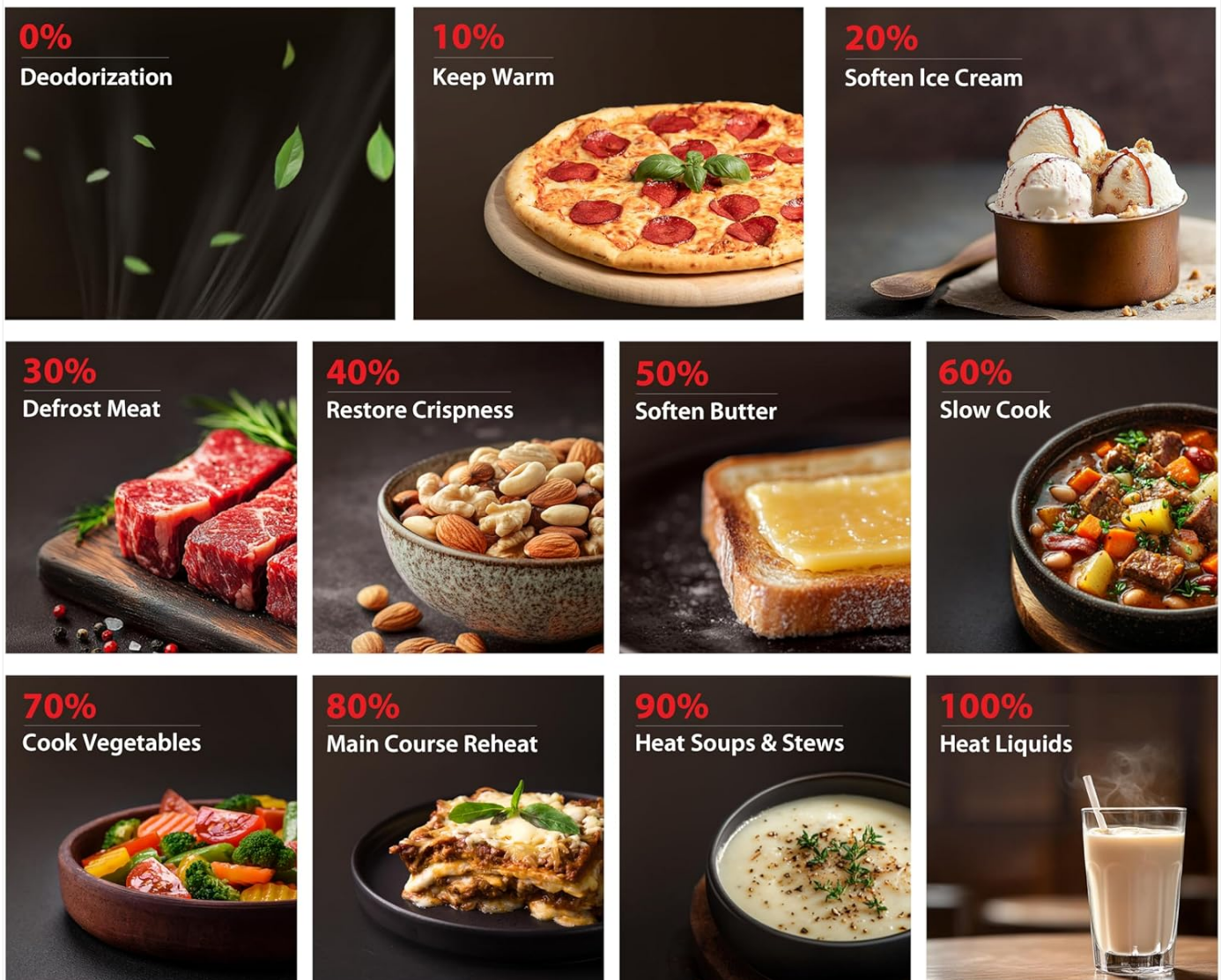


Image: A visual guide illustrating 11 power levels and their suggested uses, from deodorization to heating liquids, with corresponding food examples.

4.5 Defrost Function

The microwave offers two defrost options: Defrost by Weight and Defrost by Time.

- **Weight Defrost:** Press "Weight Defrost", enter the weight of the food using the number pad, then press "Start".
- **Time Defrost:** Press "Time Defrost", enter the desired defrosting time, then press "Start".



Image: A large piece of meat on a plate, showing a clear line between frozen and defrosted sections, demonstrating the microwave's easy defrost capability.

4.6 Mute Function

To silence the beeping sound that signals the end of cooking or button presses, press and hold the "8" button for 3-5 seconds. The buzzer will automatically switch off after a long beep. Repeat the process to reactivate the sound.



Image: The microwave's control panel highlighting the mute function (On/Off), memory setting, and quick start button, with a sleeping child in the background to emphasize quiet operation.

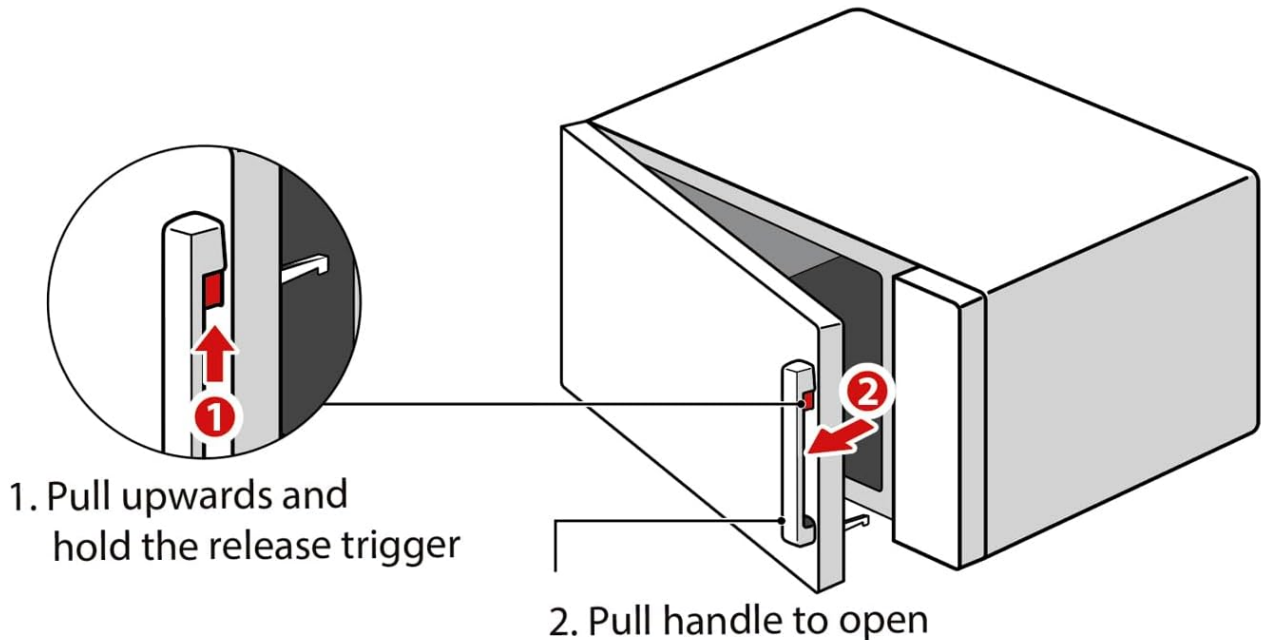
4.7 Child Lock Operation

To open the microwave door, a two-step process is required due to safety standards:

1. Pull upwards and hold the release trigger located on the door handle.
2. While holding the trigger, pull the handle to open the door.

HOW TO OPEN THE DOOR

Due to changes in the applicable third-party safety standard, all manufacturers are required to add this two-step child lock safety feature to all countertop microwaves sold in the USA or Canada to comply with the standard.



TOSHIBA

Image: A diagram detailing the two-step door opening mechanism, which involves pulling up a release trigger and then pulling the handle, designed for child safety.

5. CARE AND MAINTENANCE

5.1 Cleaning the Oven Interior

After each use, wipe the interior with a damp cloth to prevent food splatters from drying. For stubborn stains, use a mild detergent or microwave-safe cleaner. Do not use abrasive cleaners or scouring pads.

5.2 Cleaning the Oven Exterior

Wipe the exterior surfaces with a soft, damp cloth. Avoid getting water into the ventilation openings. Keep the control panel clean by wiping with a damp cloth and drying thoroughly.

5.3 Turntable and Roller Ring

The glass turntable and roller ring can be washed in warm soapy water or in a dishwasher. Ensure they are completely dry before placing them back in the oven.

6. TROUBLESHOOTING GUIDE

Problem	Possible Cause	Solution
Oven will not start	Door not closed properly; Power cord unplugged; Fuse blown or circuit breaker tripped.	Ensure door is securely closed; Check power cord connection; Check household fuse or reset circuit breaker.
Food not heating	Incorrect cooking time/power level; Door not closed properly.	Adjust cooking time/power level; Ensure door is securely closed.
Turntable not rotating	Turntable or roller ring not positioned correctly; Debris under turntable.	Reposition turntable and roller ring; Clean under the turntable.
Oven light not working	Bulb needs replacement.	Contact qualified service personnel for bulb replacement.
Excessive noise during operation	Turntable or roller ring not positioned correctly; Food container touching oven walls.	Reposition turntable/roller ring; Ensure food container is centered and not touching walls.

7. PRODUCT SPECIFICATIONS

- **Model:** ML-EM09PA(BS)
- **Capacity:** 0.9 Cubic Feet
- **Microwave Output Power:** 900 Watts
- **Input Power:** 1400 Watts
- **External Dimensions (WxDxH):** 18.7 x 14.7 x 10.7 inches
- **Internal Dimensions (WxDxH):** 12.1 x 10.9 x 7.6 inches
- **Turntable Diameter:** 10.6 inches
- **Item Weight:** 24.9 pounds
- **Voltage:** 120 Volts (AC)
- **Color:** Black Stainless Steel
- **Special Features:** Child Safety Lock, Control Panel Lock, Defrost, One Touch Button, Timer, 6 Auto Menus, 11 Power Levels, Mute Function, LED Lighting.
- **Included Components:** Glass Turntable, Manual Instruction, Microwave Oven

8. WARRANTY AND CUSTOMER SUPPORT

8.1 Warranty Information

Your TOSHIBA ML-EM09PA(BS) Microwave Oven is covered by a manufacturer's warranty. Please refer to the warranty card included with your product for specific terms and conditions, including coverage duration and limitations. Keep your purchase receipt as proof of purchase.

8.2 Customer Support

For technical assistance, troubleshooting beyond this manual, or warranty claims, please contact TOSHIBA customer support. You can typically find contact information on the TOSHIBA official website or on the product packaging. Online resources may also be available at the [TOSHIBA Kitchen Store on Amazon](#).

