

## HERTZ CP-4.800

# Hertz CP 4.800 Cento 4-Channel Power Amplifier

MODEL: CP-4.800

Instruction Manual

## 1. Product Overview

The Hertz CENTO POWER CP 4.800 is a 4-channel power amplifier designed to enhance your car audio system. It features Hi-Res Audio certification, providing a frequency response from 10 Hz to 41 kHz for detailed sound reproduction. This amplifier combines a high power-to-size ratio with an efficiency greater than 85%, housed in a durable aluminum diecast case. It offers full Plug & Play connections for straightforward installation and includes advanced crossover filters and bass boost options for sound customization.



Figure 1: Front view of the Hertz CP 4.800 Cento 4-Channel Power Amplifier.

## 2. Key Features

---

- **Hi-Res Audio Certification:** Delivers a frequency response from 10 Hz to 41 kHz for superior sound quality.
- **High Power-to-Size Ratio:** Efficient design with over 85% efficiency in a compact form factor.
- **Durable Construction:** Encased in a robust aluminum diecast case for longevity and heat dissipation.
- **Plug & Play Connections:** Simplifies installation with user-friendly connections.
- **Advanced Sound Customization:** Features advanced crossover filters and bass boost options for tailored audio output.
- **Universal Speaker Simulator (USS):** Allows integration with a wide range of input voltages (1.6V to 40V RMS), compatible with both factory and aftermarket head units.
- **Wide Operating Voltage:** Power supply engineered to handle 9 to 18 Volts, suitable for various vehicle electrical systems, including modern and electric vehicles.

## 3. Setup and Installation

---

The CP 4.800 amplifier is designed for flexible installation. Its compact D-Class technology allows for high output from a small footprint, reducing heat and improving power management, which is beneficial in tight installation spaces. The Universal Speaker Simulator (USS) technology ensures compatibility with a broad range of input voltages, from 1.6V to 40V RMS, allowing seamless integration with both advanced factory head units and aftermarket systems. The power supply supports a voltage range of 9 to 18 Volts, making it suitable for traditional 12V charging systems, modern vehicles with advanced electrical systems, and electric vehicles where voltage can vary significantly. All connections are designed for plug-and-play ease.

# CP 4.800

4-CHANNEL CAR AMPLIFIER  
760 W

COMPACT ENERGY  
INSPIRING DESIGN  
PREMIUM BUILD  
ABSOLUTE RELIABILITY  
THRILLING PERFORMANCE

HIGH-RES AUDIO  
ENGAGING DYNAMICS  
ZERO REAL DISTORTION  
EXTRAORDINARY DETAIL  
FULLY IMMERSIVE SOUND

ULTRA COMPACT  
STRESS-FREE INSTALLATION  
TRUE PLUG & PLAY  
GUARANTEED COMPATIBILITY  
PRO-LEVEL FLEXIBILITY



THE SOUND  
EXPERIENCE

**HERTZ**

Figure 2: Rear panel showing power, input, and speaker output connections.



Figure 3: Exploded view illustrating the amplifier with its wiring harnesses for easy connection.

## 4. Operating the Amplifier

The CP 4.800 offers significant flexibility in its channel configuration. It can operate as a 4-channel amplifier, or be bridged down to a 3-channel or 2-channel setup. It is 2-ohm stable, providing 110 Watts x 4 channels at 4 ohms, or 190 Watts x 4 channels at 2 ohms. When bridged, it can deliver 380 Watts x 2 channels at 4 ohms. This versatility makes it suitable for powering front and rear speakers, or for a 3-way active setup utilizing the mids and highs. The amplifier includes advanced crossover filters and bass boost options, accessible via top-mounted controls, allowing for precise sound tuning.

**DP 4.400**

CHANNEL MODE  
**4 - 3 - 2**

TECHNOLOGY  
**D-Class**

OUTPUT POWER  
**190 W X 4 @2 Ω**

THD  
**0.02 %**

S/N RATIO  
**101 dBA**

THE SOUND EXPERIENCE

**HERTZ**

Figure 4: Top panel controls for adjusting levels, phase, bass boost, and crossover filters.



Figure 5: Detailed view of the top-mounted controls for precise audio adjustments.

## 5. Maintenance

To ensure optimal performance and longevity of your Hertz CP 4.800 amplifier, regular maintenance is recommended. Keep the amplifier clean and free from dust and debris. Ensure adequate ventilation around the unit to prevent overheating. Periodically check all wiring connections for tightness and corrosion. Avoid exposing the amplifier to extreme temperatures or moisture.

## 6. Troubleshooting

If you experience issues with your Hertz CP 4.800 amplifier, consider the following basic troubleshooting steps:

- **No Power:** Check the power connections (+12V, GND, REM) and ensure the fuse is intact. Verify the vehicle's battery voltage is within the 9-18V operating range.
- **No Sound:** Confirm all input (Pre-In/Speaker-In) and speaker output connections are secure. Check the source unit for proper output. Verify amplifier settings, including level and crossover filters.
- **Distorted Sound:** Adjust input gain (Level) to prevent clipping. Check speaker impedance to ensure it matches the amplifier's stable operating range. Inspect speaker wiring for shorts.
- **Overheating:** Ensure the amplifier has sufficient ventilation. Reduce the volume or check for speaker impedance issues that might cause excessive load.

For persistent issues, consult a professional car audio technician.

## 7. Specifications

Specification	Value
Manufacturer	Hertz
Model	CP-4.800

Specification	Value
Brand	HERTZ
Number of Channels	4
Amp Class	D
Nominal Power Supply Voltage (fuse)	11 ÷ 15 VDC (1 x 40 A)
Operating Power Supply Voltage	9 ÷ 18 VDC
Idling Current	1.15 A
Standby Current Draw	4.2 uA
Consumption, MIN load impedance (Max Musical Power)	32 A
Remote IN	4 ÷ 17 VDC (1 mA)
ART - Automatic Remote Turn on/off from SPK-IN (BTL radio only)	1.5 VDC
Efficiency	85%
Distortion - THD @ 100 Hz, 70% Rated Power	0.02 %
Damping Factor @ 1 kHz, 1W	100
Bandwidth @ -3 dB	10 Hz ÷ 47k Hz
S/N Ratio (A-weighted @ 1 V Input)	101 dBA
Minimum Load Impedance @ 4 Ch	2 Ω
Minimum Load Impedance @ 3 Ch	2 Ω + 2 Ω + 4 Ω
Minimum Load Impedance @ 2 Ch	4 Ω
Adjustable Crossovers	Yes
Output Power (RMS) @ 1% THD: 4Ch @ 4Ω	110 W x 4
Output Power (RMS) @ 1% THD: 4Ch @ 2Ω	190 W x 4
Output Power (RMS) @ 1% THD: 3Ch @ 4Ω / 4Ω	100 W x 2 + 400 W x 1
Output Power (RMS) @ 1% THD: 3Ch @ 2Ω / 4Ω	190 W x 2 + 380 W x 1
Output Power (RMS) @ 1% THD: 2Ch @ 4Ω	380 W x 2 (4Ω)
Total Power	760 W
Inputs	Pre-In / Speaker-In
Pre Out	Full Range (Front)
Pre-In Sensitivity	0.32 ÷ 8 VRMS
Speaker-In Sensitivity	1
Mounting Type	Freestanding

Specification	Value
Material Type	Aluminum
Item Weight	5 Pounds
Unit Count	1.0 Count

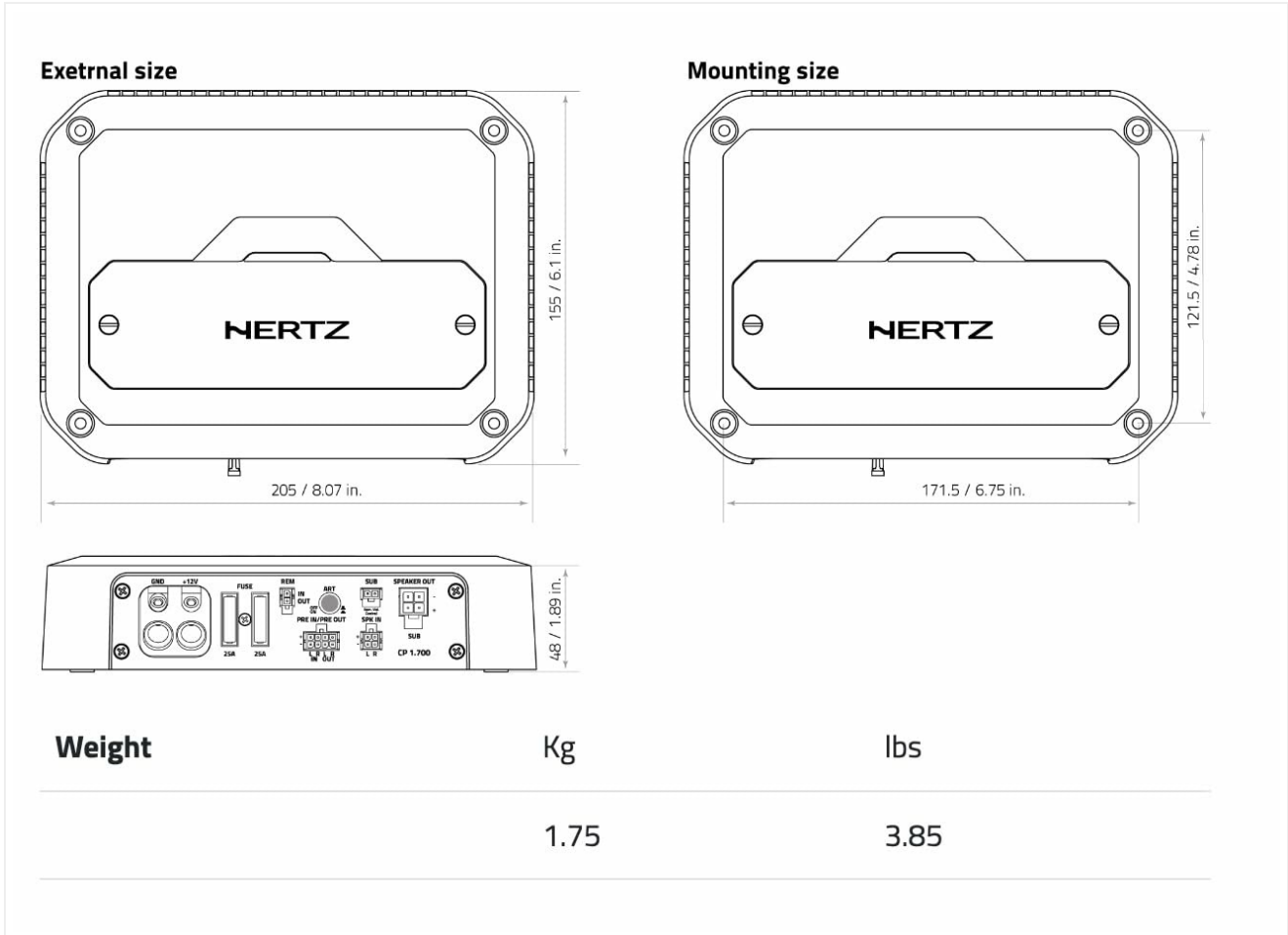


Figure 6: External and mounting dimensions of the CP 4.800 amplifier.

## 8. What's in the Box

- Hertz CP-4.800 Amplifier Unit

## 9. Warranty and Support

The Hertz CP 4.800 Cento 4-Channel Power Amplifier comes with a **1-Year Manufacturer Warranty**. For technical support, service, or warranty claims, please contact your authorized Hertz dealer or visit the official Hertz website for contact information.

## 10. Product Videos

### Hertz Audio CP Series Amplifiers - Product Overview

Your browser does not support the video tag.

This video provides a comprehensive overview of the Hertz CP Series amplifiers, highlighting their features, technology, and benefits

for car audio enthusiasts.

## **Hertz CP 4.800 4-Channel Amplifier - Product Showcase**

Your browser does not support the video tag.

A brief product showcase of the Hertz CP 4.800 4-Channel Amplifier, demonstrating its design and key aspects.