

[Manuals.plus](#) /

> [JJC](#) /

> JJC ND Filter Kit for DJI NEO Drone Instruction Manual

JJC F-NDK4-U3

JJC ND Filter Kit for DJI NEO Drone

Model: F-NDK4-U3

INTRODUCTION

This instruction manual provides comprehensive guidance for the JJC ND Filter Kit, specifically designed for the DJI NEO Drone. This kit includes a selection of high-quality filters (ND8, ND16, ND32, and CPL) engineered to enhance your aerial photography and videography by managing light and reflections effectively. The filters feature a multi-coated optical glass construction and an ultra-lightweight aluminum frame, ensuring optimal performance without impacting drone gimbal operation.



Image: The JJC ND Filter Kit, including the DJI NEO Drone and the four distinct filters (ND8, ND16, ND32, CPL) designed for it.

PRODUCT COMPONENTS

The JJC ND Filter Kit for DJI NEO Drone includes the following items:

- 1 x ND8 Filter
- 1 x ND16 Filter
- 1 x ND32 Filter
- 1 x CPL Filter
- 1 x Moisture-proof Protective Case

Note: The DJI NEO Drone and other accessories are not included with this filter kit.



Specially Designed For DJ. Neo Drone

JJC Filter Set

Includes ND8, ND16, ND32, and CPL Filters



• ND8



• ND16



• ND32



• CPL

Image: A visual representation of the JJC Filter Set, highlighting the individual ND8, ND16, ND32, and CPL filters.

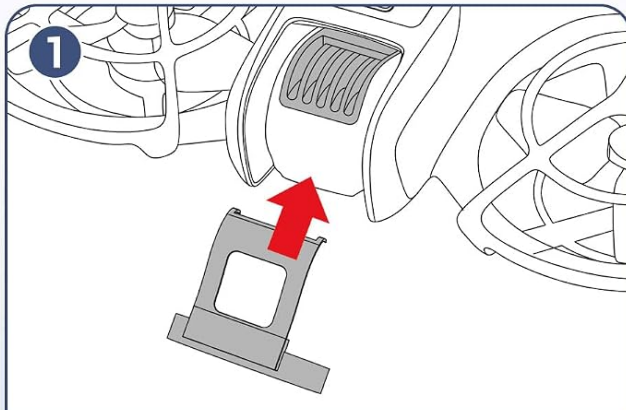
SETUP AND INSTALLATION

The JJC ND filters feature a secure snap-on design for easy and firm attachment to your DJI NEO Drone's gimbal. Follow these steps for proper installation:

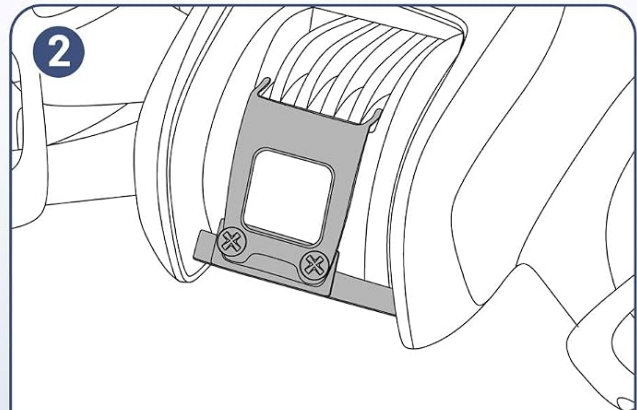
1. **Align the Filter:** Position the filter with the gimbal groove on your DJI NEO Drone.
2. **Insert Tips:** Gently insert the filter tips into the designated groove on the gimbal.
3. **Secure Snap:** Press down on the filter frame until you hear an audible 'click', indicating it is firmly in place.

The slim design of the filters prevents vignetting and does not interfere with the use of the gimbal protector.

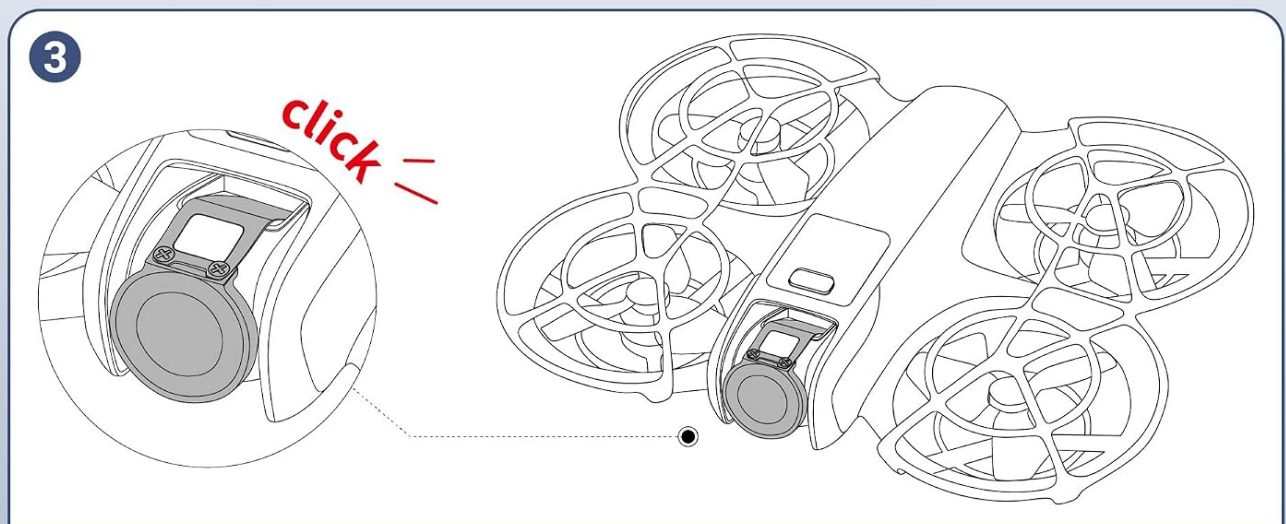
Secure&Easy Snap-On Installation



Align the Filter with the Gimbal Groove



Insert the Filter Tips into the Groove



Press Down the Filter Frame Until You Hear a Click

Image: Step-by-step diagram illustrating the snap-on installation of the filter onto the drone's gimbal, ensuring a secure fit.

OPERATING INSTRUCTIONS

Understanding the function of each filter type will allow you to optimize your drone's camera performance in various lighting conditions.

ND Filters (Neutral Density)

ND filters reduce the amount of light entering the camera lens without altering the color balance. This allows for slower shutter speeds and wider apertures, which are crucial for achieving cinematic motion blur and controlling exposure in bright conditions.

- **ND8 Filter:** Reduces light by 3 stops. Suitable for slightly cloudy days or early morning/late afternoon shots.
- **ND16 Filter:** Reduces light by 4 stops. Ideal for normal bright daylight conditions.
- **ND32 Filter:** Reduces light by 5 stops. Best for very bright conditions, such as sunny days with snow or sand.

ND Filters

Reduce light entering the lens and control exposure
Perfect for bright skies, reflective surfaces, capturing dynamic scenes, etc.

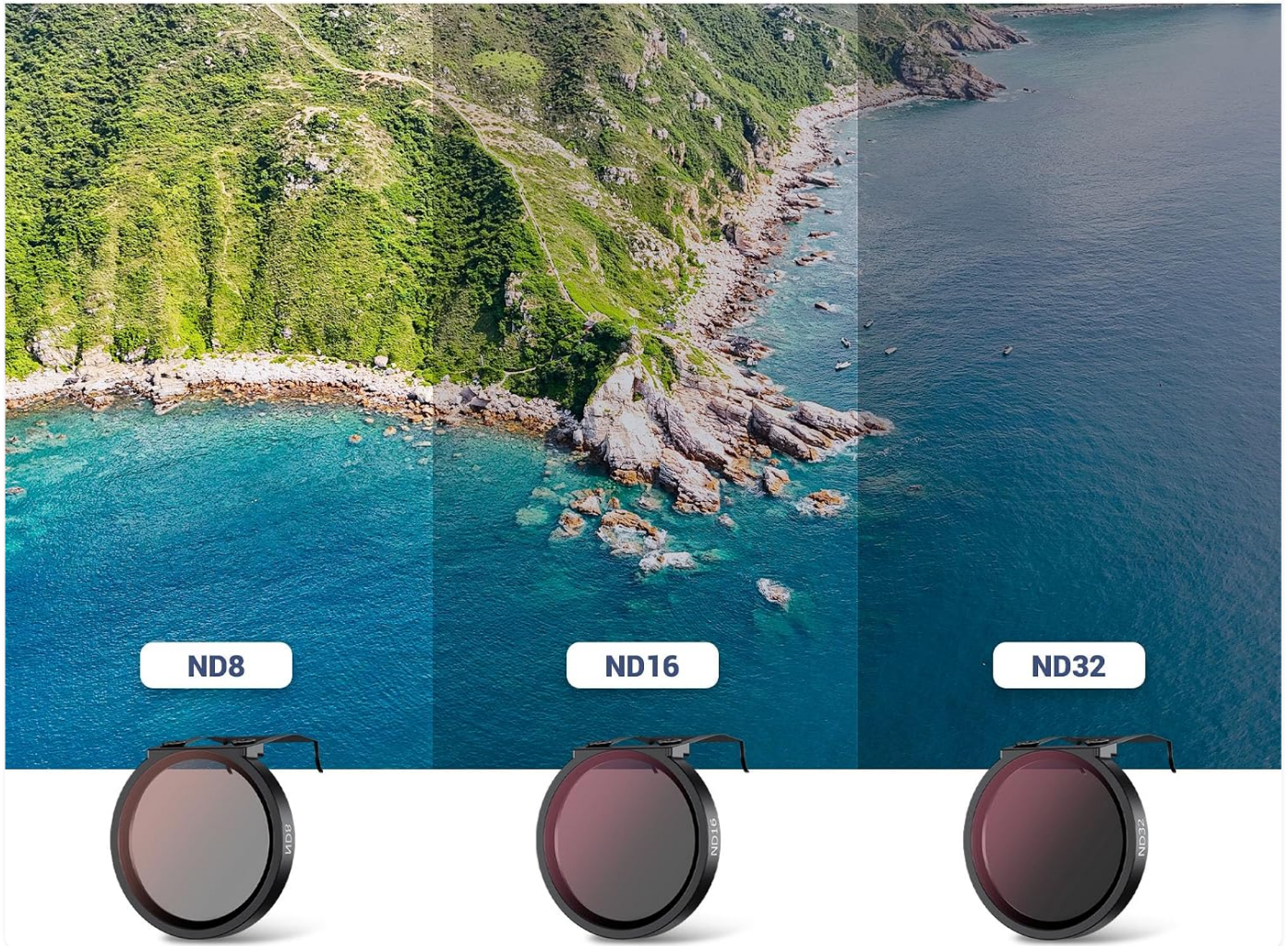


Image: Visual comparison demonstrating the effect of ND8, ND16, and ND32 filters on light reduction and exposure control in aerial footage.

CPL Filter (Circular Polarizer)

The CPL filter is designed to reduce glare and reflections from non-metallic surfaces such as water, glass, and foliage. It also enhances color saturation and contrast, making skies bluer and clouds more defined.

- **Usage:** Rotate the CPL filter while observing the live feed from your drone to achieve the desired polarization effect.



CPL Filter



Reduces glare and reflections, particularly from non-metallic surfaces like water, glass, and the sky



• Without Filter



• With JJC CPL Filter

Image: Side-by-side comparison illustrating the impact of the CPL filter on reducing glare and enhancing colors in a landscape shot.

MAINTENANCE

To ensure the longevity and optimal performance of your JJC ND Filter Kit, follow these maintenance guidelines:

- **Cleaning:** Use a soft, lint-free microfiber cloth specifically designed for optical lenses to gently wipe away dust and smudges. For stubborn marks, a small amount of lens cleaning solution can be applied to the cloth (not directly to the filter).
- **Storage:** Always store the filters in the provided moisture-proof protective case when not in use. This protects them from dust, scratches, and environmental elements.
- **Handling:** Avoid touching the glass surface of the filters directly with your fingers to prevent oil and smudges. Handle them by the aluminum frame.

The filters feature 13 layers of nano-coatings on both sides, making them resistant to dust, water, oil, and scratches, which simplifies cleaning and maintenance.

Dual-Sided 13-Layer Coating



Water-Resistant



Oil-Resistant



Provides Strong Water, Oil and Static Resistance, Suitable for Complicated Shooting Environment



Image: A close-up view of a filter showcasing its dual-sided 13-layer coating, highlighting its water and oil resistance.

TROUBLESHOOTING

If you encounter any issues with your JJC ND Filter Kit, consider the following common troubleshooting steps:

- **Filter Not Fitting Securely:** Ensure the filter is correctly aligned with the gimbal groove and pressed firmly until a 'click' is heard. Check for any debris in the groove that might obstruct proper seating.
- **Poor Image Quality/Vignetting:** Verify that the filter is clean and free from smudges or dust. Ensure the correct filter type is being used for the current lighting conditions. The slim design of these filters is intended to prevent vignetting; if it occurs, re-check installation.
- **Difficulty Removing Filter:** Gently apply pressure to the sides of the filter frame and pull away from the gimbal. Avoid forcing the filter.

For persistent issues not resolved by these steps, please refer to the support section.

SPECIFICATIONS

Feature	Specification
Model Number	F-NDK4-U3
Package Dimensions	3.7 x 3.6 x 0.7 inches
Item Weight	1.6 ounces
Material	Optical Glass, Aluminum Alloy Frame
Coating Description	Multi Coating (13 layers)
Photo Filter Effect Type	Neutral Density, Circular Polarizer
Water Resistance Level	Water Resistant

WARRANTY AND SUPPORT

For information regarding product warranty, returns, or technical support, please refer to the official JJC website or contact their customer service directly. Specific warranty terms and conditions may vary by region and retailer.

You can visit the JJC Store on Amazon for more products and information:[JJC Store](#)