



Manuals.plus /

› BONTANNY /

› BONTANNY Red Light Therapy Stand User Manual

## BONTANNY Red Light Therapy Stand

# BONTANNY Red Light Therapy Stand User Manual

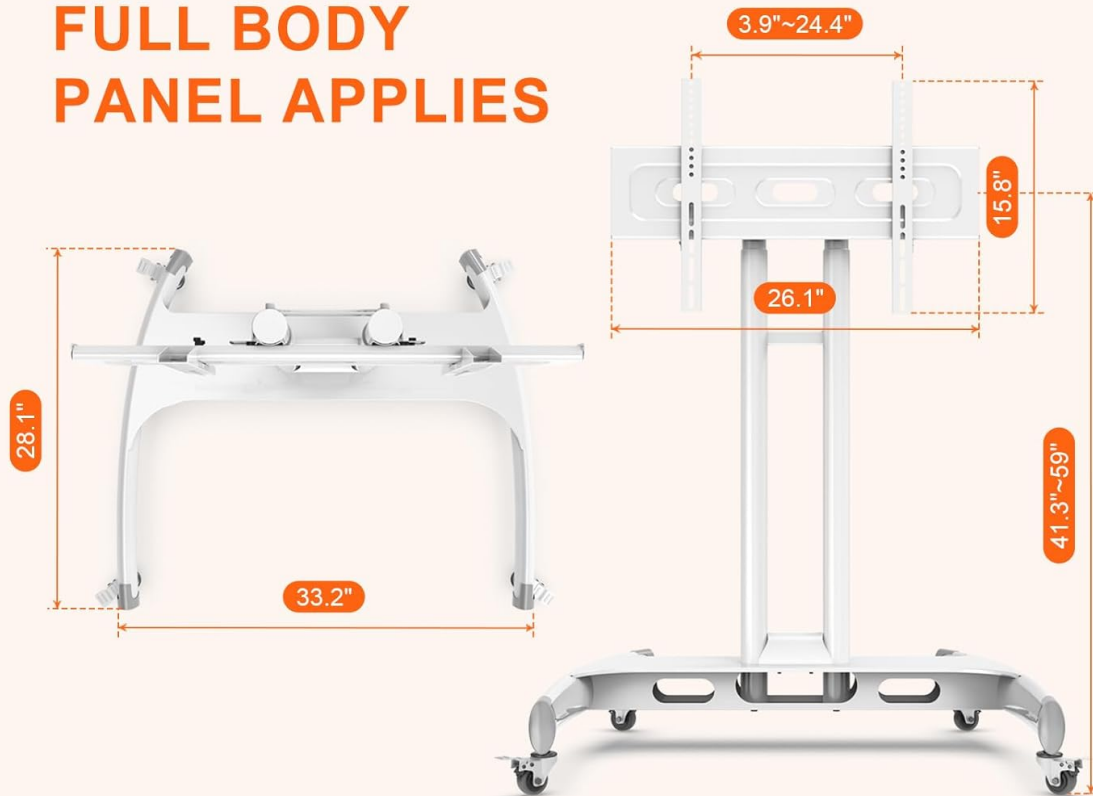
Model: Red Light Therapy Stand

## 1. PRODUCT OVERVIEW

The BONTANNY Red Light Therapy Stand is designed to securely hold BONTANNY 400W-800W infrared therapy panels, allowing for flexible positioning and mobility. This stand is constructed from sturdy metal, ensuring durability and stability during use. It supports both horizontal and vertical panel orientations and features height adjustment for optimal treatment angles. The integrated lockable wheels provide easy movement and secure placement.

**Important: This stand is only compatible with BONTANNY 400W-800W infrared therapy panels. It is not compatible with other brands.**

# ONLY BONTANNY'S FULL BODY PANEL APPLIES



**54.6 lbs**  
Weight

**100 lbs**  
Maximum load  
capacity

**400-800W**  
panel  
Applicable

Image 1: Overview of the BONTANNY Red Light Therapy Stand, showing key dimensions, weight (54.6 lbs), maximum load capacity (100 lbs), and applicable panel wattage (400-800W).

- **Compatibility:** Exclusively for BONTANNY 400W-800W infrared therapy panels.
- **Orientation:** Supports both horizontal and vertical panel mounting.
- **Construction:** Sturdy metal build for long-term reliability.
- **Adjustability:** Features height adjustment for flexible positioning.
- **Mobility:** Equipped with lockable wheels for easy movement and secure placement.

## 2. SAFETY INFORMATION

- Ensure all screws and fasteners are securely tightened before use to prevent instability.
- Do not exceed the maximum load capacity of 100 lbs (45 kg).
- Always engage the wheel locks when the stand is in a desired position to prevent accidental movement.
- Keep hands and fingers clear of moving parts during height adjustment and panel orientation changes.
- Use the stand on a flat, stable surface to avoid tipping.
- This stand is intended for indoor use only.

### 3. SETUP AND ASSEMBLY

---

Follow these step-by-step instructions to assemble your BONTANNY Red Light Therapy Stand. It is recommended to lay out all components on a soft, clean surface before beginning assembly.

Your browser does not support the video tag.

Video 1: Detailed installation steps for the BONTANNY Red Light Therapy Stand.

1. **Unpack Components:** Carefully remove all parts from the packaging and verify against the parts list in your manual.
2. **Attach Casters to Base:** Secure the four lockable wheels (casters) to the main base frame using the provided screws and washers. Ensure they are tightened for stability.
3. **Assemble Vertical Support Columns:** Attach the two vertical support columns to the main base frame using the appropriate bolts and washers. Ensure they are aligned correctly and tightened securely.
4. **Install Horizontal Support Bar:** Connect the horizontal support bar between the two vertical columns at the desired height using the provided hardware. This bar provides additional stability.
5. **Mount VESA Plate to Vertical Columns:** Attach the VESA mounting plate to the top section of the vertical columns. This plate will hold the therapy panel. Use the provided screws and ensure a firm connection.
6. **Attach Side Brackets:** Secure the side brackets to the VESA mounting plate. These brackets will provide additional support and allow for horizontal or vertical panel mounting.
7. **Final Tightening:** Double-check all screws and bolts to ensure they are fully tightened before mounting your therapy panel.

# HORIZONTAL & VERTICAL MOUNTING

Note: Manual operation required for switching between installation methods.

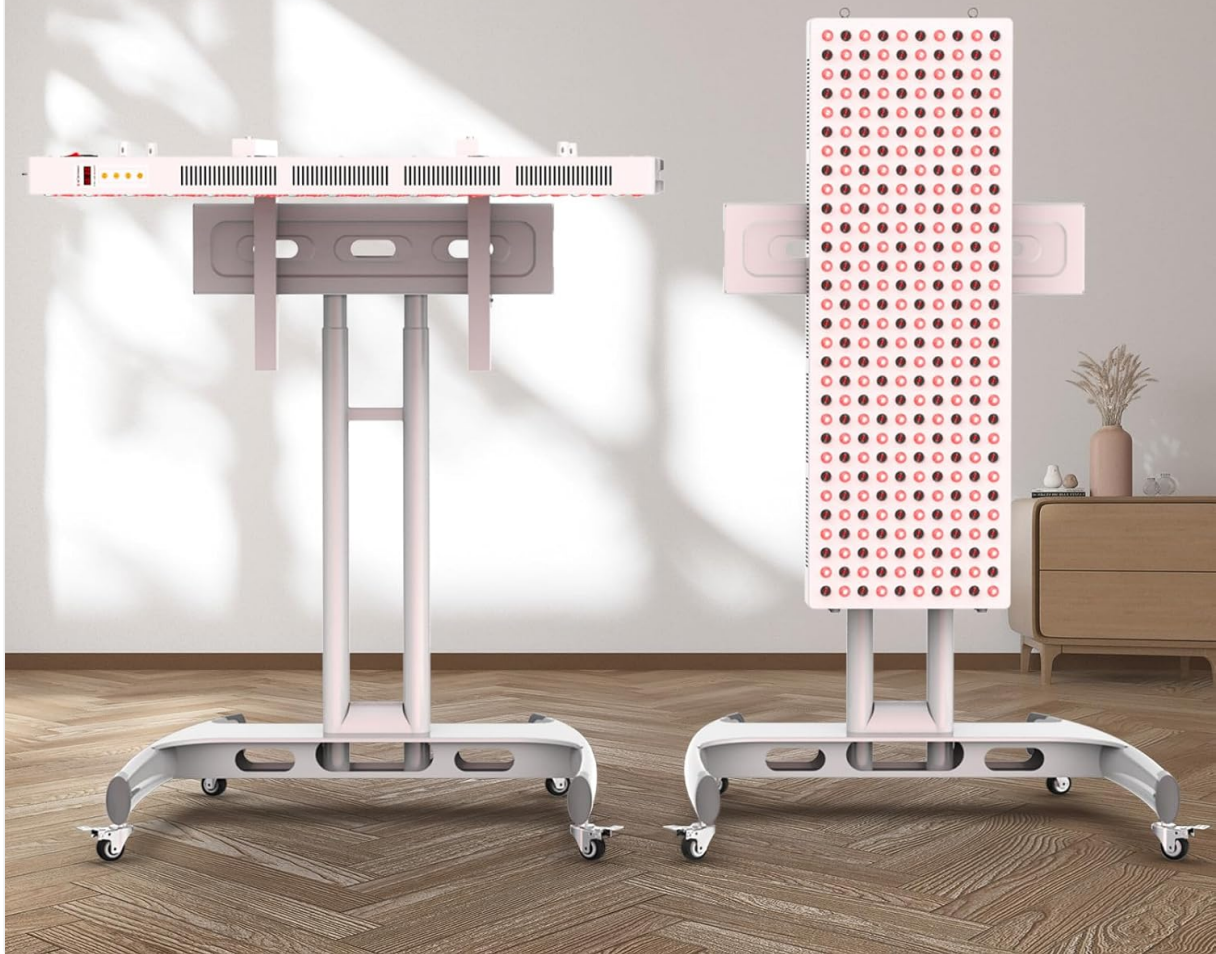


Image 2: The stand configured for both horizontal and vertical panel mounting. Manual adjustment is required to switch between orientations.

## 4. OPERATING INSTRUCTIONS

### 4.1 Adjusting Height

The stand features multiple height adjustment points on the vertical support columns. To adjust the height:

1. Loosen the locking knobs or pins on both vertical columns.
2. Carefully raise or lower the upper section of the columns to the desired height.
3. Ensure both sides are adjusted to the same height to maintain a level panel.
4. Securely tighten the locking knobs or reinsert the pins to fix the height.

## HEIGHT ADJUSTMENT

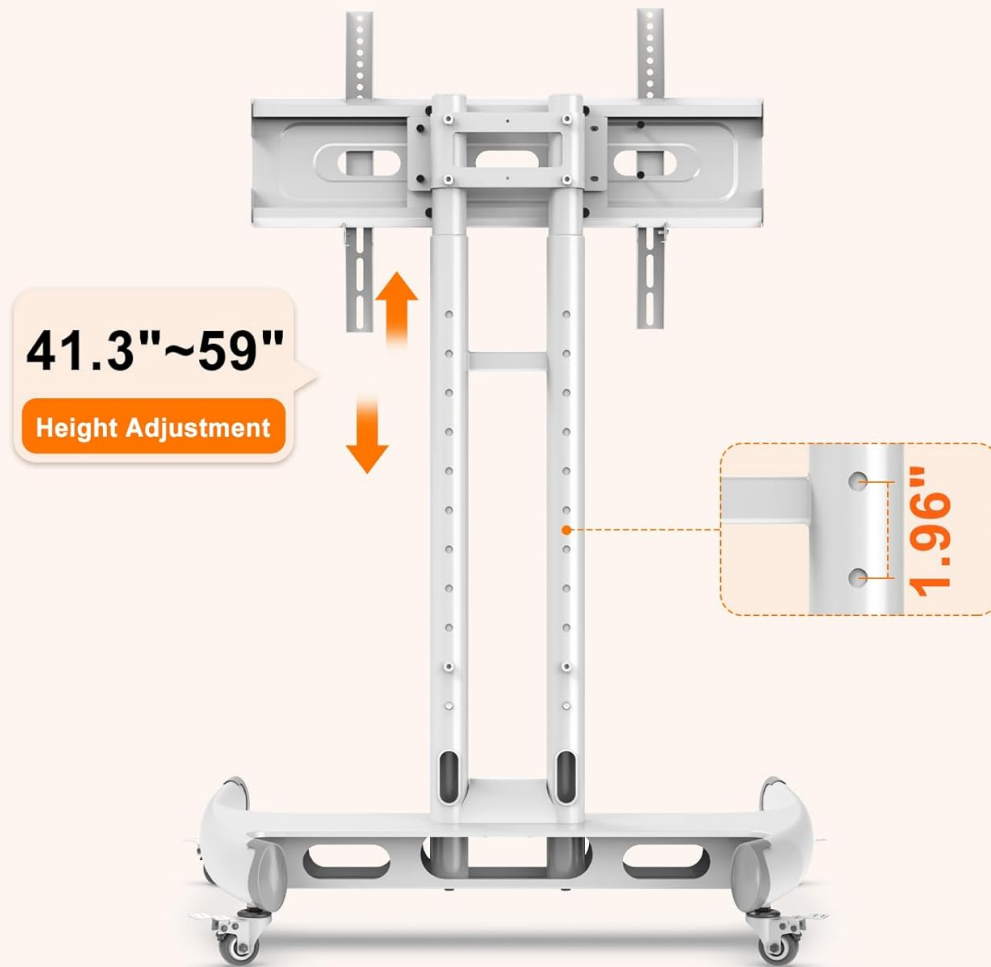


Image 3: The stand's height adjustment mechanism, showing a range of 41.3 to 59 inches.

### 4.2 Changing Panel Orientation

The stand allows for both horizontal and vertical mounting of your therapy panel. To change the orientation:

1. Ensure the therapy panel is safely detached or supported.
2. Adjust the side brackets on the VESA mounting plate to accommodate the desired orientation (horizontal or vertical). This may involve re-positioning or re-attaching the brackets.
3. Carefully mount your therapy panel onto the adjusted brackets.
4. Secure all fasteners to ensure the panel is firmly held in place.

### 4.3 Using Lockable Wheels

The stand is equipped with lockable wheels for easy movement and secure positioning.

- **To Move:** Unlock all four wheels by pushing the lock lever upwards. Carefully push the stand to your desired location.
- **To Secure:** Once in position, push the lock lever downwards on all four wheels to engage the brakes and prevent movement.



Image 4: Detail of the 360° rotating, lockable caster wheel for easy movement and secure fixation.

## 5. MAINTENANCE

- **Cleaning:** Wipe the stand with a soft, damp cloth. Avoid abrasive cleaners or solvents that could damage the finish.
- **Inspection:** Periodically check all screws, bolts, and connections to ensure they remain tight. Retighten if necessary.
- **Wheel Functionality:** Ensure the wheels rotate freely and the locks engage properly. Clean any debris from the casters if movement becomes restricted.
- **Storage:** If storing the stand for an extended period, ensure it is clean and dry. Store in a cool, dry place away from direct sunlight.

## 6. TROUBLESHOOTING

- **Stand is unstable:**
  - Ensure all assembly screws and bolts are fully tightened.
  - Verify the stand is on a flat, level surface.
  - Check that the vertical support columns are inserted correctly and secured to the base.

- **Difficulty adjusting height:**

- Ensure locking knobs/pins are fully loosened before attempting to adjust.
- Check for any obstructions in the adjustment holes.

- **Wheels not locking/moving freely:**

- Ensure the lock levers are fully engaged or disengaged.
- Remove any debris (hair, lint) that may be caught in the wheel mechanisms.

- **Panel does not fit:**

- Confirm your therapy panel is a BONTANNY 400W-800W model. This stand is not universally compatible.
- Review the assembly steps for the VESA plate and side brackets to ensure correct installation for your panel size and orientation.

## 7. SPECIFICATIONS

<b>Brand</b>	BONTANNY
<b>Model</b>	Red Light Therapy Stand
<b>Material</b>	Metal
<b>Color</b>	White
<b>Product Dimensions (L x W x H)</b>	29 x 8 x 35 inches (73.66 x 20.32 x 88.9 cm)
<b>Item Weight</b>	59 Pounds (26.76 Kilograms)
<b>Applicable Panel Wattage</b>	400W-800W BONTANNY Infrared Therapy Panels
<b>Maximum Load Capacity</b>	100 lbs (45 kg)
<b>Height Adjustment Range</b>	41.3"-59" (104.9 cm - 149.86 cm)

## 8. WARRANTY AND SUPPORT

This product comes with a 30-day easy return policy. For any questions, technical assistance, or warranty claims, please contact BONTANNY customer support. Refer to your purchase documentation for specific contact details or visit the official BONTANNY store on Amazon.

Statements regarding dietary supplements have not been evaluated by the FDA and are not intended to diagnose, treat, cure, or prevent any disease or health condition.