

[Manuals.plus](#) /

› [Canyon](#) /

› Canyon Pathlite:ON 7 Step-Through Electric Bicycle User Manual

Canyon Pathlite:ON 7 Step-Through

Canyon Pathlite:ON 7 Step-Through Electric Bicycle User Manual

Model: Pathlite:ON 7 Step-Through

Brand: Canyon

1. PRODUCT OVERVIEW

The Canyon Pathlite:ON 7 Step-Through is an electric bicycle designed for both urban commuting and extended recreational tours. It combines comfort with performance, featuring a low-step frame for easy mounting and dismounting. The integrated Bosch Performance Line motor provides smooth and consistent power assistance, adapting to your riding speed. A 625 Wh Bosch PowerTube battery ensures ample range for longer journeys.

This e-bike is engineered for durability and a stable ride, incorporating full suspension, ergonomic grips, and a comfortable saddle to enhance your riding experience on various terrains.



Image 1.1: The Canyon Pathlite:ON 7 Step-Through electric bicycle, showcasing its design and integrated components.

2. UNBOXING AND INCLUDED COMPONENTS

Your Canyon Pathlite:ON 7 Step-Through electric bicycle is delivered in specialized Bike Guard packaging, ensuring 95% pre-assembly for a quick setup. Please carefully unbox the bicycle and verify all components are present using the list below. Refer to the unboxing video for a visual guide.

Included Components:

- Canyon dry bag
- Bosch Charger
- Assembly paste
- Hex bits
- Battery keys (AXA)
- Pedal spanner
- Torque wrench
- Shock pump
- Pedals (Note: While shown in the video, the video also states pedals and grease are not included. Please check your specific package contents.)
- Quick Start Guide
- Reflectors

Video 2.1: Official Canyon video demonstrating the unboxing and initial assembly process for the Pathlite:ON electric bicycle.



Image 2.2: Side view of the Canyon Pathlite:ON 7 Step-Through, highlighting the frame, rear rack, and fenders.

3. INITIAL SETUP AND ASSEMBLY

Follow these steps to complete the assembly of your Canyon Pathlite:ON 7 Step-Through electric bicycle. For visual guidance, refer to the 'Pathlite:ON Unboxing & Assembly' video (Video 2.1).

3.1 Attaching the Front Wheel

1. Carefully remove the front wheel from its packaging.
2. Remove any protective inserts from the front fork.
3. Align the front wheel with the fork dropouts, ensuring the brake rotor slides correctly into the brake caliper.
4. Insert the thru-axle through the fork and wheel hub.
5. Using the provided torque wrench and the appropriate hex bit (e.g., 9mm hex bit as shown in the video), tighten the front axle to the specified torque of 12 Nm.



Image 3.1: Detail of the front wheel assembly, including the disc brake and suspension fork.

3.2 Installing Pedals

Identify the left (L) and right (R) pedals. Apply a small amount of bicycle pedal grease to the pedal threads (grease not included with all models). Thread the right pedal clockwise into the right crank arm and the left pedal counter-clockwise into the left crank arm. Use the pedal spanner to tighten them securely.

3.3 Charging the Battery

The Bosch PowerTube battery may not be fully charged upon arrival. It is recommended to fully charge the battery before your first ride. To remove the battery, use the provided battery key to unlock it from the frame. Connect the Bosch charger to a power outlet and then to the battery. The indicator lights on the battery will show the charging status. Once fully charged, re-insert the battery into the frame and lock it securely with the key.



Image 3.2: Detail of the battery charging port on the bicycle frame.

3.4 Adjusting Fork Suspension

The front suspension fork can be adjusted to your preference and riding weight using the included shock pump. Remove the cap from the air valve on the fork and attach the shock pump. Inflate or deflate the fork to achieve the desired sag and rebound settings, referring to the fork manufacturer's guidelines for recommended pressures based on rider weight. Replace the air valve cap when finished.

4. OPERATING INSTRUCTIONS

Familiarize yourself with the controls and functions of your Canyon Pathlite:ON 7 Step-Through electric bicycle before riding.

4.1 Powering On/Off and Motor Assistance

- To power on the e-bike system, press and hold the power button on the Bosch display unit located on the handlebar.
- Use the control unit to cycle through different motor assistance modes (e.g., Eco, Tour, Sport, Turbo). Each

mode provides a different level of assistance, affecting battery range and power output.

- To power off, press and hold the power button again.

4.2 Display Functions

The Bosch display provides essential riding information, including current speed, battery level, selected assistance mode, trip distance, and total mileage. Consult the Bosch user manual for detailed instructions on navigating the display menus and customizing settings.



Image 4.1: The handlebar area, showing the Bosch display and control unit for motor assistance.

4.3 Gear Shifting

Your e-bike is equipped with a 10-speed derailleur system. Use the twist grip shifter to change gears smoothly. Shift to a lower gear when climbing hills or riding against strong headwinds, and to a higher gear for flat terrain or descents. Avoid shifting under heavy load to prolong the life of your drivetrain components.

5. MAINTENANCE GUIDELINES

Regular maintenance is crucial for the longevity and safe operation of your Canyon Pathlite:ON 7 Step-Through. Perform these checks regularly:

- **Tire Pressure:** Check tire pressure before each ride. Maintain the recommended pressure indicated on the tire sidewall for optimal performance and safety.
- **Brakes:** Regularly inspect brake pads for wear and ensure brake levers provide firm and responsive braking. Adjust or replace pads as needed.
- **Chain:** Keep the chain clean and lubricated. A well-lubricated chain reduces wear and improves shifting performance.
- **Battery Care:** Store the battery in a cool, dry place. Avoid extreme temperatures. Charge the battery regularly, even if not in use, to maintain its health. Do not fully discharge the battery for extended periods.
- **General Cleaning:** Clean your bicycle regularly with mild soap and water. Avoid high-pressure washers directly on electrical components or bearings.



Image 5.1: Detail of the rear derailleur and cassette, components requiring regular cleaning and lubrication.

6. TROUBLESHOOTING COMMON ISSUES

This section addresses common issues you might encounter with your electric bicycle. For more complex problems, consult a certified bicycle mechanic or Canyon customer support.

- **Motor Not Providing Assistance:**

Check: Ensure the battery is properly inserted and locked, and sufficiently charged. Verify the system is powered on and an assistance mode is selected. Check for any error codes on the display.

- **Battery Not Charging:**

Check: Ensure the charger is correctly plugged into both the wall outlet and the battery. Verify the power outlet is functional. Inspect the charger cable for any damage.

- **Brakes Squealing or Feeling Spongy:**

Check: Squealing can indicate dirty brake pads or rotor. Clean them with a specific disc brake cleaner. Spongy feel might mean air in the hydraulic system or worn pads. Professional service is recommended for hydraulic brake bleeding.

- **Unusual Noises from Drivetrain:**

Check: Lubricate the chain. Inspect the chain, cassette, and chainring for wear or damage. Ensure pedals are securely tightened.

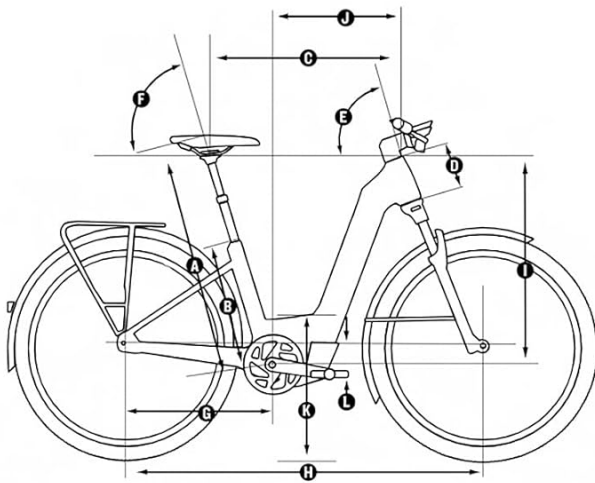
7. TECHNICAL SPECIFICATIONS

Below are the key technical specifications for the Canyon Pathlite:ON 7 Step-Through electric bicycle.

Canyon Pathlite:ON 7 Step-Through Specifications

Feature	Detail
Bike Type	Commuting Bike, Electric Bike
Age Range (Description)	Adult
Brand	Canyon
Number of Speeds	10
Color	Tundra Green
Wheel Size	27.5 Inches
Frame Material	Aluminum
Suspension Type	Front
Special Feature	Adjustable Seat, Dual Disc Brake, Durable, Multi-Speed, Rechargeable
Brake Style	Disc
Specific Uses For Product	Gravel, Trail
Power Source	Electric
Lithium Battery Energy Content	33.3 Watt Hours (625 Wh Bosch PowerTube battery)
Bicycle Gear Shifter Type	Twist Grip
Derailleur Configuration	Rear
Bicycle Drivetrain Type	Derailleur
Electric Assist Type	Mid-Drive (Bosch Performance Line motor)
Style Name	Urban
Model Year	2024
Maximum Weight Recommendation	260 Pounds
Assembly Required	Yes (95% pre-assembled)

Pathlite:ON 7 step-through Geometry & dimensions



Basic geometry

	S	L
Body Height in cm	155 - 170	170 - 190
Seat Height in mm (A)	583 - 733	673 - 823
Seat Tube Length in mm (B)	385	475
Top Tube Length in mm (C)	565	625
Head Tube Length in mm (D)	111	164
Head Tube Angle (E)	68,5°	68,5°
Seat Tube Angle (F)	73,5°	73,5°
Chainstay Length in mm (G)	460	460
Wheel Base in mm (H)	1.103	1.168
Stack in mm (I)	625	675
Reach in mm (J)	380	425
Stand-over Height in mm (K)	450	450
Bottom Bracket Offset in mm (L)	65	65

Component geometry

Image 7.1: Geometry and dimensions diagram for the Pathlite:ON 7 Step-Through.

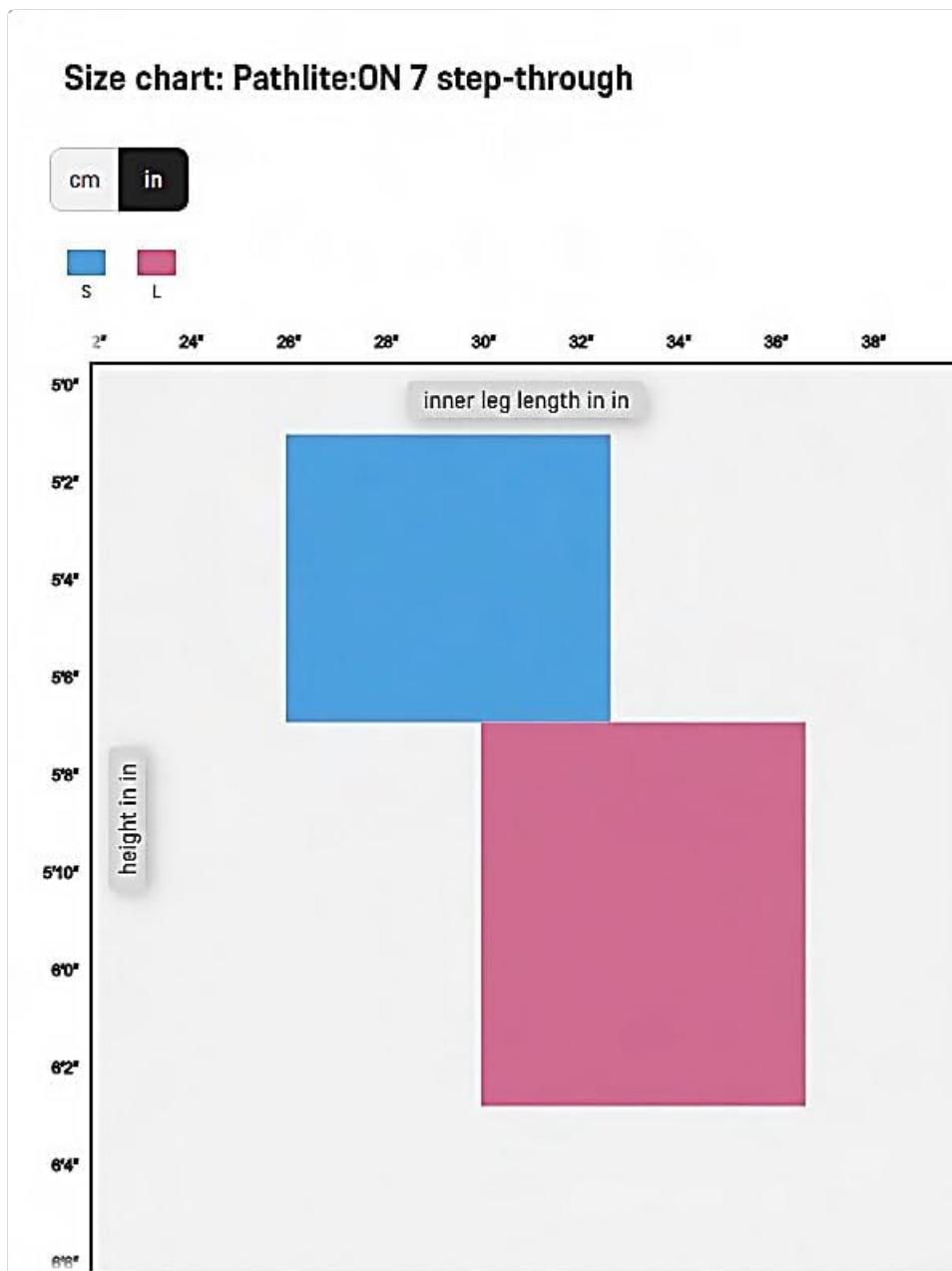


Image 7.2: Size chart indicating recommended rider height and inner leg length for different frame sizes.

8. WARRANTY INFORMATION

Canyon provides a **6-year warranty** on Canyon Engineered Components, ensuring lasting performance and peace of mind. All other components are covered by their respective manufacturers' warranty policies.

Additionally, a **30-day return policy** allows you to try the bicycle risk-free. If it does not meet your expectations, you can return it hassle-free within this period.

9. CUSTOMER SUPPORT

For any questions, technical assistance, or warranty claims, please contact Canyon customer support through their official website or the contact information provided in your Quick Start Guide. Ensure you have your product model and serial number available when contacting support.