

Manuals.plus /

› VEVOR /

› VEVOR 31.5" Kidney Shaped Chrome Corner Organizer (Model PD1030D) User Manual

VEVOR PD1030D

VEVOR 31.5" Kidney Shaped Chrome Corner Organizer User Manual

Model: PD1030D

1. INTRODUCTION

Thank you for choosing the VEVOR 31.5" Kidney Shaped Chrome Corner Organizer. This product is designed to maximize storage efficiency in kitchen blind corner cabinets, transforming previously unused space into easily accessible storage. Its robust construction and smooth operation ensure a reliable and convenient solution for organizing your kitchen essentials.

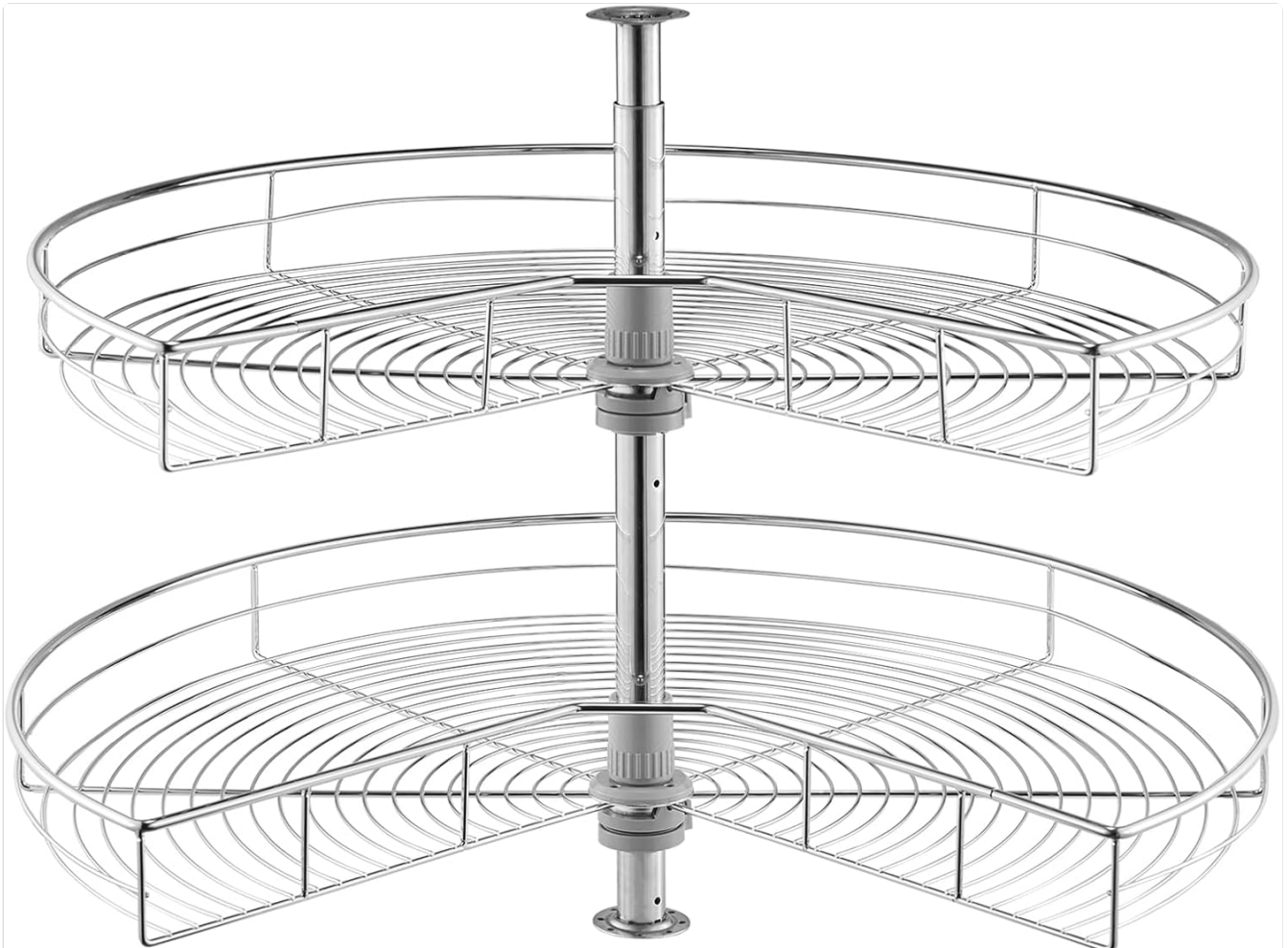


Figure 1: VEVOR Kidney Shaped Chrome Corner Organizer in use.

2. SAFETY INFORMATION

- Do not exceed the maximum weight capacity of 60 lbs (27 kg) for the entire unit, or 30 lbs (13.5 kg) per shelf.
- Ensure all components are securely fastened during installation to prevent instability.
- Exercise caution when rotating or pulling out the shelves to prevent items from toppling.
- Keep small parts and hardware away from children during assembly.

3. PACKAGE CONTENTS

Verify that all parts are present before beginning assembly:

- 2 x Kidney Shaped Chrome Shelves
- 1 x Central Support Pole (Adjustable)
- 2 x Shelf Mounting Brackets
- 1 x Top Mounting Plate
- 1 x Bottom Mounting Plate
- Hardware (Screws, pins, washers, etc.)
- Installation Instructions

4. SPECIFICATIONS

Feature	Specification
Model Name	31.5" Kidney Shaped Chrome Corner Organizer
Model Number	PD1030D
Material	Carbon Steel (Chrome Plated)
Number of Shelves	2
Shelf Type	Tiered Shelf
Product Dimensions (D x W x H)	26.8"D x 31.5"W x 29.1"H (680 x 800 x 740 mm)
Minimum Required Door Width	31.5 Inches
Weight Capacity (Each Layer)	30 lbs (13.5 kg)
Total Weight Capacity	60 lbs (27 kg)
Special Features	Detachable, Expandable, Revolving, Space Saving, Rust Resistant

Flexible Adjustment

Fits various cabinet interior sizes

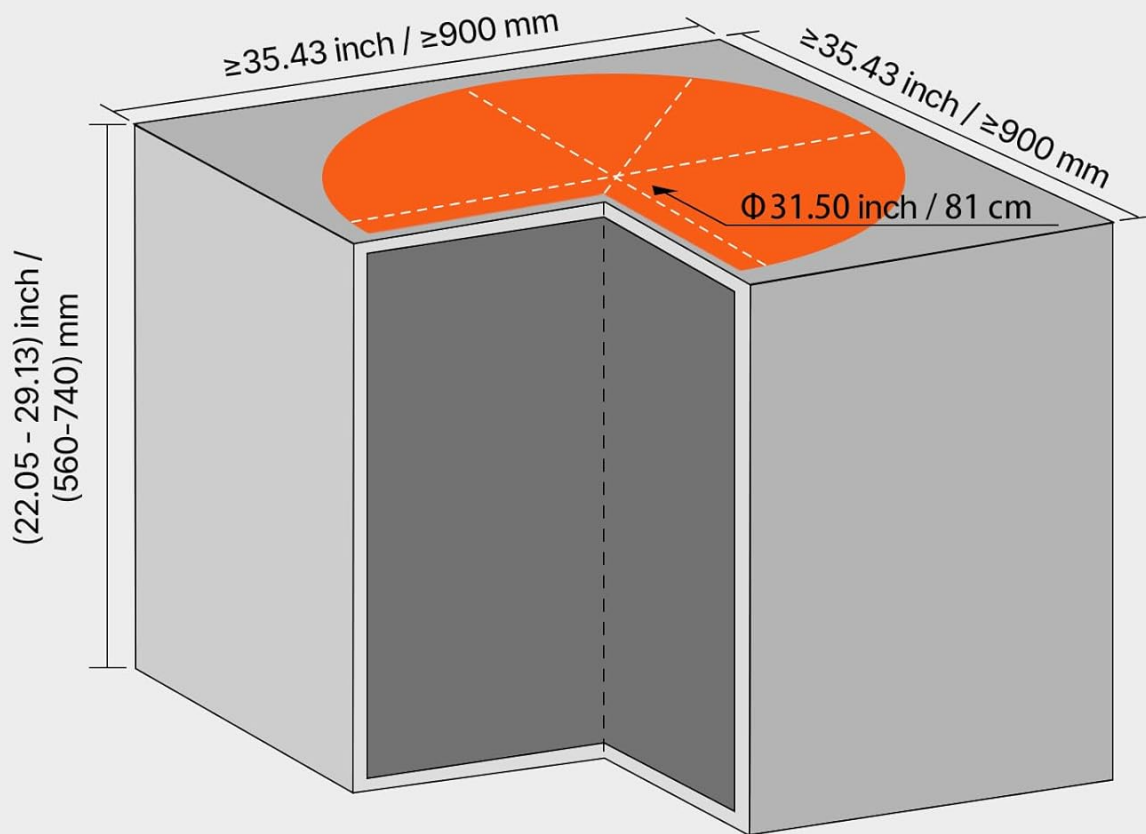


Figure 2: Product Dimensions and Installation Requirements.

5. SETUP AND INSTALLATION

This section provides a general guide for installing your VEVOR Kidney Shaped Chrome Corner Organizer. Refer to the detailed instructions included in your package for specific steps and diagrams.

5.1 Pre-Installation Checks

- Ensure your cabinet meets the minimum installation size requirements: at least 35.43 inches (900 mm) in width and depth, and a height between 22.05 - 29.13 inches (560-740 mm).
- Clear the cabinet space of any existing shelves or obstructions.
- Gather necessary tools: drill, screwdriver, measuring tape, level.

5.2 Assembly Steps

1. **Install Base Plates:** Secure the bottom mounting plate to the base of your cabinet using the provided screws. Use the included template for accurate positioning. Repeat for the top mounting plate on the cabinet ceiling.

2. **Assemble Support Pole:** Connect the sections of the central support pole. The pole is adjustable to fit various cabinet heights.
3. **Attach Shelf Brackets:** Slide the shelf mounting brackets onto the central support pole. Adjust their height according to your preference and secure them using the locking pins.
4. **Mount Shelves:** Place the kidney-shaped shelves onto the installed brackets. Ensure they are level and securely attached.
5. **Final Adjustments:** Verify that the shelves rotate smoothly and that all connections are tight. Adjust the height of the shelves as needed to accommodate your items.

Your browser does not support the video tag.

Video 1: Installation Guide for VEVOR Kitchen Cabinet Blind Corner Series. This video demonstrates the assembly and installation process for the corner organizer, including how to adjust the shelves and secure the unit within the cabinet.

6. OPERATING INSTRUCTIONS

The VEVOR Kidney Shaped Chrome Corner Organizer is designed for intuitive and easy use:

- **Accessing Items:** Gently pull the front edge of the desired shelf towards you. The rotating axle mechanism will allow the shelf to swing out smoothly, providing full access to items stored in the blind corner.
- **Returning Shelves:** Push the shelf back into the cabinet until it is fully retracted. The smooth track design ensures quiet operation and prevents items from shifting.
- **Loading Items:** Distribute items evenly on the shelves, ensuring not to exceed the individual shelf or total unit weight capacity.

30-inch Large Basket

Easily Accommodates Various Pots and Spice Bottles

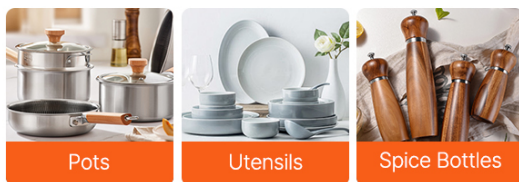
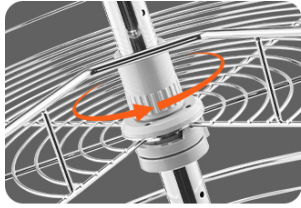


Figure 3: Pull-out mechanism for easy access.

Smooth Rail Design

No Jamming with Multiple Push-Pulls



Items on the tray are stable



Figure 4: Smooth 360-degree rotation.

7. MAINTENANCE

- **Cleaning:** Wipe the chrome surfaces and shelves with a soft, damp cloth and mild detergent. Avoid abrasive cleaners or harsh chemicals that could damage the finish.
- **Inspection:** Periodically check all screws and connections to ensure they remain tight. Re-tighten if necessary.
- **Lubrication:** If the rotation becomes stiff, apply a small amount of silicone-based lubricant to the rotating axle mechanism.

8. TROUBLESHOOTING

Problem	Possible Cause	Solution
Shelves do not rotate smoothly.	Obstruction, loose components, lack of lubrication.	Check for obstructions, tighten all screws, apply silicone lubricant to the rotating mechanism.
Shelves are wobbly or unstable.	Loose mounting plates or shelf brackets, uneven load distribution.	Ensure mounting plates and brackets are securely fastened. Redistribute items evenly on shelves.
Items fall off shelves during rotation.	Excessive speed during rotation, items too close to the edge.	Rotate shelves gently. Ensure items are placed securely within the shelf boundaries.

9. WARRANTY AND SUPPORT

VEVOR products are designed for durability and performance. For warranty information, technical support, or any questions regarding your VEVOR 31.5" Kidney Shaped Chrome Corner Organizer (Model PD1030D), please visit the official VEVOR website or contact VEVOR customer service directly. Please have your model number and purchase details ready for efficient assistance.

Visit the VEVOR Store