

## SOFTSEA x32

# SOFTSEA Queen Size Horizontal Murphy Bed with Desk

Model: x32 - Instruction Manual

## INTRODUCTION

---

This manual provides detailed instructions for the assembly, operation, and maintenance of your SOFTSEA Queen Size Horizontal Murphy Bed with Desk. This innovative furniture piece is designed to maximize space efficiency by transforming from a comfortable queen-size bed into a stylish cabinet with an integrated desk. Please read all instructions carefully before beginning assembly or operation to ensure safe and correct use of the product.

## SAFETY INFORMATION

---

Please observe the following safety guidelines to prevent injury or damage to the product:

- Ensure all components are securely fastened before use. Loose parts can cause instability.
- This product requires full assembly by at least three individuals for safety and ease of installation.
- Do not exceed the maximum weight capacity of 600 lbs (272 kg) for the bed.
- Always ensure the bed is fully locked in either the folded or unfolded position before use.
- Keep children and pets away from the bed during folding and unfolding operations.
- Use only the recommended mattress thickness of 10 inches (25.4 cm) for optimal functionality and safety.
- Periodically check all screws and fasteners to ensure they remain tight.

## SETUP AND ASSEMBLY

---

The SOFTSEA Queen Size Horizontal Murphy Bed with Desk requires full assembly. It is recommended that three people participate in the assembly process. All necessary tools are included.

### Before You Begin

- Unpack all components and verify against the parts list provided in your package. The product ships

in 3 separate packages, which may arrive on different days.

- Clear a spacious area for assembly.
- Review the detailed dimension diagram to ensure the product fits your intended space.



Figure 1: Detailed dimensions of the Murphy bed in its unfolded state. Overall dimensions are 87.8 inches (L) x 67.1 inches (W) x 67.1 inches (H).

## Assembly Steps

Follow the step-by-step manual included in your packaging for detailed assembly instructions. Key steps involve:

1. Assembling the main cabinet frame using the provided pine wood and MDF boards.
2. Installing the dual piston folding mechanism, ensuring smooth operation for lifting and lowering the bed.
3. Attaching the bed frame components, including the mattress support structure.
4. Securing the desk component to the cabinet.
5. Performing a final check of all connections and mechanisms for stability and proper function.



Figure 2: View of the bed frame in the unfolded position, illustrating the robust pine wood and MDF construction and the piston mechanism.



Figure 3: Angled perspective of the bed frame, showing how the desk integrates into the structure when the bed is unfolded.

## OPERATING INSTRUCTIONS

### Folding the Bed into a Cabinet

1. Remove all bedding, pillows, and the mattress from the bed frame.
2. Ensure the desk area is clear of items.
3. Gently lift the foot of the bed frame. The dual piston mechanism will assist in the lifting motion.
4. Continue to lift until the bed frame is fully vertical and securely latched into the cabinet position.

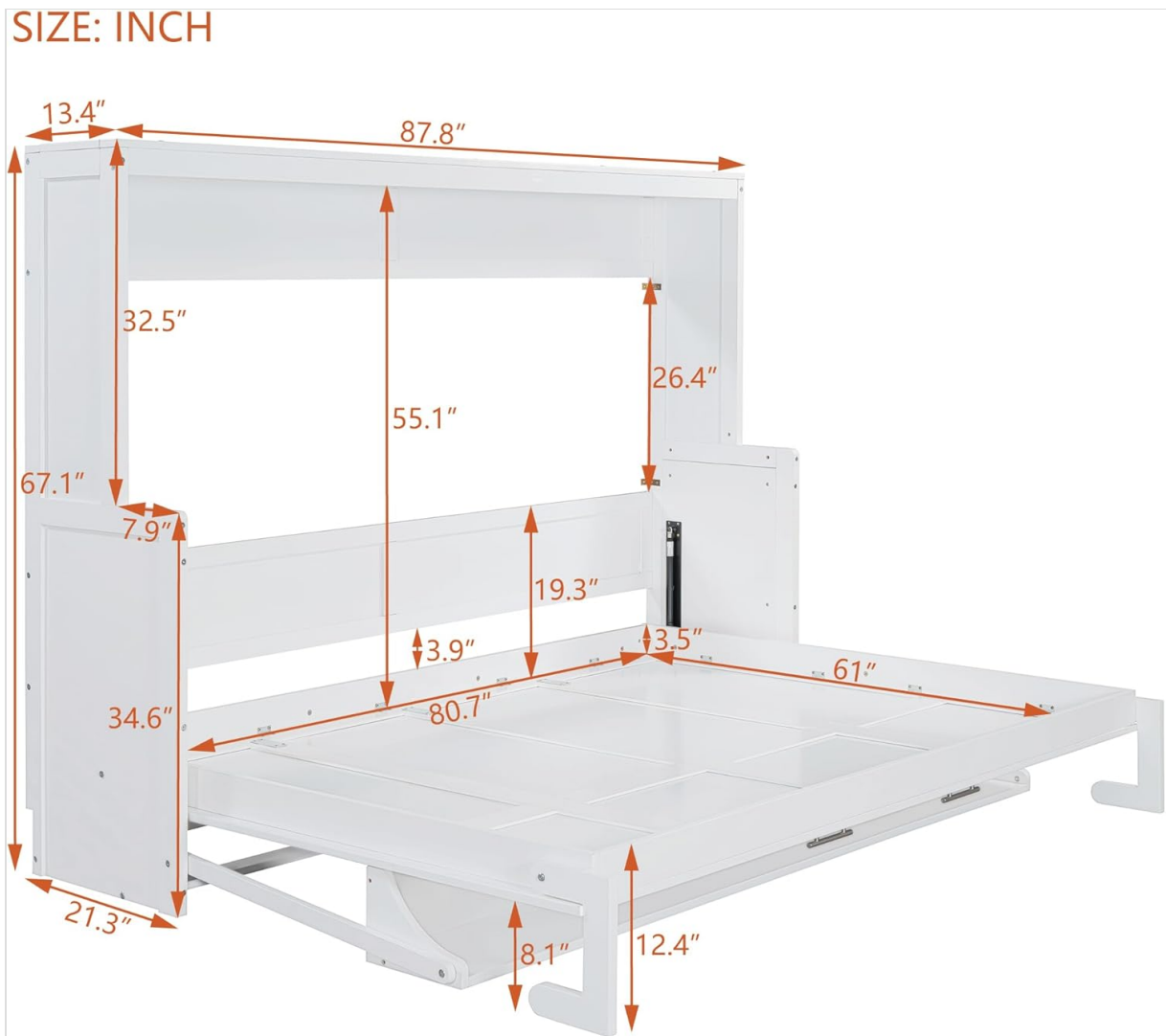


Figure 4: The Murphy bed in its folded state, appearing as a compact and elegant cabinet, ready to save space.

### Unfolding the Bed for Use

1. Ensure the area in front of the cabinet is clear.
2. Release the latch mechanism that holds the bed in the folded position.
3. Gently pull the bed frame downwards. The dual piston mechanism will control the descent, allowing for a smooth and controlled unfolding.
4. Lower the bed until it is fully horizontal and the support legs are extended and stable.
5. Place your recommended 10-inch mattress onto the bed frame.



Figure 5: The Murphy bed fully unfolded and prepared for use, showcasing its functionality as a comfortable sleeping area.

### Using the Integrated Desk

The integrated desk is accessible when the bed is in its folded (cabinet) position. Simply ensure the bed is fully secured in the upright position to utilize the desk surface for work or study.

### MAINTENANCE

---

To maintain the appearance and functionality of your Murphy bed, follow these care instructions:

- **Cleaning:** Wipe surfaces with a damp cloth for general cleaning. For tougher spots, use a mild, non-abrasive cleaner. Immediately wipe dry with a clean cloth.
- **Dusting:** Regularly dust with a dry, soft cloth.
- **Mechanism Check:** Periodically inspect the folding mechanism and all hardware for any signs of wear or loosening. Tighten screws as needed.
- **Avoid Harsh Chemicals:** Do not use abrasive cleaners, solvents, or polishes that may damage the finish.

## TROUBLESHOOTING

---

If you encounter any issues with your SOFTSEA Murphy Bed, please refer to the following common solutions:

- **Bed difficult to fold/unfold:** Ensure no obstructions are present. Check that the piston mechanism is clean and free of debris. Verify all assembly steps were followed correctly, especially those related to the piston installation.
- **Bed not staying in folded/unfolded position:** Confirm that the latching mechanism is fully engaged. If the issue persists, inspect the latch for damage or misalignment.
- **Squeaking or creaking noises:** Check all bolts and screws for tightness. Apply a silicone-based lubricant to moving parts of the mechanism if necessary, avoiding contact with wood surfaces.
- **Desk unstable:** Ensure all fasteners connecting the desk component are securely tightened.

If these steps do not resolve the issue, please contact customer support.

## SPECIFICATIONS

---

<b>Brand</b>	SOFTSEA
<b>Model Number</b>	x32
<b>Size</b>	Queen
<b>Color</b>	White
<b>Overall Dimensions (Unfolded)</b>	87.8"L x 67.1"W x 67.1"H
<b>Recommended Mattress Thickness</b>	10 inches (Mattress not included)
<b>Bed Weight Capacity</b>	600 lbs
<b>Material</b>	Pine Wood + MDF
<b>Level of Assembly</b>	Full Assembly Needed (3 people suggested)
<b>Included Components</b>	Murphy Bed frame, all assembly tools
<b>Item Weight</b>	190 lbs

## WARRANTY INFORMATION

---

This SOFTSEA Murphy Bed comes with a One Year Limited Warranty against manufacturing defects from the date of purchase. This warranty covers defects in materials and workmanship under normal use. It does not cover damage resulting from improper assembly, misuse, abuse, accidents, or normal wear and tear. Please retain your proof of purchase for warranty claims.

## CUSTOMER SUPPORT

---

For further assistance, missing parts, or warranty inquiries, please contact SOFTSEA customer support through the retailer where the product was purchased. You may also visit the official SOFTSEA store on Amazon for additional product information and support resources: [SOFTSEA Amazon Store](#).

