

Manuals+

[Q & A](#) | [Deep Search](#) | [Upload](#)

manuals.plus /

- › [LLS](#) /
- › [LLS 105-inch Mid-Century Upholstered Sofa Couch Instruction Manual](#)

LLS 105-inch Mid-Century Upholstered Sofa Couch

LLS 105-inch Mid-Century Upholstered Sofa Couch Instruction Manual

Model: 105-inch Mid-Century Upholstered Sofa Couch

INTRODUCTION

This manual provides essential information for the assembly, operation, and maintenance of your LLS 105-inch Mid-Century Upholstered Sofa Couch. Please read these instructions carefully before assembly and retain them for future reference. Proper assembly and care will ensure the longevity and optimal performance of your sofa.

PRODUCT OVERVIEW

The LLS 105-inch Mid-Century Upholstered Sofa Couch is designed for comfort and style, suitable for various living spaces. It features a durable frame and high-density sponge cushions for support.

Key Features:

- Mid-Century Modern Design
- Polyester fiber upholstery
- High-density sponge cushions
- Corner-blocked frame
- Solid wood legs

Components:

The sofa is typically shipped in multiple packages. Ensure all components are present before beginning assembly. Refer to the packaging list for a detailed inventory of parts.



Image: The LLS 105-inch Mid-Century Upholstered Sofa Couch in a beige color, positioned in a modern living room with two round white coffee tables and a plant. This image provides a general view of the assembled product.

SPECIFICATIONS

Brand	LLS
Product Dimensions (L x W x H)	104.72" x 40.94" x 30.71"
Item Weight	165 Pounds
Color	Beige
Material Type	Fabric (Polyester Fiber)
Arm Style	Track
Weight Load Capacity	700 LBS (as per image)

INSTALLED SIZE

Weight Load Capacity
700 LBS

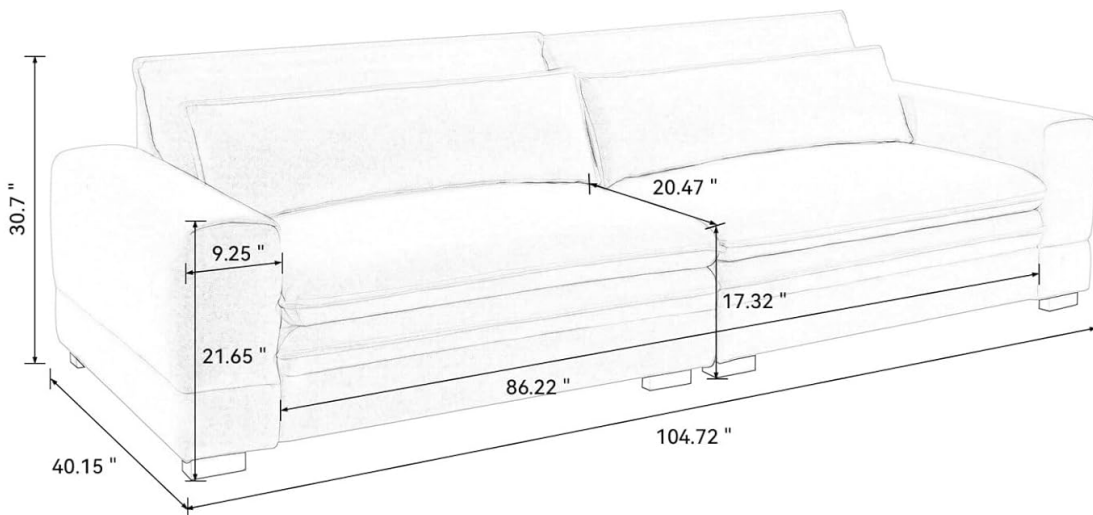


Image: A technical diagram illustrating the dimensions of the LLS 105-inch sofa, including length (104.72"), width (40.15"), height (30.7"), and seat depth. It also indicates a weight load capacity of 700 LBS.

SETUP AND ASSEMBLY

The LLS sofa is designed for easy assembly. It is recommended to have two people for assembly to ensure safety and efficiency. Please follow these general steps:

1. **Unpack Components:** Carefully remove all parts from the packaging. Lay them out on a clean, soft surface to prevent scratches. Verify all parts are present against the included parts list.
2. **Attach Legs:** Securely attach the solid wood legs to the base of the sofa sections. Ensure all screws are tightened properly.
3. **Connect Sofa Sections:** If your sofa consists of multiple sections, connect them using the provided hardware. Align the connectors and push the sections together until they lock.
4. **Place Cushions:** Position the seat and back cushions onto the sofa frame. Fluff cushions as needed to restore their shape.
5. **Final Check:** Before use, ensure all connections are secure and the sofa is stable.

Note: Specific assembly instructions and diagrams will be included in the packaging. Refer to those for detailed, step-by-step guidance.

OPERATING AND USAGE

Your LLS sofa is designed for comfortable seating in various indoor environments. To ensure proper use and longevity:

- **Weight Capacity:** Do not exceed the maximum weight load capacity of 700 LBS.
- **Placement:** Position the sofa on a flat, stable surface. Avoid placing it in direct sunlight or near heat sources to prevent fabric fading or damage.
- **Movement:** When moving the sofa, lift it rather than dragging it to prevent damage to the legs or frame.
- **Cushion Care:** Rotate and fluff cushions regularly to maintain their shape and even out wear.

MAINTENANCE AND CARE

Regular maintenance will help preserve the appearance and extend the life of your LLS sofa.

- **General Cleaning:** Vacuum the sofa regularly using an upholstery attachment to remove dust and loose debris.
- **Spot Cleaning:** For spills, blot immediately with a clean, dry cloth. Do not rub, as this can spread the stain. For stubborn stains, use a mild fabric cleaner specifically designed for upholstery, testing it on an inconspicuous area first.
- **Avoid Harsh Chemicals:** Do not use harsh detergents, abrasive cleaners, or solvents, as these can damage the fabric.
- **Sunlight Exposure:** Prolonged exposure to direct sunlight can cause fabric to fade. Consider using curtains or blinds to protect your sofa.
- **Pet Care:** If you have pets, consider using a furniture cover to protect the upholstery from pet hair and claws.

TROUBLESHOOTING

This section addresses common issues you might encounter with your sofa.

- **Squeaking Noises:** Check all leg and frame connections to ensure they are tight. Loose connections can cause squeaking.
- **Uneven Seating:** Ensure the sofa is placed on a level surface. Rotate and fluff cushions to redistribute filling.
- **Fabric Pilling:** Pilling is a normal occurrence with some fabrics and can be removed with a fabric shaver.
- **Cushion Compression:** Over time, cushions may compress. Regular fluffing and rotating can help maintain their loft.

WARRANTY AND SUPPORT

The manufacturer provides a return policy for quality issues. Due to the large size and transportation logistics, returns are generally accepted only for quality-related concerns once the order has shipped. Please refer to your purchase documentation or contact the seller directly for specific warranty details and support inquiries.

For assistance, please contact the seller, DOOMMY, through the Amazon platform or refer to the contact information provided with your purchase.

Seller: [DOOMMY](#)

Return Policy Note: *"Due to the large size of the product and inconvenient transportation, once the order has been shipped, we only accept the return requests due to quality issues."*