



[Manuals.plus](#) /

> [ARCORA](#) /

> ARCORA AR9103400B Shower Faucet Set Matte Black Instruction Manual

ARCORA AR9103400B

ARCORA AR9103400B Shower Faucet Set Matte Black Instruction Manual

Model: AR9103400B

1. INTRODUCTION

Thank you for choosing the ARCORA Shower Faucet Set. This manual provides detailed instructions for the safe installation, operation, and maintenance of your new shower system. Please read this manual thoroughly before installation and keep it for future reference.



The ARCORA Matte Black Shower Faucet Set installed in a modern bathroom setting.

2. PRODUCT OVERVIEW AND PACKAGE CONTENTS

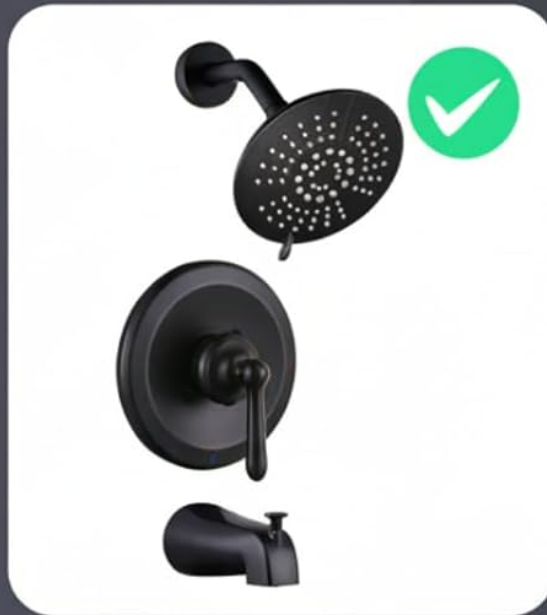
The ARCORA Shower Faucet Set is a single-handle tub and shower trim kit designed for modern bathrooms. It includes a 6-inch rain showerhead and a high-flow tub spout, all in a matte black finish. The system features a cUPC certified pressure balance valve for consistent water temperature.

Package Contents:

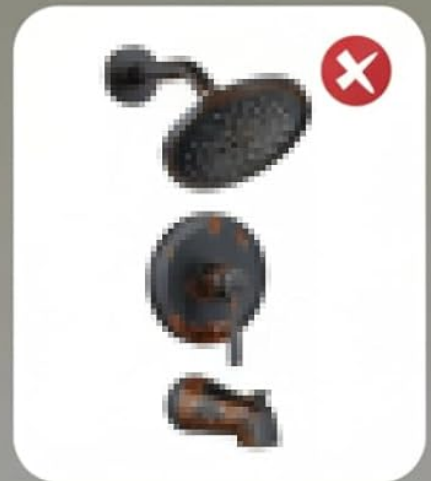
- Shower Head
- Shower Arm
- Shower Mixer Valve (Pressure Balance Valve)
- Shower Valve Escutcheon
- Shower Handle
- Tub Spout
- Installation Manual
- Mounting Hardware and Accessories (screws, gloves, etc.)

WHY CHOOSE US

Ours



Others



Main Body Material

Brass & 304 stainless steel

zinc alloy

Shower Head

360° Adjustable & 5 mode

non-adjustable & 1 mode

Flow Rate

High flow rate

low flow rate

High Pressure Valve

Precise temperature control

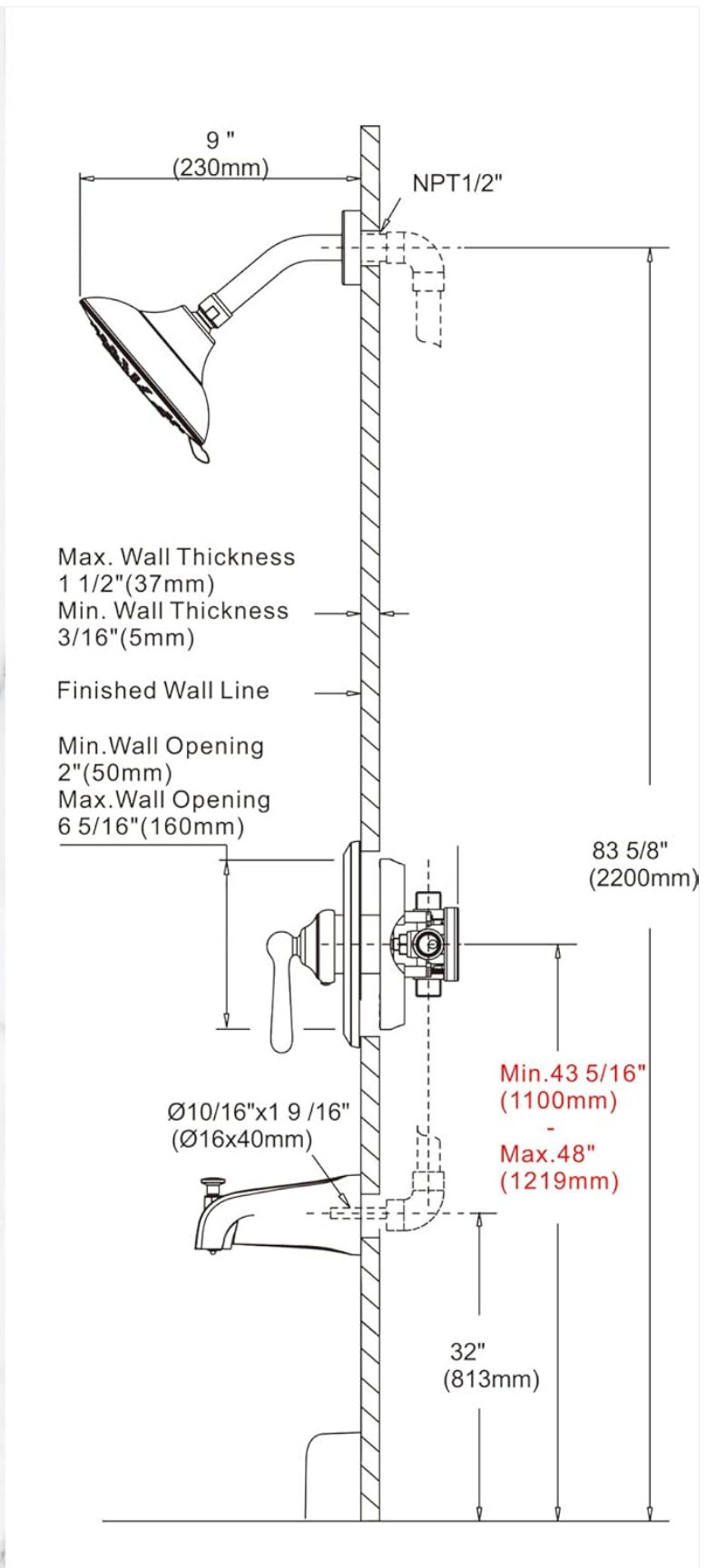
sudden temperature changes

All components included in the ARCORA Shower Faucet Set.

3. SPECIFICATIONS

Brand	ARCORA
-------	--------

Model Number	AR9103400B
Color	Matte Black
Material	Brass, Stainless Steel
Number of Handles	1
Mounting Type	Wall Mount
Shower Head Size	6 inches
Valve Type	Pressure Balance Valve (cUPC Certified)
Item Weight	5.5 Pounds



Dimensional drawing of the ARCORA Shower Faucet Set components.

4. SAFETY INFORMATION

- **IMPORTANT NOTICE:** The ARCORA shower trim kit is not compatible with other brands of valves and cartridges. The old shower valve must be removed when installing this bathroom shower faucet set.
- Before installation, turn off the main water supply to prevent water flow and potential hazards.
- Wear appropriate personal protective equipment, such as gloves and eye protection, during installation.

- Ensure all connections are secure to prevent leaks.
- If you are unsure about any step of the installation process, consult a qualified plumber.



Warning regarding valve compatibility: Only ARCORA valves are compatible with this trim kit.

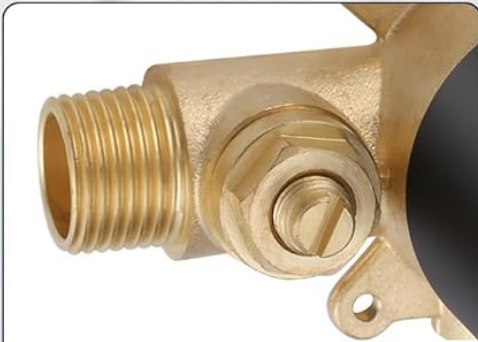
5. INSTALLATION GUIDE

Before beginning, ensure you have all necessary tools and that the main water supply is turned off. It is recommended to have a professional plumber perform the installation if you are not experienced with plumbing work.

5.1 Valve Installation

1. Prepare the wall opening for the valve.
2. Connect the cold and hot water pipes to the designated inlets on the valve body. Ensure proper sealing.
3. Connect the shower outlet pipe and the bathtub tap outlet pipe to the valve.
4. Secure the valve body within the wall, ensuring it is flush with the finished wall line.

Showerhead Connector (NPT 1/2")



Water Flow Adjustment

For the first use, please turn it counterclockwise.



Brass Body

Hot water Connector

(NPT 1/2")



cUPC Certification
Pressure Balance
Cartridge

Cold water Connector

(NPT 1/2")



Bathtub Faucet Connector (NPT 1/2")

Detailed view of the cUPC certified pressure balance valve connections.

Your browser does not support the video tag.

Video demonstrating the installation process for the shower faucet set.

5.2 Tub Spout Installation

1. Apply plumber's tape to the threads of the tub spout pipe extending from the wall.
2. Slide the 5 3/8" slip-on tub spout onto the pipe and secure it.
3. Ensure the tub spout is firmly attached and properly aligned.



5.3 Showerhead Installation

1. Apply plumber's tape to the threads of the shower arm.
2. Thread the shower arm into the wall connection.
3. Attach the showerhead to the shower arm. Adjust its position and angle as desired.

5.4 Handle and Escutcheon Installation

1. Remove the plastic cover from the valve.
2. Install the panel (escutcheon) on the valve using a screwdriver.
3. Install the handle onto the valve stem and secure it with the provided Allen key.

6. OPERATION

The ARCORA Shower Faucet Set features a single handle for temperature and flow control, and a diverter on the tub spout to switch between tub and shower functions.

6.1 Water Flow and Temperature Control

- Turn the single handle to adjust water temperature from cold to hot. The pressure balance valve maintains consistent water pressure to prevent sudden temperature fluctuations.
- Move the handle up or down to control the water flow rate.

6.2 Showerhead Spray Settings

The 6-inch rain showerhead offers 5 spray settings. Rotate the showerhead face or a designated selector to switch between modes:

- Rain
- Pulsating Massage
- SPA Massage
- Rain + Pulsating Massage
- Rain + SPA Massage

5-SPRAY SETTINGS SHOWED HEAD



The 5-spray settings available on the ARCORA rain showerhead.

6.3 Tub Spout Diverter

- To fill the bathtub, ensure the diverter knob on the tub spout is in the "down" or closed position.
- To activate the showerhead, pull the diverter knob on the tub spout "up".

7. MAINTENANCE

Proper maintenance will ensure the longevity and optimal performance of your ARCORA Shower Faucet Set.

7.1 Cleaning

- Clean the faucet and showerhead regularly with a soft cloth and mild soap.
- Avoid abrasive cleaners, harsh chemicals, or scouring pads, as these can damage the matte black finish.
- The showerhead features self-cleaning silicone nozzles. Gently rub the nozzles to remove any mineral buildup.

7.2 Valve Cartridge Care

The pressure balance valve cartridge is designed for durability. If you experience issues with temperature control or flow, the cartridge may need inspection or replacement. Refer to the troubleshooting section or contact customer support.

8. TROUBLESHOOTING

Problem	Possible Cause	Solution
Water leaks from connections	Loose connections, insufficient plumber's tape.	Tighten connections. Reapply plumber's tape if necessary.
Low water pressure	Partially closed main water supply, clogged showerhead nozzles.	Ensure main water supply is fully open. Clean showerhead nozzles by gently rubbing them.
Water temperature fluctuates	Issue with pressure balance valve cartridge.	Inspect or replace the pressure balance valve cartridge. Ensure proper installation.
Tub spout drips after turning off	Standard feature of pressure-balancing valves.	This is normal. It releases leftover water to protect the internal mechanism and only lasts a few seconds.
Shower and tub run simultaneously	Valve installed too low.	Recommended valve height is 43 5/16" - 48" (1100mm - 1219mm) from the floor. Incorrect height can cause both outlets to run.

9. WARRANTY AND SUPPORT

ARCORA offers a 3-year product support warranty. If you have any concerns or require assistance, please contact our customer service team. We are committed to responding within 24 hours.

For further support, visit the official ARCORA store: [ARCORA Store on Amazon](#).

