

[Manuals.plus](#) /

› [LEDIARY](#) /

› LEDIARY Outdoor Ceiling Fan Instruction Manual

LEDIARY MX-01

LEDIARY Outdoor Ceiling Fan Instruction Manual

Model: **MX-01**

Brand: **LEDIARY**

[Overview](#)

[Safety Information](#)

[Package Contents](#)

[Installation](#)

[Operation](#)

[Maintenance](#)

[Troubleshooting](#)

[Specifications](#)

[Warranty & Support](#)

1. PRODUCT OVERVIEW

The LEDIARY Outdoor Ceiling Fan with Lights (Model MX-01) is designed for versatile outdoor use, providing both air circulation and adjustable lighting. Its robust construction ensures durability in various weather conditions, making it ideal for patios, porches, pergolas, and gazebos.



Figure 1: LEDIARY Outdoor Ceiling Fan in an outdoor setting.

Key Features:

- **Remote Control Convenience:** Easily adjust 6-speed settings, set a timer (1/4/8 hours), and utilize the memory function to recall your preferred settings.
- **IP65 Waterproof & Reversible Motor:** Engineered for outdoor environments, this fan is resistant to rain, humidity, and splashes. The energy-saving DC reversible motor provides cooling airflow in summer and helps redistribute warm air in winter.
- **Easy Plug-and-Play Installation:** No hardwiring required. Features an 8-inch or 12-inch downrod option and a 16.5FT power cord for flexible placement.
- **3-Color Temperature LED Light:** Integrated LED light offers three color temperatures (3000K Warm White, 4000K Neutral White, 6000K Cool White) to suit any ambiance.



Outdoor Waterproof Ceiling Fan



Figure 2: Overview of fan features.

2. IMPORTANT SAFETY INFORMATION

Please read all instructions carefully before installation and use. Retain this manual for future reference.

- **Electrical Safety:** Ensure the power supply is disconnected before installation, cleaning, or maintenance. Use only with a grounded outlet. Do not modify the plug or power cord.
- **Installation Location:** Install the fan in a location where the blades are at least 7 feet (2.1 meters) from

the floor and clear of any obstructions. Ensure the mounting structure can support the fan's weight.

- **Outdoor Use:** While IP65 waterproof, avoid submerging the fan in water. Do not expose to extreme weather conditions beyond its rating.
- **Blade Safety:** Never insert objects into the fan blades while the fan is operating. Keep hands, hair, and clothing away from moving parts.
- **Cleaning:** Always unplug the fan before cleaning. Use a soft, damp cloth. Do not use harsh chemicals or abrasive cleaners.
- **Children and Pets:** Keep children and pets away from the fan during operation and ensure they do not tamper with the unit.

3. PACKAGE CONTENTS

Verify that all components are present and undamaged before proceeding with installation.

- LEDIARY Outdoor Ceiling Fan Unit
- Remote Control
- Downrods (8-inch and 12-inch options)
- Mounting Hardware (screws, anchors, etc.)
- Instruction Manual

4. INSTALLATION GUIDE

This fan is designed for plug-and-play installation, requiring no complex hardwiring. Follow these steps for a secure setup.



Figure 3: Simple Installation Steps.

1. **Prepare Mounting Surface:** For wood ceilings, use appropriate screws to drive into the ceiling joist. For cement ceilings, use suitable anchors and screws. Ensure the mounting point is sturdy enough to support the fan.
2. **Attach Coupling Cover:** Install the coupling cover onto your chosen downrod (8-inch or 12-inch).
3. **Secure Downrod:** Insert the downrod pin into the fan's yoke and securely tighten the screws to fix the downrod.
4. **Suspend Fan:** Carefully suspend the fan unit onto the pre-installed mounting bracket on the ceiling.

5. **Adjust Coupling Cover:** Slide the coupling cover downwards to conceal the mounting hardware and wiring connections.
6. **Attach Lampshade:** Screw the lampshade onto the bottom of the fan unit until it is secure.
7. **Plug In:** Connect the 16.5FT power cord to a suitable outdoor-rated, grounded electrical outlet.

Ensure all connections are secure and the fan is stable before operating.

5. OPERATING INSTRUCTIONS

Your LEDIARY Outdoor Ceiling Fan is controlled via the included remote. Ensure batteries are installed correctly in the remote.

Remote Control Functions:



Figure 4: Remote Control Layout and Functions.

- **Power On/Off:** Press the power button to turn the fan and light on or off.
- **Fan Speed (1-6):** Use the numbered buttons (1-6) to select your desired fan speed. Speed 1 is the lowest, 6 is the highest.
- **Light On/Off:** Press the light bulb icon button to toggle the light on or off.
- **Color Temperature (3CCT):** Press the 3CCT button to cycle through the three light color temperatures: 3000K (Warm White), 4000K (Neutral White), and 6000K (Cool White).
- **Timer (1H/4H/8H):** Set the fan to automatically turn off after 1, 4, or 8 hours.
- **Reversible Motor (F/R):** Use the 'F' button for forward (summer) mode to create a cooling breeze, and the 'R' button for reverse (winter) mode to redistribute warm air.
- **Memory Function:** The fan remembers your last used speed, light setting, and motor direction.

Remote Control Function

Memory Function: Wind Speed Memory; Reversible Memory; Light Memory

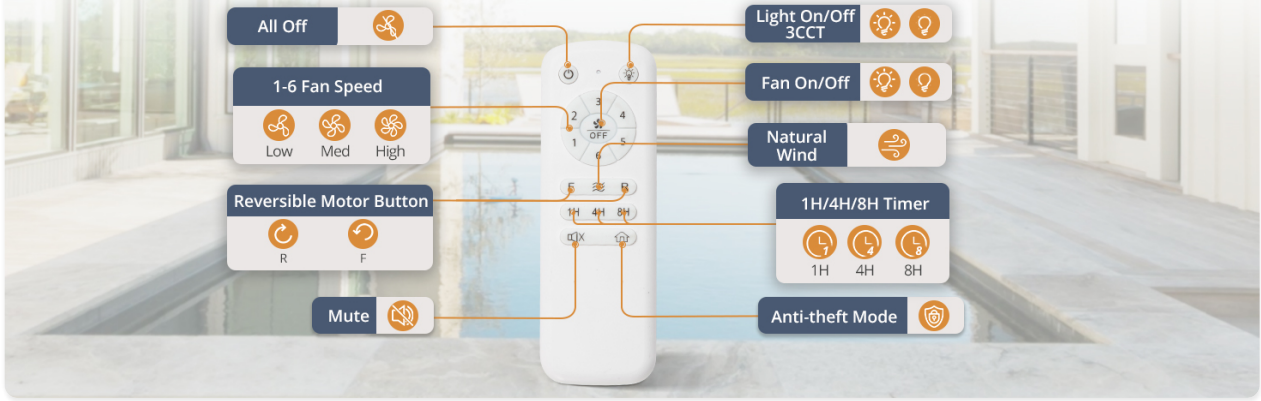


Figure 5: Adjustable 3-Color Temperature LED Light.



Reversible DC Motor

Cool in summer, warm in winter



Figure 6: Reversible DC Motor for year-round comfort.

6. CARE AND MAINTENANCE

Regular maintenance will ensure the longevity and optimal performance of your LEDIARY Outdoor Ceiling Fan.

- **Cleaning:** Always disconnect power before cleaning. Use a soft, lint-free cloth to wipe down the fan housing and blades. For stubborn dirt, a slightly damp cloth with mild soap can be used, then wipe dry

immediately. Do not use abrasive materials or harsh chemicals.

- **Blade Inspection:** Periodically check the fan blades for any signs of damage or warping. Ensure they are securely attached.
- **Mounting Check:** Annually inspect the mounting hardware to ensure all screws and connections remain tight and secure.
- **Motor Care:** The DC motor is designed for long-term, maintenance-free operation. Do not attempt to lubricate the motor.
- **Storage:** If storing the fan for an extended period, ensure it is clean and dry. Store in a cool, dry place away from direct sunlight.

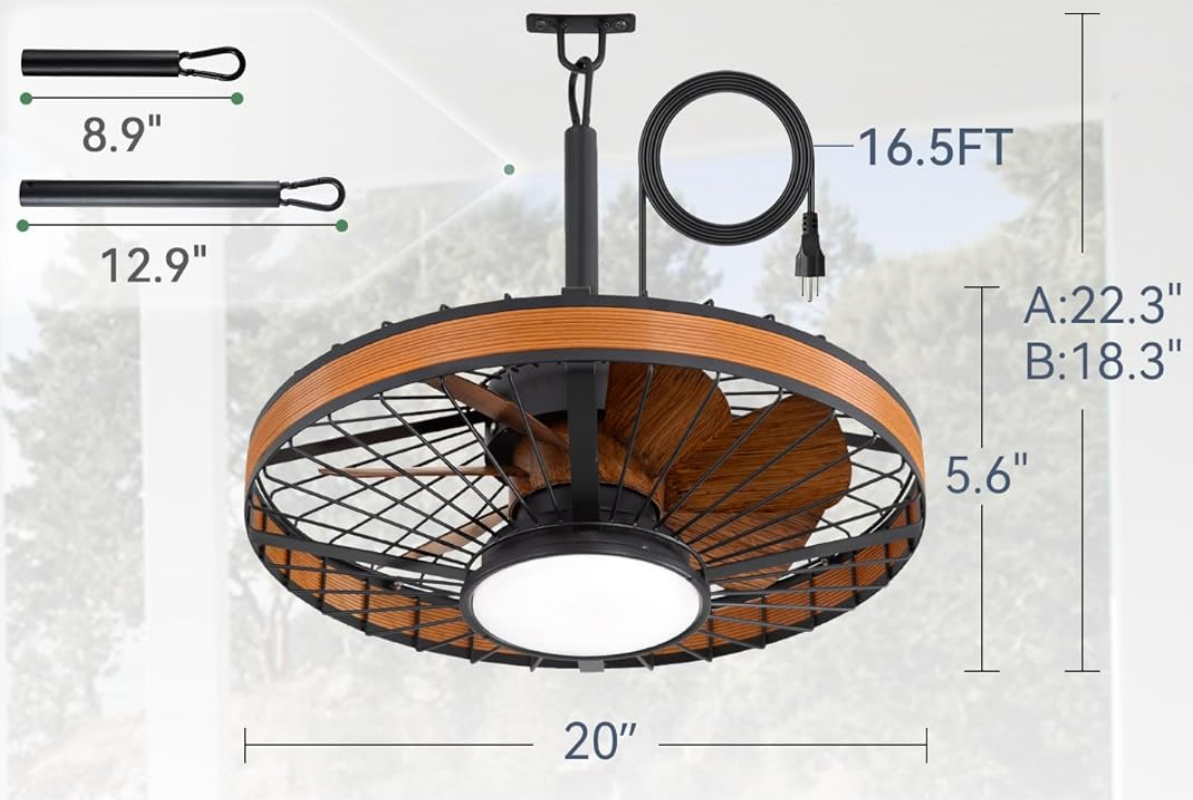
7. TROUBLESHOOTING GUIDE

Before contacting customer service, please refer to the following common issues and their solutions.

Problem	Possible Cause	Solution
Fan does not turn on.	No power to the fan; Remote control batteries are dead; Remote not paired.	Check power outlet and circuit breaker. Replace remote batteries. Refer to remote pairing instructions (if applicable, usually automatic for plug-in fans).
Fan makes grinding noise.	Loose components; Obstruction; Fan blades hitting housing.	Ensure all mounting screws are tight. Check for any foreign objects near the blades. Inspect blades for damage or misalignment. If noise persists after 24 hours of operation, contact customer support.
Light does not work.	Light is off; Power issue; LED module failure.	Press the light button on the remote. Check power supply. If still not working, contact customer support.
Remote control not responding.	Dead batteries; Obstruction between remote and receiver; Remote out of range.	Replace batteries. Ensure clear line of sight to the fan's receiver. Move closer to the fan.
Fan wobbles.	Loose mounting; Unbalanced blades.	Ensure mounting bracket and downrod connections are secure. Check if blades are bent or damaged.

8. PRODUCT SPECIFICATIONS

Information



-  **Blades: ABS*7**
-  **Waterproof: IP65**
-  **LED Light: 3CCT**
-  **Motor Type: DC**
-  **Fan Speeds: 6 Speed**
-  **Certificate: FCC**
-  **Luminous Flux: 1800LM**
-  **Reversible: YES**

Figure 7: Product Dimensions and Key Specifications.

Feature	Detail
Brand	LEDIARY
Model Name	MX-01 (Y24FSD0038-7801)
Size	20 inch

Feature	Detail
Color	Brown
Material	Metal
Light Fixture Form	Ceiling Fan Light
Room Type	Porch, Outdoor Gazebo Patios
Indoor/Outdoor Usage	Outdoor
Power Source	AC/DC (Plug-in)
Installation Type	Semi Flush Mount
Special Features	Waterproof (IP65), LED Light, Timer, Reversible Motor
Control Method	Remote
Light Source Type	Dimmable LED (3CCT)
Number of Light Sources	3 (implied by 3CCT)
Voltage	120 Volts (AC)
Wattage	18 watts (for light)
Brightness	1800 lumen
Fan Speeds	6 Speeds
Blade Material	ABS*7 (7 ABS Blades)
Motor Type	DC
Power Cord Length	16.5 FT
Item Weight	15.22 pounds
Package Dimensions	20 x 20 x 9.5 inches
Country of Origin	China

9. WARRANTY AND CUSTOMER SUPPORT

LEDIARY is committed to providing exceptional customer service and stands behind the quality of its products.

- **Warranty:** This product comes with a **2-year warranty** from the date of purchase. This warranty covers manufacturing defects and material flaws under normal use. It does not cover damage caused by improper installation, misuse, accidents, or unauthorized repairs.
- **Customer Service:** If you have any questions, concerns, or require assistance with your LEDIARY Outdoor Ceiling Fan, please do not hesitate to contact our professional support team.

- **Contact Information:** For support, please visit the LEDIARY store on Amazon or refer to the contact details provided on your purchase receipt.

We are dedicated to ensuring your complete satisfaction.