

[Manuals.plus](#) /

> [vidaXL](#) /

> VidaXL Ottoman Bed Frame 140x200 cm, Black Velvet with Storage - Instruction Manual

**vidaXL 3310969**

# VidaXL Ottoman Bed Frame 140x200 cm, Black Velvet with Storage - Instruction Manual

## 1. INTRODUCTION

This manual provides detailed instructions for the assembly, operation, and maintenance of your VidaXL Ottoman Bed Frame. Designed for both comfort and practicality, this bed frame features a soft velvet finish and integrated under-bed storage with a hydraulic lift mechanism. Please read this manual thoroughly before beginning assembly or using the product to ensure safe and correct operation.

### Key Features:

- Soft and comfortable black velvet upholstery.
- Spacious under-bed storage for optimal space utilization.
- Integrated hydraulic lift mechanism for easy access to storage.
- Slatted base provides excellent mattress support, eliminating the need for a box spring.

## 2. SAFETY INFORMATION

Before assembly and use, please read and understand all safety warnings to prevent injury or damage to the product.

- This furniture must be assembled correctly. Incorrect assembly can lead to instability and potential hazards.
- The maximum load capacity for this bed frame is **280 kg**. Do not exceed this weight limit.
- Keep small parts and packaging materials away from children during assembly to prevent choking hazards.
- Ensure the bed frame is placed on a level and stable surface.
- Do not allow children to play on or around the hydraulic lift mechanism.

## 3. SETUP AND ASSEMBLY

Assembly is required for this bed frame. Please ensure you have all components and the necessary tools before beginning. While assembly can be complex, carefully following the instructions will ensure proper construction.

### 3.1. Preparation

- Unpack all components and lay them out on a clean, soft surface to prevent scratches.
- Verify that all parts listed in the included assembly manual are present.
- Ensure you have the required tools (e.g., screwdriver, wrench) as specified in the assembly manual.

### 3.2. Assembly Steps

Refer to the included assembly manual for detailed, step-by-step instructions and diagrams. It is crucial to follow these instructions precisely.

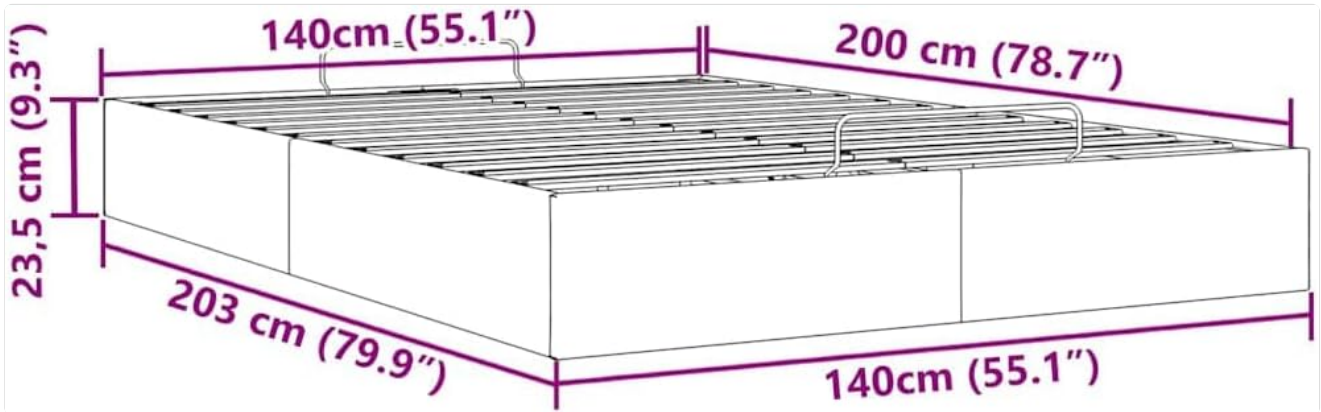


Figure 1: Dimensions of the bed frame, useful for planning placement.

#### Important Notes:

- Do not overtighten screws during initial assembly; tighten fully once all components are in place.
- Some users have noted that assembly can be challenging. Take your time and carefully review each step.
- Ensure all connections are secure before placing a mattress on the frame.



*Figure 2: Assembled bed frame with storage compartment open.*

## **4. OPERATING THE HYDRAULIC LIFT MECHANISM**

The VidaXL Ottoman Bed Frame features a hydraulic lift mechanism for convenient access to the under-bed storage area.

### **4.1. Opening the Storage**

1. Ensure there are no items on the bed that could fall or obstruct the lifting process.
2. Stand at the foot end of the bed.
3. Gently pull the handle (or edge of the frame) upwards. The hydraulic system will assist in smoothly lifting the slatted base and mattress.
4. Hold the bed frame in the open position if necessary, or allow the hydraulics to hold it up.

### **4.2. Closing the Storage**

1. Ensure no objects are obstructing the closing path of the bed frame.
2. Gently push down on the slatted base from the foot end.

3. Continue pushing until the bed frame locks securely into its closed position.



*Figure 3: Detailed view of the hydraulic lift mechanism.*



*Figure 4: Components of the hydraulic lifting system.*

## **5. MAINTENANCE**

Regular cleaning and care will help maintain the appearance and functionality of your bed frame.

### **5.1. Velvet Fabric Care**

- Gently vacuum the velvet upholstery regularly using a soft brush attachment to remove dust and debris.
- For spills, blot immediately with a clean, dry, absorbent cloth. Do not rub, as this can damage the fabric pile.
- For stubborn stains, it is recommended to consult a professional upholstery cleaner. Avoid using harsh chemicals or abrasive cleaners.



*Figure 5: Close-up of the black velvet fabric.*

## **5.2. Frame and Mechanism Care**

- Periodically check all screws, bolts, and connections to ensure they are tight. Retighten as necessary to maintain the bed frame's stability.
- Keep the hydraulic lift mechanism free from dust and debris. Do not apply lubricants unless specifically instructed by the manufacturer.
- Wipe metal and engineered wood surfaces with a soft, damp cloth. Dry immediately.

## 6. TROUBLESHOOTING

If you encounter issues with your VidaXL Ottoman Bed Frame, refer to the following common problems and solutions:

- **Difficulty during assembly:** Some users report assembly can be complex. Ensure all parts are correctly oriented according to the manual. Do not force components together. If screws do not grip, re-check the part orientation and ensure you are using the correct hardware for each step.
- **Slats feel loose or do not secure properly:** Verify that all wooden slats are correctly inserted into their plastic holders and that any securing mechanisms are fully engaged. Ensure the mattress is evenly distributed across the slats. A mattress topper can help distribute weight evenly and mitigate minor slat issues.
- **Hydraulic lift not operating smoothly or not staying open/closed:** Ensure the bed is empty of heavy items before attempting to lift. Check for any obstructions in the mechanism's path. If the issue persists, ensure the hydraulic pistons are correctly installed and not damaged. Contact customer support if the problem continues.
- **Bed frame feels unstable or wobbly:** Double-check that all bolts and screws are fully tightened. Ensure the bed frame is on a flat, even surface.

## 7. SPECIFICATIONS

Feature	Detail
Brand	vidaXL
Model Number	3310969
Color	Black
Style	Modern
Upholstery Fabric Type	Velvet (100% polyester)
Frame Material	Metal, Plywood, Engineered Wood
Total Dimensions (L x W x H)	203 x 140 x 23.5 cm
Suitable Mattress Size (W x L)	140 x 200 cm (Mattress not included)
Weight Limit	280 kg
Item Weight	53.9 kg
Special Features	Hydraulic lift mechanism for under-bed storage
Assembly Required	Yes



*Figure 6: VidaXL Ottoman Bed Frame (closed view).*

## **8. WARRANTY**

This VidaXL Ottoman Bed Frame comes with a limited warranty. For specific details regarding warranty coverage, terms, and conditions, please refer to the warranty documentation included with your purchase. In case of a warranty claim, retain your proof of purchase.

## **9. CUSTOMER SUPPORT**

For further assistance, missing parts, or any inquiries not covered in this manual, please contact VidaXL customer service. You can typically find contact information on the VidaXL official website or through the retailer where the product was purchased.

You can also visit the VidaXL store on Amazon for more information and support: [VidaXL Store](#)

