

[Manuals.plus](#) /

> [KAI-ROAD](#) /

> KAI-ROAD Small Makeup Vanity Desk with Lights - Gold Small Model KLYZXVD60G2D-ML Instruction Manual

KAI-ROAD KLYZXVD60G2D-ML

KAI-ROAD Small Makeup Vanity Desk with Lights

Model: KLYZXVD60G2D-ML (Gold Small)

1. IMPORTANT SAFETY INFORMATION

Please read all instructions carefully before assembly and use. Keep this manual for future reference.

- **Assembly:** Be cautious of sharp edges and pinch points during assembly.
- **Electrical:** Ensure proper grounding and do not overload power outlets. Always unplug when not in use.
- Do not allow children to climb on the vanity desk or stool.
- Place the vanity on a stable, level surface.

2. PRODUCT OVERVIEW

The KAI-ROAD Small Makeup Vanity Desk is designed for compact spaces, featuring an LED mirror, two storage drawers, a foldable side panel, and integrated power outlets. A matching stool is included for comfortable use.



Image 2.1: KAI-ROAD Small Makeup Vanity Desk with LED Mirror and Stool. This image displays the complete vanity set, including the desk, mirror, and stool, positioned next to a bed in a bedroom setting.

2.1 Components

- Vanity Desk Frame (Metal)
- Desk Top with Drawers (Engineered Wood)
- LED Mirror
- Foldable Side Panel
- Power Outlet Unit (2 AC, 2 USB)
- Stool (Metal frame, Faux Leather seat)
- Assembly Hardware

2.2 Dimensions

Product Dimensions

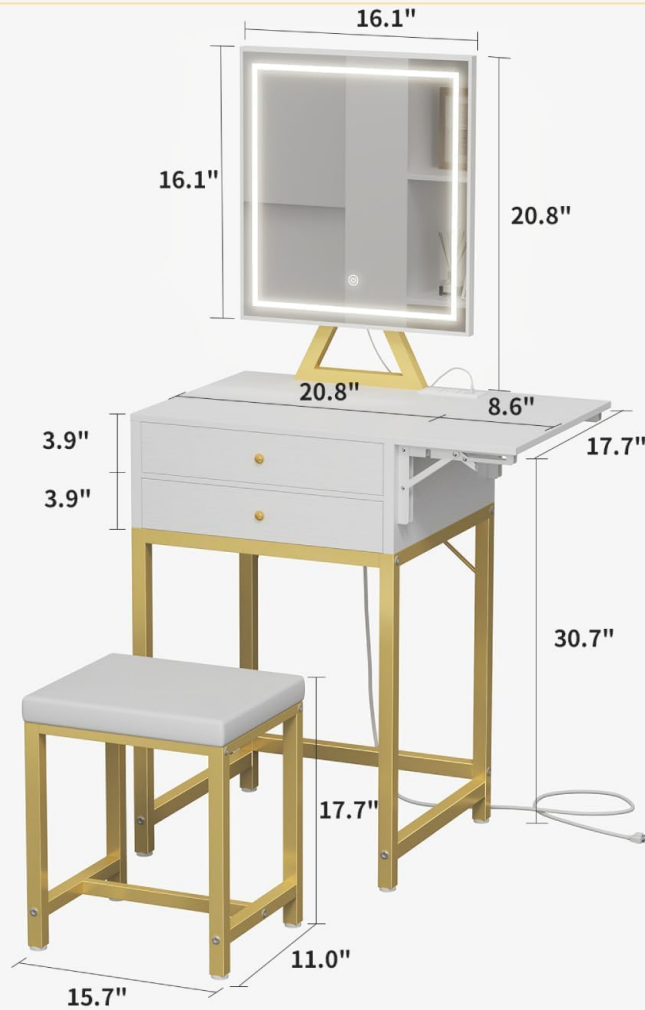


Image 2.2: Product Dimensions Diagram. This diagram illustrates the various measurements of the vanity desk and mirror, including height, width, and depth of each component.

- **Overall Product Dimensions:** 17.7"D x 19.9"W x 52"H
- **Item Depth:** 15.7 inches
- **Item Weight:** 40 pounds
- **Seat Height:** 17.7 Inches

3. SETUP AND ASSEMBLY

Assembly is required. It is recommended to have two people for easier and safer assembly. Ensure all parts are present before beginning.

1. **Unpack Components:** Carefully remove all parts from the packaging and lay them out on a clean, soft surface to prevent scratches. Verify all hardware is included.
2. **Assemble Desk Frame:** Attach the metal frame components according to the provided diagrams in the separate assembly guide. Ensure all screws are tightened securely.
3. **Attach Desk Top:** Secure the desk top, which includes the drawers and integrated power

outlet, to the assembled metal frame.

4. **Install LED Mirror:** Position and secure the LED mirror to the designated area on the desk top. Connect the mirror's power cable to the integrated power outlet.
5. **Assemble Stool:** Attach the stool legs to the seat cushion using the provided hardware.
6. **Connect Power:** Plug the vanity's main power cord into a wall outlet.

4. OPERATING INSTRUCTIONS

4.1 LED Mirror Operation

3 Lighting Mode

||| Long Press Adjust Brightness



Image 4.1: LED Mirror 3 Lighting Modes. This image shows the mirror's touch control and illustrates the three available light settings: Cool White, Warm White, and Warm Yellow.

- **Power On/Off:** Touch the power icon on the mirror surface to turn the LED lights on or off.
- **Change Light Mode:** Short-press the power icon to cycle through the three lighting modes: Cool White, Warm White, and Warm Yellow.
- **Adjust Brightness:** Long-press the power icon to adjust the brightness level within the selected light mode. Release when desired brightness is achieved.

4.2 Integrated Power Outlet



Image 4.2: Built-in Power Strip Design. This image highlights the integrated power strip on the vanity desk, showing two AC outlets and two USB ports, along with the 4.9-foot power cord.

- The vanity desk includes 2 standard AC outlets (120V/12A) and 2 USB ports (5V/2A) for charging electronic devices and powering beauty tools.
- Plug devices directly into the available outlets. Do not exceed the maximum load capacity.

4.3 Foldable Side Panel



Expand it when you need more space



Folded to make it compact

Drop Leaf Countertop

Image 4.3: Drop Leaf Countertop. This image demonstrates the foldable side panel in its extended position, providing additional surface area for items like a hairdryer.

- The side panel can be extended to provide additional countertop space when needed.
- To extend, gently pull the panel outwards and ensure the support mechanism is locked into place.
- To fold, release the support mechanism and push the panel inwards until it is flush with the desk.

4.4 Storage Drawers

Spacious Drawer

Keep your makeup collection organized and easily accessible



Image 4.4: Spacious Drawers for Organization. This image shows the two drawers pulled open, revealing organized compartments for various cosmetic items and accessories.

- The vanity features two large drawers for organizing cosmetics and accessories.
- Pull the gold knobs to open the drawers.

5. MAINTENANCE AND CARE

- **Cleaning:** Wipe the vanity desk and mirror surfaces with a damp cloth. Avoid harsh chemicals or abrasive cleaners.
- **Stool Care:** The faux leather seat can be wiped clean with a damp cloth.
- **Electrical Components:** Keep the power outlets and USB ports free from dust and debris. Do not expose to liquids.
- **Hardware:** Periodically check and tighten all screws and fasteners to ensure stability.

6. TROUBLESHOOTING

- **LED Mirror Lights Not Working:**
 - Ensure the vanity's main power cord is securely plugged into a functional wall outlet.
 - Check if the mirror's power cable is properly connected to the integrated power outlet.
 - Try short-pressing and long-pressing the touch sensor to ensure it responds.
- **Drawers Do Not Close Fully:**
 - Inspect the drawer slides for any obstructions.
 - Ensure the drawers are correctly aligned on their tracks.
- **Stool Feels Unstable:**
 - Check all screws on the stool frame and tighten them if loose.
- **Power Outlets Not Functioning:**
 - Verify the vanity is plugged into a live power source.
 - Test with a different device to rule out device issues.
 - Avoid overloading the outlets with too many high-power devices.

7. SPECIFICATIONS

Feature	Detail
Brand	KAI-ROAD
Model Number	KLYZXVD60G2D-ML
Color	Gold
Size	Small
Frame Material	Metal
Desk Material	Engineered Wood
Stool Seat Material	Faux Leather
Product Dimensions	17.7"D x 19.9"W x 52"H
Item Weight	40 pounds
Power Outlets	2 AC (120V/12A), 2 USB (5V/2A)
Assembly Required	Yes

8. WARRANTY AND SUPPORT

For warranty information or product support, please contact KAI-ROAD customer service. Details are

typically provided with your purchase documentation or on the official KAI-ROAD website.

Please have your model number (KLYZXVD60G2D-ML) and purchase date available when contacting support.

© 2025 KAI-ROAD. All rights reserved.