

43-98-0731

# User Manual: Bevel Adjustment Knob

Model: 43-98-0731 | Brand: Generic

## PRODUCT OVERVIEW

This document provides instructions for the installation, operation, and maintenance of the Generic 43-98-0731 Bevel Adjustment Knob, a direct replacement part for Milwaukee M18 Brushless 7-1/4" 2631-20 Circular Saws.



Image 1: The Generic 43-98-0731 Bevel Adjustment Knob. This black plastic knob features a central threaded metal insert for secure attachment.

## **SAFETY INFORMATION**

Always ensure the power tool is disconnected from its power source (battery removed or unplugged) before performing any maintenance, installation, or replacement of parts. Wear appropriate personal protective equipment (PPE) such as safety glasses and gloves. If you are unsure about any step, consult a qualified technician.

## **INSTALLATION INSTRUCTIONS**

The 43-98-0731 Bevel Adjustment Knob is designed as a direct replacement part. Refer to the exploded diagram below for component identification and placement.

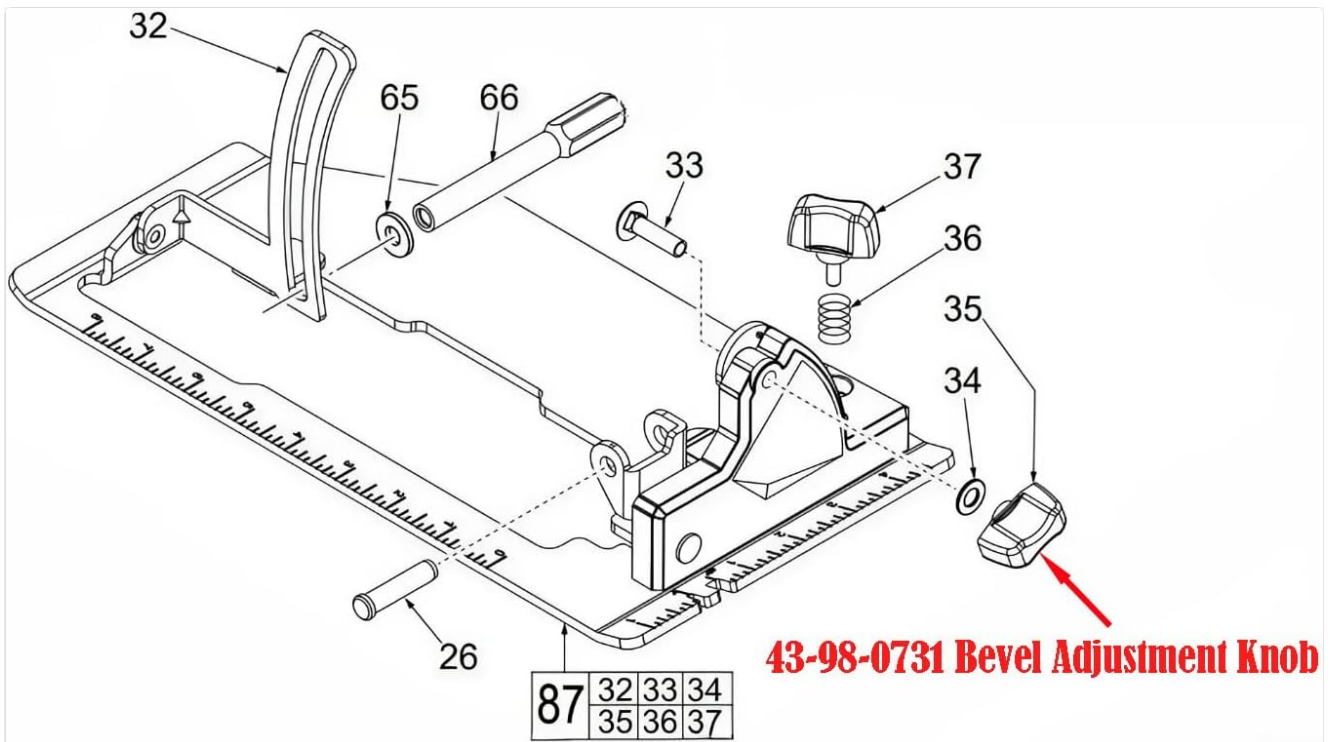


Image 2: Exploded diagram of the Milwaukee M18 Circular Saw's bevel adjustment mechanism. The 43-98-0731 Bevel Adjustment Knob is indicated by the red arrow and corresponds to part number 34 in the diagram.

1. **Preparation:** Ensure the Milwaukee M18 Circular Saw (model 2631-20) is powered off and the battery pack is removed. Place the saw on a stable, clean surface.
2. **Locate the Bevel Adjustment Mechanism:** Identify the existing bevel adjustment knob or the location where it should be installed on the saw's base plate assembly. Refer to part number 34 in Image 2.
3. **Remove Old Knob (if applicable):** If replacing an old knob, unscrew it counter-clockwise until it detaches from the threaded stud.
4. **Install New Knob:** Align the new 43-98-0731 Bevel Adjustment Knob with the threaded stud (part number 35 in Image 2) on the saw's bevel adjustment mechanism.
5. **Secure the Knob:** Turn the knob clockwise to thread it onto the stud. Tighten it firmly by hand until it is secure, but do not overtighten.
6. **Test Functionality:** Once installed, test the knob by loosening and tightening it to ensure it properly locks and unlocks the saw's bevel angle adjustment.

## OPERATING THE BEVEL ADJUSTMENT KNOB

The bevel adjustment knob allows you to change the angle of the saw blade relative to the base plate for angled cuts.

- **To Adjust Bevel Angle:** Loosen the 43-98-0731 Bevel Adjustment Knob by turning it counter-clockwise. This will allow the saw's base plate to pivot.
- **Set Desired Angle:** Adjust the base plate to the desired bevel angle, typically indicated by markings on the saw's base.
- **Lock Angle:** Once the desired angle is set, tighten the bevel adjustment knob firmly by turning it clockwise until the base plate is securely locked in position.

## MAINTENANCE

The 43-98-0731 Bevel Adjustment Knob requires minimal maintenance.

- **Cleaning:** Periodically wipe the knob and surrounding area with a clean, dry cloth to remove dust and debris. Avoid using harsh chemicals or solvents.
- **Inspection:** Regularly inspect the knob for any signs of wear, cracks, or damage. Ensure it threads smoothly and securely.
- **Lubrication:** No lubrication is typically required for this part.

## TROUBLESHOOTING

Problem	Possible Cause	Solution
Knob is loose or doesn't tighten	Cross-threaded, stripped threads on knob or stud, incorrect part.	Remove and re-thread carefully. If threads are stripped, replacement of the knob or the stud may be necessary. Ensure it's the correct part for your saw.
Knob is difficult to turn	Debris in threads, overtightened, misaligned.	Clean threads. Do not overtighten. Ensure proper alignment during installation.

## SPECIFICATIONS

- **Part Number:** 43-98-0731
- **Compatibility:** Milwaukee M18 Brushless 7-1/4" Circular Saw (Model 2631-20)
- **Material:** Plastic
- **Color:** Black
- **Manufacturer:** Generic
- **Voltage (Saw Compatibility):** 18 Volts (DC)

## WARRANTY INFORMATION

No specific warranty information is provided for this replacement part. Please refer to the original purchase documentation or contact the seller for details regarding any applicable warranty.

## CUSTOMER SUPPORT

For further assistance or inquiries regarding the 43-98-0731 Bevel Adjustment Knob, please contact the seller or the manufacturer, Generic.

You may also refer to the official Milwaukee M18 Circular Saw 2631-20 user manual for general saw operation and maintenance.

