



[Manuals.plus](#) /

> [sweeek](#) /

> sweeek Danglars 4-Burner Outdoor Kitchen BBQ Instruction Manual

sweeek 3701672509941

sweeek Danglars 4-Burner Outdoor Kitchen BBQ Instruction Manual

Model: 3701672509941

INTRODUCTION

Welcome to your new sweeek Danglars 4-Burner Outdoor Kitchen BBQ. This manual provides essential information for the safe assembly, operation, and maintenance of your outdoor gas grill. Please read it thoroughly before use to ensure proper functionality and safety.



Image: The sweeek Dangler's 4-Burner Outdoor Kitchen BBQ, showcasing its full setup with side tables and integrated storage, ready for use in an outdoor setting.

IMPORTANT SAFETY INSTRUCTIONS

Always follow these safety guidelines to prevent injury or damage to property.

- This appliance is for outdoor use only. Do not operate indoors.
- Keep children and pets away from the BBQ at all times, especially when in use.
- Ensure adequate ventilation around the BBQ. Do not use in an enclosed space.
- Do not store or use gasoline or other flammable vapors and liquids in the vicinity of this or any other appliance.
- Always check for gas leaks before each use. Use a soapy water solution on connections; bubbles indicate a leak.
- Use only Butane or Propane gas with this BBQ. Ensure the correct regulator is used.
- Never leave the BBQ unattended when lit or in operation.
- Allow the BBQ to cool completely before cleaning, moving, or covering.
- Wear protective gloves when handling hot components.

PACKAGE CONTENTS

Before beginning assembly, ensure all components listed below are present and undamaged.

- Main BBQ unit with 4 integrated burners
- 3 Cast iron cooking grates
- 2 Detachable side tables with storage shelves, removable baskets, and hooks
- Grease collector
- Built-in thermometer (on lid)
- Bottle opener
- Assembly hardware kit
- User Manual

SETUP AND ASSEMBLY

The sweeek Dangler BBQ requires assembly. Follow these general steps. Refer to the included assembly diagrams for detailed instructions and component identification.

1. Unpack all components from the packaging and verify against the package contents list.
2. Attach the main BBQ unit to the frame structure using the provided hardware.
3. Install the 4 stainless steel burners into their designated positions.
4. Place the 3 cast iron cooking grates onto the burner support frame.
5. Mount the two detachable side tables. These tables provide convenient space for food preparation and storage, and can be removed if needed. Secure any included storage shelves, baskets, and hooks.
6. Connect the gas hose and regulator (not included) to the gas cylinder (Butane or Propane) and the BBQ unit's gas inlet. Ensure all connections are tight and perform a leak test using a soapy water solution.
7. Attach the grease collector beneath the main cooking area.
8. Ensure all wheels are securely attached to the base for easy mobility of the unit.



Image: A close-up of the sweeek Danglars BBQ's control knobs, bottle opener, and integrated storage for spices and utensils, highlighting the functional design.

OPERATING INSTRUCTIONS

Gas Connection

- Ensure the gas cylinder is placed on a stable, level surface away from the BBQ unit.
- Connect the gas cylinder (Butane or Propane) to the BBQ's regulator and hose. Hand-tighten all connections securely.
- Slowly open the gas cylinder valve.

Ignition (Piezo)

- Always ensure the BBQ lid is open before attempting to light the burners.
- Turn one burner control knob to the **HIGH** position.
- Press and hold the ignition button (Piezo igniter) until the burner lights. You should hear a clicking sound followed

by the sound of gas igniting.

- If the burner does not light within 5 seconds, turn the control knob to **OFF**, wait 5 minutes for gas to dissipate, and then repeat the ignition process.
- Once one burner is lit, you can light the other burners by simply turning their respective control knobs to the **HIGH** position.

Cooking

- The BBQ features 4 independent burners, allowing for versatile cooking zones and precise temperature control.
- Use the integrated thermometer on the lid to monitor the internal temperature of the cooking chamber without needing to open the lid.
- Adjust individual burner controls to achieve the desired cooking temperature for different foods.

Shutting Down

- After cooking, turn all burner control knobs to the **OFF** position.
- Close the gas cylinder valve completely.
- Allow the BBQ to cool completely before covering or moving it.



Image: A detailed view of the sweeek Danglars BBQ's lid, featuring the integrated thermometer, and the four control knobs for independent burner operation.

MAINTENANCE

Regular maintenance ensures the longevity and safe operation of your BBQ.

Cleaning the Cooking Grates

- After each use, once the grates have cooled, clean them thoroughly with a grill brush to remove food residue.
- For deeper cleaning, remove the cast iron grates and wash them with warm, soapy water. Rinse thoroughly and dry completely to prevent rust.

Grease Collector

- The BBQ is equipped with a removable grease collector. Regularly check and empty the grease collector to prevent flare-ups and maintain hygiene.
- Remove the collector, dispose of accumulated grease, and wash with warm, soapy water.

Exterior Cleaning

- Clean the epoxy-painted steel exterior surfaces with a damp cloth and a mild detergent. Avoid using abrasive cleaners or scouring pads, which can damage the finish.

Storage

- When not in use for extended periods, store the BBQ in a dry, protected area.
- Consider using a weather-resistant BBQ cover to protect the unit from the elements.



Image: The right side table of the sweeek Danglars BBQ, illustrating its practical features including utensil hooks and a paper towel holder, aiding in efficient outdoor cooking and cleanup.

TROUBLESHOOTING

Refer to this section for common issues and their solutions.

Burner Not Lighting

- **Check Gas Supply:** Ensure the gas cylinder valve is fully open and there is sufficient gas in the cylinder.
- **Check Connections:** Verify all gas hose and regulator connections are secure and free of leaks.
- **Igniter Spark:** Observe if the piezo igniter produces a visible spark when pressed. If not, the igniter may need adjustment or replacement.
- **Clogged Burner Ports:** Inspect burner ports for any debris or food residue that might be blocking gas flow. Clean if necessary.

Uneven Heating

- **Clean Burners:** Ensure burner ports are clean and free of any blockages.
- **Gas Pressure:** Check the gas pressure and ensure the regulator is functioning correctly.

Excessive Flare-ups

- **Clean Grease Collector:** Empty and clean the grease collector regularly to prevent grease buildup.
- **Trim Fat:** Trim excess fat from meats before grilling to reduce dripping.
- **Reduce Heat:** Lower burner settings if flare-ups occur. Move food to a cooler part of the grill if necessary.

SPECIFICATIONS

Detailed technical specifications for the sweeek Danglars 4-Burner Outdoor Kitchen BBQ.

Feature	Detail
Brand	sweeek
Model Name	Danglars
Model Number	3701672509941
Material	Epoxy-painted Steel (frame), Cast Iron (cooking grates), Stainless Steel (burners)
Color	Black
Number of Burners	4
Burner Power	12 kW (total)
Ignition Type	Piezo
Fuel Type	Gas (Butane or Propane)
Cooking Grates	3, Cast Iron
Cooking Surface Area	930 cm ²
Grill Height	85.5 cm
Thermometer	Integrated in lid
Side Tables	2, Detachable, with storage shelves, removable baskets, and hooks
Grease Collector	Yes (11.5 x 18 x 3.5 cm)
Bottle Opener	Yes
Dimensions (Open)	L 223.5 x W 60.5 x H 144 cm
Dimensions (Closed)	L 223.5 x W 54.5 x H 111 cm
Weight	52.6 kg

Assembly Required	Yes
-------------------	-----

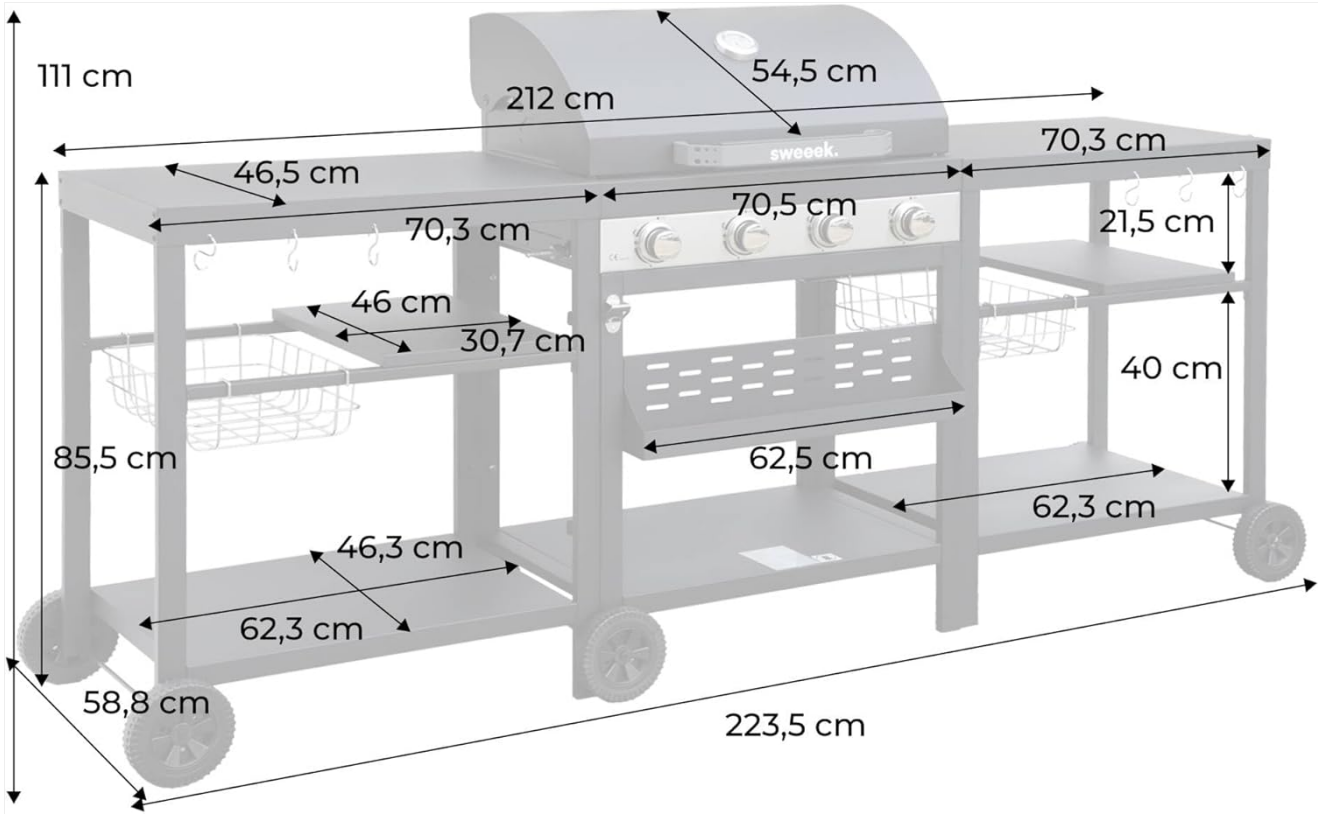


Image: A technical diagram providing detailed measurements and dimensions of the sweeek Danglars 4-Burner Outdoor Kitchen BBQ.

WARRANTY AND SUPPORT

For warranty information, terms, and conditions, please refer to the documentation provided at the time of purchase. Keep your proof of purchase for any warranty claims.

For technical support, spare parts, or any other inquiries regarding your sweeek Danglars BBQ, please contact sweeek customer service directly through their official channels. Contact information can typically be found on the product packaging or the manufacturer's website.