



[Manuals.plus](#) /

> [Max & Lily](#) /

> Max & Lily Upholstered Full Bed Frame with Rectangular Headboard, Model 1800146000-B01 - Instruction Manual

Max & Lily 1800146000-B01

Max & Lily Upholstered Full Bed Frame with Rectangular Headboard - Instruction Manual

Model: 1800146000-B01 | Brand: Max & Lily

INTRODUCTION

This manual provides comprehensive instructions for the assembly, operation, maintenance, and troubleshooting of your Max & Lily Upholstered Full Bed Frame. Please read all instructions carefully before assembly and retain this manual for future reference.

SAFETY INFORMATION

Important Safety Warnings:

- Do not exceed the maximum weight capacity of **400 pounds**. Exceeding this limit may result in structural failure and injury.
- Always follow the assembly instructions carefully to prevent instability or collapse. Incorrect assembly can lead to serious injury.
- This product is designed for children's use but requires adult assembly and supervision.
- Regularly check all connections and fasteners to ensure they remain tight. Retighten as necessary.
- Keep small parts away from children during assembly to prevent choking hazards.
- Ensure the bed is placed on a level surface.

PACKAGE CONTENTS

Before beginning assembly, verify that all components are present and undamaged. If any parts are missing or damaged, do not proceed with assembly and contact customer support.

- Upholstered Headboard
- Upholstered Side Rails (2)

- Upholstered Footboard
- Plywood Slat Roll
- Support Legs
- Hardware Pack (screws, bolts, washers, Allen wrench)
- Assembly Instructions

SETUP AND ASSEMBLY

Estimated Assembly Time: 1-2 hours

Required Tools: Included Allen wrench. A Phillips head screwdriver may be helpful (not included).

Assistance: Assembly is recommended with 2 or more adults.

Assembly Steps:

1. **Unpack Components:** Carefully remove all parts from the packaging. Lay them out on a soft, clean surface to prevent scratches.
2. **Attach Side Rails to Headboard:** Align the side rails with the pre-drilled holes on the headboard. Secure them using the provided bolts and washers. The bed frame features metal-on-metal structural connections for stability. Do not fully tighten until all connections are made.
3. **Attach Side Rails to Footboard:** Connect the other end of the side rails to the footboard, ensuring proper alignment. Secure with bolts and washers.
4. **Install Center Support:** If your model includes a center support beam or legs, install them now according to the specific diagrams in your included instruction sheet.
5. **Insert Slat Roll:** Unroll the plywood slat roll across the bed frame. Ensure the slats are evenly spaced and secured to the side rails using the pre-drilled holes and screws. The slat roll provides a stable foundation for your mattress.
6. **Final Tightening:** Once all components are assembled, go back and securely tighten all bolts and screws. Do not overtighten.



Image: Internal structure of the bed frame showing the wooden slat support system.



Image: Side profile of the bed frame, highlighting the upholstered finish and slat system.

OPERATING INSTRUCTIONS

This bed frame is designed to accommodate a standard full-size mattress. A box spring is not required due to the integrated slat support system.

- **Mattress Thickness:** For optimal performance and safety, use a mattress that is at least 8 inches thick.
- **Placement:** Position the bed frame on a flat, stable floor surface.
- **Weight Distribution:** Ensure weight is distributed evenly across the sleeping surface.



Image: The Max & Lily Upholstered Full Bed Frame with a mattress and bedding in a decorated room.

MAINTENANCE AND CARE

Proper care will extend the life and appearance of your upholstered bed frame.

- **Cleaning:** For general cleaning, spot clean the chenille upholstered fabric with a damp cloth. Avoid using harsh chemicals or abrasive cleaners, as these may damage the fabric.
- **Spills:** Blot spills immediately with a clean, dry cloth. Do not rub.
- **Structural Check:** Periodically inspect all bolts and connections to ensure they are tight. Retighten as needed to maintain stability.
- **Avoid Direct Sunlight:** Prolonged exposure to direct sunlight may cause the fabric to fade.



Image: Detailed view of the upholstered headboard, showing the fabric texture.

TROUBLESHOOTING

If you encounter issues with your bed frame, refer to the following common problems and solutions:

Problem	Possible Cause	Solution
Bed feels wobbly or unstable.	Loose connections or uneven floor.	Ensure all bolts and screws are securely tightened. Check if the bed is on a level surface.
Squeaking noises.	Loose hardware or friction between parts.	Tighten all assembly hardware. If squeaking persists, disassemble and reassemble, ensuring all parts are correctly aligned.
Difficulty assembling parts.	Misalignment or incorrect hardware.	Refer to the assembly diagrams. Ensure you are using the correct hardware for each step. Do not force parts together.

SPECIFICATIONS

Feature	Detail
Model Number	1800146000-B01
Product Dimensions (L x W x H)	79.25" x 58.5" x 39.5" (201.3 cm x 148.6 cm x 100.3 cm)
Size	Full Bed
Color	Cream
Material	Knot-free solid pine wood, engineered wood, polyester chenille upholstery
Weight Capacity	400 pounds
Mattress Compatibility	Standard Full-size mattress (minimum 8 inches thick)
Assembly Required	Yes
Item Weight	80.5 pounds (36.5 kg)
UPC	810162344702

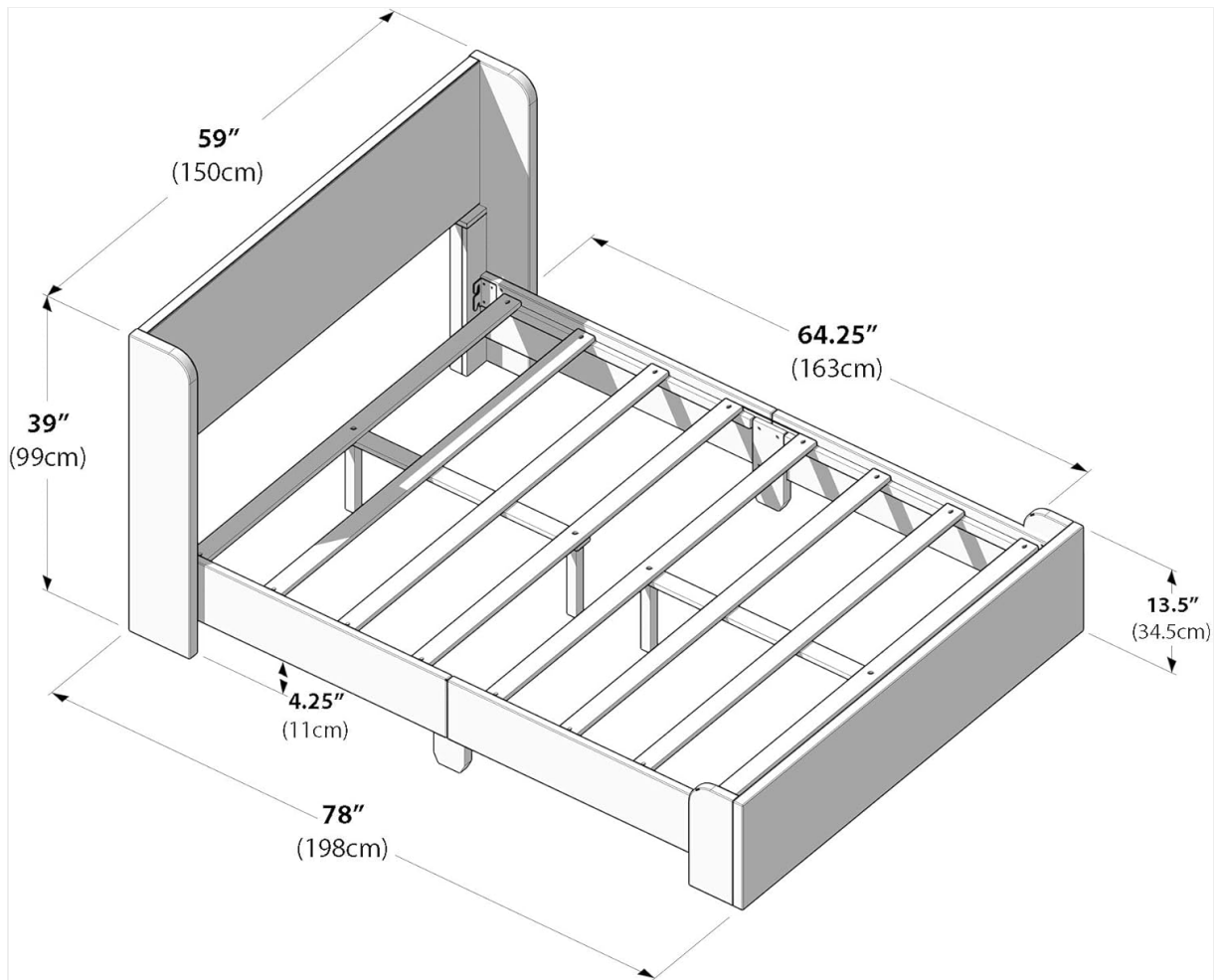


Image: Representative dimensional diagram of a bed frame, indicating length, width, and height measurements. Refer to specifications table for exact product dimensions.

WARRANTY AND SUPPORT

Max & Lily products are designed for quality and durability. For specific warranty information, please refer to the documentation included with your purchase or visit the official Max & Lily website.

If you require assistance with assembly, missing parts, or have any questions regarding your product, please contact Max & Lily customer support. You can find contact information on the brand's official website or through your retailer.

For more information about Max & Lily products, visit the [Max & Lily Brand Store](#).