

[Manuals.plus](#) /

> [SHIDU](#) /

> SHIDU 20W Portable Voice Amplifier M200 User Manual

## SHIDU M200

# SHIDU 20W Portable Voice Amplifier M200 User Manual

Model: M200

---

## 1. PRODUCT OVERVIEW

---

The SHIDU M200 is a versatile 20W portable voice amplifier designed to provide clear and powerful sound in various settings. It features a wireless lavalier microphone, Bluetooth connectivity, and multiple playback options, making it suitable for teachers, presenters, tour guides, and outdoor activities.



Image: SHIDU M200 Voice Amplifier and its wireless lavalier microphone.

## Key Features:

- **20W Clear & Powerful Sound:** Delivers crystal-clear audio with zero distortion, effectively covering an audience of 50+ people.
- **Wireless Lavalier Microphone:** Equipped with a reliable UHF signal for freedom of movement.
- **Bluetooth 5.0 Connectivity:** Allows wireless streaming of music or speeches, doubling as a portable Bluetooth speaker.
- **Long Battery Life:** Built-in 2600mAh rechargeable battery provides up to 12 hours of continuous use.
- **Fast Charging:** Fully charges in approximately 3 hours.
- **Compact & Lightweight:** Weighs only 0.56 lb (238 grams), making it highly portable.
- **Multi-Functional Playback:** Supports audio playback via Bluetooth, TF card, and USB drive.

## 2. PACKAGE CONTENTS

Please check the package for the following items:

- SHIDU M200 Voice Amplifier Unit

- Wireless Lavalier Microphone
- USB Charging Cable
- Adjustable Shoulder/Waist Strap
- User Manual (this document)



Image: The SHIDU M200 Voice Amplifier, wireless microphone, charging cable, and strap as included in the package.

### 3. CONTROLS AND PORTS

#### Voice Amplifier Unit:

- **ON/OFF & Volume Control:** Rotary knob on the side to power on/off and adjust volume.
- **MIC Jack:** 3.5mm input for wired microphone (if desired).
- **TF Card Slot:** For playing audio from a TF (MicroSD) card.
- **USB Port:** For playing audio from a USB flash drive.
- **DC 5V Charging Port:** USB-C port for charging the amplifier.
- **Mode Button:** To switch between Bluetooth, TF card, and USB modes.
- **Playback Control Buttons:** Next, Play/Pause, Previous, Recording.

#### Wireless Lavalier Microphone:

- **Power Button:** To turn the microphone on/off.
- **Volume Buttons:** To adjust microphone input volume.
- **Clip:** For attaching to clothing.
- **USB-C Charging Port:** For charging the microphone.

# Small but **20W** high-power

Clear and loud



Image: Close-up of the voice amplifier's side panel, highlighting the power/volume knob, microphone jack, TF card slot, USB port, and DC 5V charging port.

# High capacity battery

Type-C Rechargeable



Image: Close-up of the wireless lavalier microphone, showing its power button and volume controls.

## 4. SETUP

1. **Charge the Devices:** Before first use, fully charge both the voice amplifier and the wireless microphone using the provided USB charging cable. The charging port for the amplifier is DC 5V, and the microphone also uses a USB-C port.
2. **Attach the Strap:** Connect the adjustable shoulder/waist strap to the designated loops on the voice amplifier unit for hands-free portability.
3. **Power On Amplifier:** Rotate the ON/OFF & Volume Control knob clockwise to power on the amplifier.

4. **Power On Microphone:** Press and hold the power button on the wireless lavalier microphone until the indicator light turns on. The microphone should automatically pair with the amplifier.
5. **Position Microphone:** Clip the wireless microphone to your lapel or collar, ensuring it is close enough to your mouth for optimal voice pickup.

## AI SMART NOISE REDUCTION

Use **DSP** technology to make your voice cleaner and clearer

$\geq 80$  db SNR       $-50$  db Noise Reduction       $+15$  db Voice Boost



Image: The SHIDU M200 Voice Amplifier with its shoulder strap attached, alongside the wireless microphone.

## 5. OPERATING INSTRUCTIONS

### Basic Amplification:

1. Ensure both the amplifier and microphone are powered on and paired.

2. Speak into the wireless microphone.
3. Adjust the volume using the rotary knob on the amplifier and the volume buttons on the microphone for desired output.

# Multi-Functional Voice Amplifiers



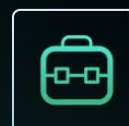
Bluetooth



20W



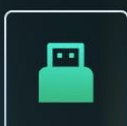
2600mAh



Portable



Music Player



USB



TF Card



Wireless



Image: A teacher wearing the SHIDU M200 Voice Amplifier with the wireless microphone clipped to her shirt, addressing students in a classroom.

## Bluetooth Pairing:

1. Turn on the voice amplifier.
2. Press the 'Mode' button until the amplifier enters Bluetooth mode (indicated by a specific light or voice prompt).
3. On your device (smartphone, tablet, etc.), enable Bluetooth and search for available devices.

4. Select 'SHIDU M200' from the list to pair.
5. Once paired, you can play audio from your device through the amplifier.

### Using with TF Card/USB Drive:

1. Insert a TF card or USB drive containing audio files into the respective slot/port on the amplifier.
2. Press the 'Mode' button to switch to TF card mode or USB mode.
3. Use the playback control buttons (Next, Play/Pause, Previous) to manage your audio.



Image: Illustration of the SHIDU M200's AI Smart Noise Reduction technology, showing improved signal-to-noise ratio and voice boost.

## 6. MAINTENANCE

- **Cleaning:** Use a soft, dry cloth to clean the exterior of the amplifier and microphone. Do not use liquid cleaners or solvents.
- **Storage:** Store the device in a cool, dry place away from direct sunlight and extreme temperatures.
- **Battery Care:** To prolong battery life, avoid fully discharging the battery frequently. Charge the device regularly, even if not in use for extended periods.
- **Avoid Water:** The device is not waterproof. Keep it away from water and moisture.

## 7. TROUBLESHOOTING

Problem	Possible Cause	Solution
No sound from amplifier	Amplifier or microphone is off; low battery; not paired; volume too low.	Ensure both devices are on and charged. Check pairing status. Increase volume.
Feedback/Screeching noise	Microphone too close to amplifier; volume too high.	Increase distance between microphone and amplifier. Lower the volume.
Microphone not pairing	Microphone not powered on; out of range.	Ensure microphone is powered on. Bring microphone closer to the amplifier.

Problem	Possible Cause	Solution
Cannot play from TF card/USB	Incorrect mode; unsupported file format; corrupted media.	Press 'Mode' button to select correct input. Ensure audio files are in supported format (e.g., MP3). Try a different TF card/USB drive.

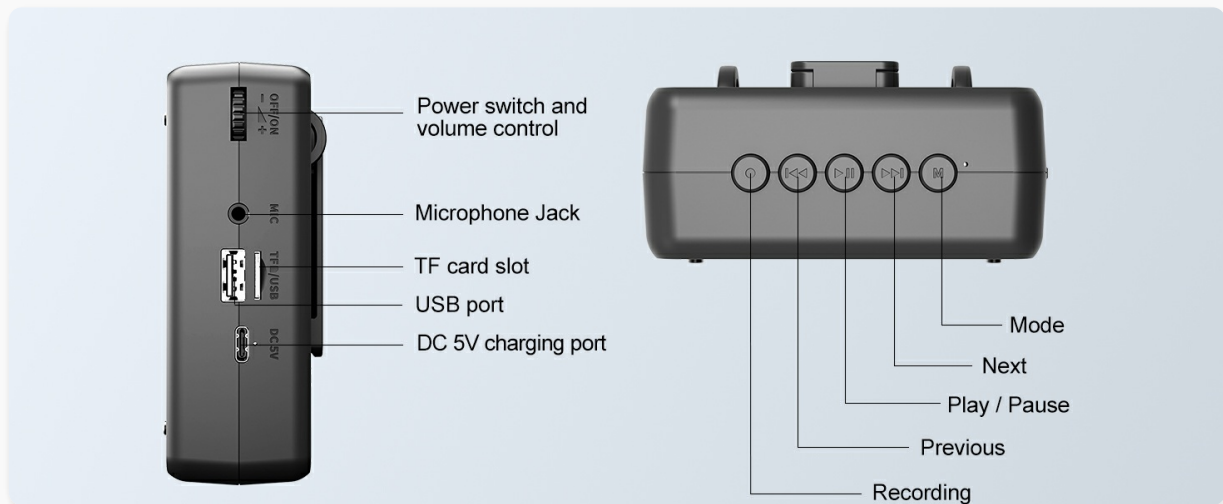


Image: An illustration showing correct and incorrect microphone placement to prevent audio feedback.

## 8. SPECIFICATIONS

Feature	Detail
Brand	SHIDU
Model Number	M200
Output Wattage	10 Watts (Note: Product title states 20W, but specifications list 10W. Please refer to product packaging for definitive wattage.)
Item Dimensions (L x W x H)	3.11 x 1.46 x 4.39 inches
Item Weight	238 Grams (0.56 lb)
Connectivity Technology	Bluetooth
Compatible Devices	Audio Sources (Bluetooth/TF Card/USB), Bluetooth Devices, Wireless Microphone
Power Source	Battery Powered (2600mAh)
Charging Time	Approx. 3 hours
Usage Time	Up to 12 hours (continuous use)
Connector Type	USB

Feature	Detail
Enclosure Material	Plastic
Color	Black

## 9. WARRANTY AND SUPPORT

---

The SHIDU M200 Voice Amplifier comes with a **1-Year Manufacturer Warranty**. For any product-related inquiries, technical assistance, or warranty claims, please contact SHIDU customer support.

You can visit the official SHIDU Store on Amazon for more information and support:

[Visit the SHIDU Store](#)