



[Manuals.plus](#) /

› [FitStand](#) /

› FitStand Adjustable Overbed Bedside Table Model 2816 Instruction Manual

## FitStand 2816

# FitStand Adjustable Overbed Bedside Table Model 2816 Instruction Manual

## INTRODUCTION

---

This manual provides comprehensive instructions for the assembly, operation, maintenance, and troubleshooting of your FitStand Adjustable Overbed Bedside Table, Model 2816. Please read this manual thoroughly before use to ensure safe and efficient operation of your product.



*Image: The FitStand Adjustable Overbed Bedside Table, Model 2816, shown with a laptop and a cup holder attached, highlighting its primary use as a mobile workstation.*

## PRODUCT FEATURES

- **Easy Height Adjustments:** The table features a pneumatic gas spring system allowing for one-handed height adjustments from 26 inches to 41.7 inches. This enables seamless transitions between various tasks

and positions.

- **Effortless Mobility:** Equipped with hidden casters, the table can be easily moved and positioned. These casters are designed to fit under furniture with bases 1.2 inches or higher, making it suitable for tight spaces. Please note that movement may be restricted on low-pile rugs.
- **Artisanal Wood-Finish Edging:** The tabletop features a meticulously crafted wood-tone edging, providing an aesthetic and natural appearance.
- **Spacious Desktop:** The desktop measures 27.6 inches wide by 15.7 inches deep, providing ample space for most laptops, tablets with keyboards, or other items.
- **Quick Setup:** The table is designed for quick assembly, typically taking approximately 10 minutes to set up with the included tools and instructions.



*Image: A detailed diagram illustrating the table's key design elements, including the convenient cup holder, the H-shaped stabilizing foot for balance, the handle for easy one-handed height adjustments, and the discreetly integrated hidden casters.*

## SAFETY INFORMATION

- Always follow the assembly instructions carefully.

- Keep fingers and other body parts clear of moving components during height adjustment to prevent injury.
- Do not overload the table. Refer to specifications for weight capacity.
- Ensure the table is stable and level before placing items on it or applying weight.
- Keep the product away from children and pets during assembly and operation to prevent accidents.
- Always use the table on a flat, stable surface.

## PACKAGE CONTENTS

---

Before beginning assembly, please verify that all components are present:

- Tabletop
- Main Support Column with Gas Spring
- Base Frame (H-shaped stabilizing foot)
- Hidden Casters (pre-installed or separate)
- Cup Holder
- Assembly Instructions Manual
- Required Assembly Tools

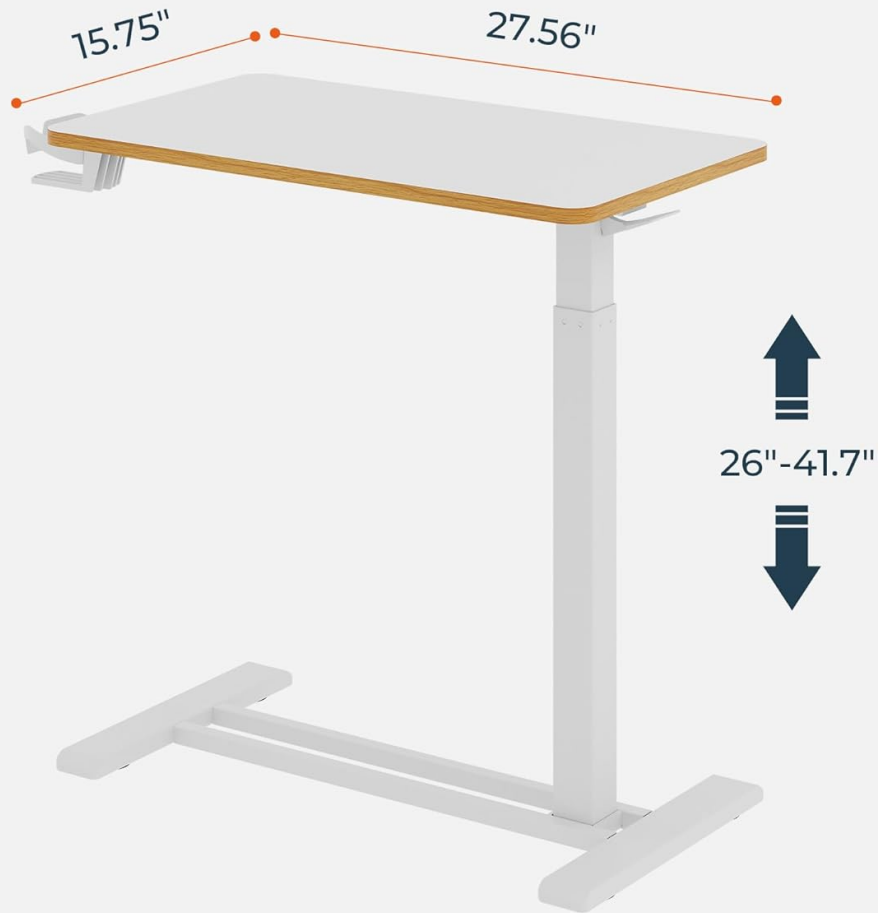
## SETUP INSTRUCTIONS

---

The FitStand Adjustable Overbed Bedside Table is designed for quick and straightforward assembly. Please follow the detailed assembly instructions included in your package.

1. **Unpack Components:** Carefully remove all parts from the packaging and lay them out on a clean, flat surface.
2. **Identify Parts:** Refer to the parts list in the included assembly manual to identify each component.
3. **Assemble Base:** Attach the main support column to the H-shaped base frame using the provided hardware and tools.
4. **Attach Tabletop:** Securely fasten the tabletop to the top of the main support column.
5. **Install Cup Holder:** Attach the cup holder to the designated slot on the side of the tabletop.
6. **Final Check:** Ensure all screws are tightened and the table is stable before use.

## Product Size



*Image: A visual representation of the product's dimensions, indicating a tabletop width of 27.56 inches, a depth of 15.75 inches, and a height adjustment range from 26 inches to 41.7 inches.*

## OPERATING INSTRUCTIONS

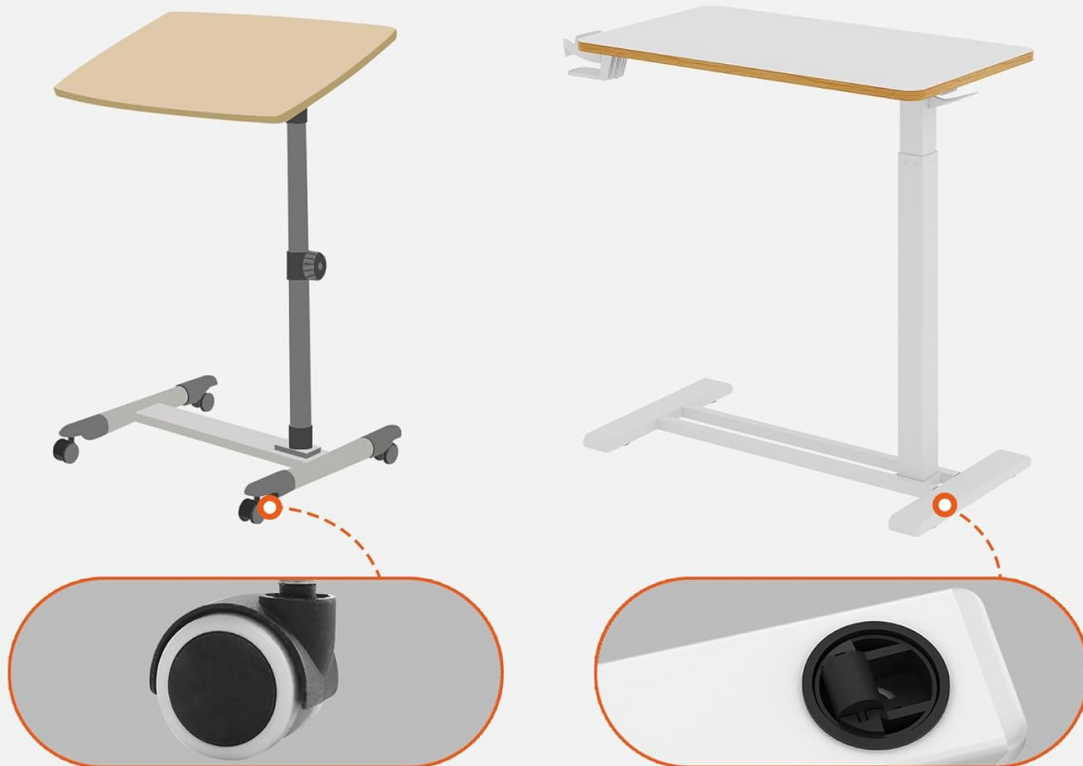
### Height Adjustment

To adjust the table's height, locate the handle on the side of the main support column. Gently lift or press the handle while simultaneously guiding the tabletop to your desired height. The pneumatic gas spring will assist in smooth, effortless movement. Release the handle to lock the table at the chosen height.

### Mobility

The table is equipped with hidden casters for easy movement. To move the table, simply push or pull it to your desired location. Ensure the path is clear of obstacles. The casters are designed to slide under furniture with a clearance of 1.2 inches or more. For optimal movement, use on hard, smooth surfaces. Movement on low-pile rugs may require more effort.

# HIDDEN CASTERS



## OTHERS

Not easy to tuck into  
low-base furniture

## FitStand

Easily tucks under furniture  
with bases higher than 1.2"

*Image: A visual comparison demonstrating the advantage of FitStand's hidden casters, which are designed to easily slide under furniture with a base clearance of 1.2 inches or more, unlike traditional casters that may obstruct movement.*

## Cup Holder Usage

The detachable cup holder provides a convenient place for beverages. Ensure it is securely attached to the tabletop before placing any drinks inside. Avoid placing excessively heavy or unstable containers in the cup holder.

## MAINTENANCE

- **Cleaning:** Wipe the tabletop and frame with a soft, damp cloth. Avoid using abrasive cleaners or harsh chemicals, as these may damage the finish.
- **Regular Checks:** Periodically inspect all screws and connections to ensure they remain tight. Retighten if necessary.
- **Caster Care:** Keep the casters free of debris (hair, dust, etc.) to ensure smooth movement.
- **Gas Spring:** The gas spring mechanism is maintenance-free. Do not attempt to disassemble or lubricate it.

## TROUBLESHOOTING

---

**Problem: Table does not adjust height smoothly.**

**Solution:** Ensure no objects are obstructing the gas spring mechanism. Check if the handle is fully engaged or disengaged. If the issue persists, contact customer support.

**Problem: Table is wobbly or unstable.**

**Solution:** Verify that all assembly screws are securely tightened. Ensure the table is placed on a flat, level surface. Avoid placing excessive weight on one side of the tabletop.

**Problem: Casters are difficult to roll.**

**Solution:** Check the casters for any accumulated debris (e.g., hair, lint) and remove it. Ensure the table is not being used on thick carpeting, which can impede caster movement. If the issue is on a hard floor, ensure the casters are clean.

## SPECIFICATIONS

---

<b>Brand</b>	FitStand
<b>Model</b>	2816
<b>Product Dimensions (D x W x H)</b>	27.56"D x 15.75"W x 25.6"H (minimum height)
<b>Adjustable Height Range</b>	26" to 41.7"
<b>Color</b>	White+Maple
<b>Shape</b>	Rectangular
<b>Table Design</b>	Tray Table
<b>Frame Material Type</b>	Wood
<b>Top Material Type</b>	Engineered Wood
<b>Included Components</b>	Assembly Instructions, Tools
<b>UPC</b>	840460423489

## WARRANTY AND SUPPORT

---

For information regarding product warranty, please refer to the documentation provided at the time of purchase or contact your retailer. Optional protection plans may be available for extended coverage.

For technical support, missing parts, or any questions not covered in this manual, please contact FitStand customer service through the retailer's platform or the official FitStand website.

