

Manuals+

[Q & A](#) | [Deep Search](#) | [Upload](#)

Manuals.plus /

› **MDQMD** /

› MDQMD Modern Black 8-Drawer Dresser Instruction Manual

MDQMD A2024031

MDQMD Modern Black 8-Drawer Dresser Instruction Manual

Model: A2024031

PRODUCT OVERVIEW

Crafted in sophisticated black, this contemporary drawer cabinet features cloud silhouette edges that add whimsical charm to minimalist spaces. The smooth rounded corners create a friendly personality while maintaining clean modern aesthetics for bedrooms and living rooms.

Premium engineered wood construction wears a piano-gloss laminate surface that resists fingerprints and scratches. Provides a smooth and refined finish, enhancing its overall aesthetic appeal.



Image: Front view of the MDQMD Modern Black 8-Drawer Dresser, showcasing its sleek design and eight drawers.

SAFETY INFORMATION

Please read all instructions carefully before assembly and use. Keep this manual for future reference.

- Always assemble the dresser on a soft, clean surface to prevent scratches.
- Ensure all parts are present and undamaged before beginning assembly.
- Do not overtighten screws, as this may damage the material.
- For safety, it is highly recommended to secure the dresser to a wall using an anti-tip kit (if included or purchased separately) to prevent accidental tipping.
- Keep small parts and packaging materials away from children during assembly.
- Do not stand or climb on the dresser.
- Distribute weight evenly across drawers to maintain stability.

PACKAGE CONTENTS

Before starting assembly, verify that all components listed below are present and undamaged. If any parts are missing or damaged, please contact customer support.

Component	Quantity	Description
Top Panel	1	Main tabletop surface.
Side Panels	2	Left and right structural sides.
Base Panel	1	Bottom support panel.
Drawer Fronts	8	Curved front panels for drawers.
Drawer Sides/Backs	Various	Components for assembling 8 drawers.
Drawer Bottoms	8	Base panels for drawers.
Drawer Slides	16 pairs	Metal rails for smooth drawer operation.
Hardware Pack	1	Screws, dowels, cam locks, anti-tip kit.
Assembly Instructions	1	Detailed assembly guide.

ASSEMBLY INSTRUCTIONS

Follow these steps carefully to assemble your MDQMD 8-Drawer Dresser. It is recommended to have two people for assembly.

1. Step 1: Prepare the Workspace

Unpack all components and lay them out on a soft, clean surface (e.g., a rug or cardboard) to prevent damage. Identify each part using the provided labels and the package contents list.

2. Step 2: Assemble the Main Frame

Attach the side panels to the base panel and the top panel using the designated screws and cam locks from the hardware pack. Ensure all connections are secure but do not overtighten.



Image: An illustration demonstrating the assembly of the main dresser frame, connecting side panels to the top and base.

3. **Step 3: Install Drawer Slides**

Securely attach the drawer slides to the interior of the dresser frame and to the side panels of each drawer using the provided screws. Pay attention to the orientation of the slides to ensure smooth operation.

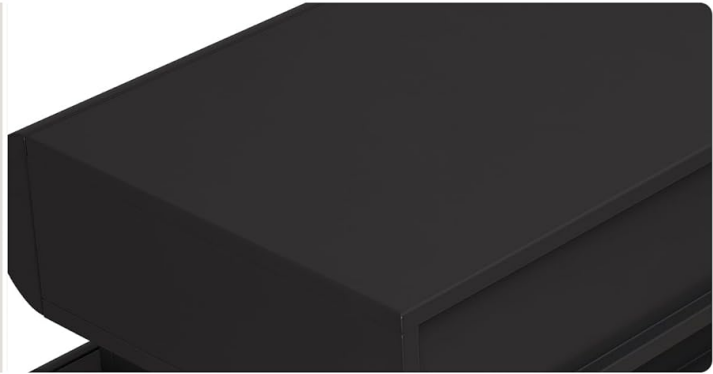
1

SMOOTH SLIDING
DRAWERS



2

FLAT TOP



3

STORAGE
DRAWERS



Image: A detailed view of the smooth sliding drawer mechanism, highlighting the metal rails for easy drawer movement.

4. **Step 4: Assemble the Drawers**

For each of the eight drawers, connect the drawer sides and back to the drawer front. Insert the drawer bottom into the grooves. Secure all parts with the appropriate hardware. Repeat for all eight drawers.

PRODUCT SIZE

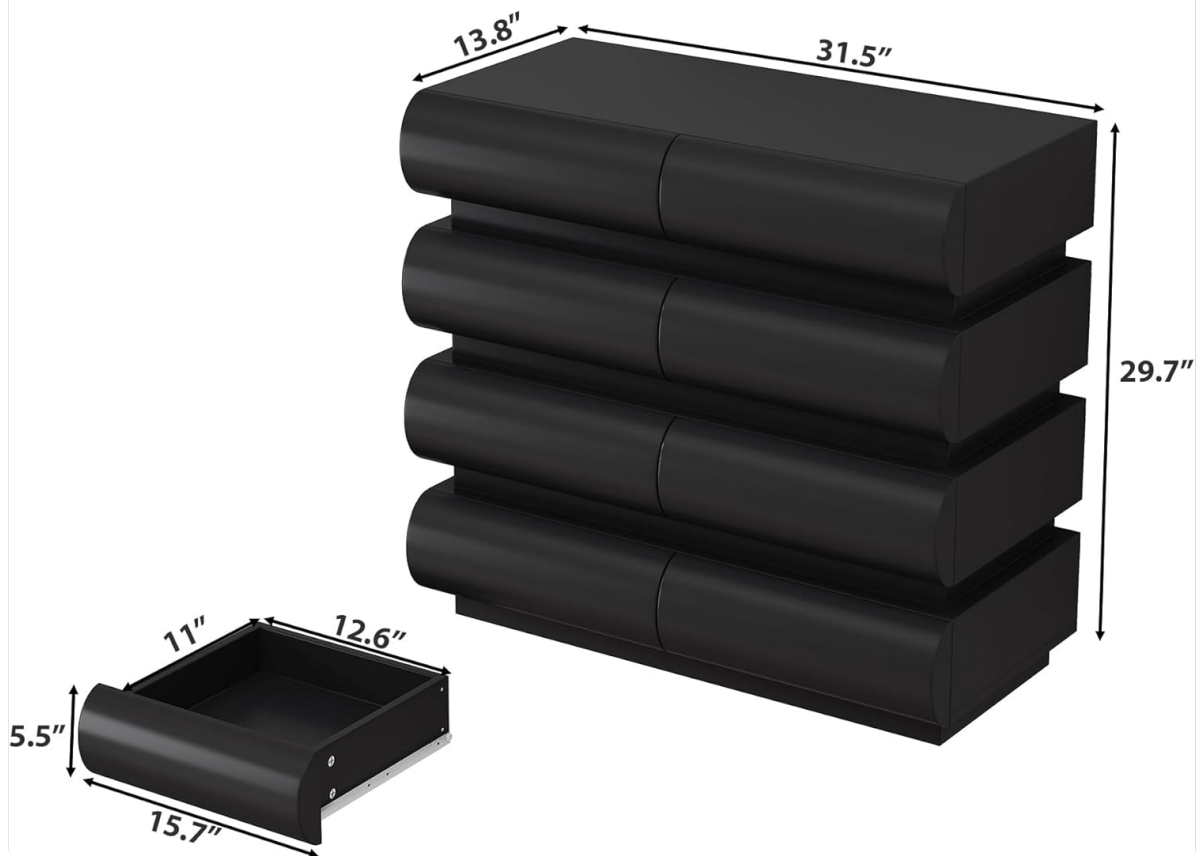


Image: A diagram illustrating the overall product dimensions and a detailed view of a single drawer's components and dimensions.

5. Step 5: Insert Drawers into Frame

Carefully align the assembled drawers with the installed drawer slides on the dresser frame and push them in until they click into place. Test each drawer for smooth operation.



Image: The dresser with several drawers pulled open, demonstrating the spacious storage capacity of each compartment.

6. Step 6: Secure to Wall (Anti-Tip Kit)

For enhanced safety, attach the anti-tip kit to the back of the dresser and to a wall stud using the provided hardware. Follow the specific instructions included with the anti-tip kit.

OPERATING INSTRUCTIONS

Using your MDQMD 8-Drawer Dresser is straightforward. The drawers are designed for smooth and quiet operation.

- **Opening Drawers:** Gently pull the top edge of the drawer front to open. The hidden glide tracks ensure a smooth pull.
- **Closing Drawers:** Push the drawer firmly until it is fully closed and flush with the dresser frame.
- **Weight Distribution:** Distribute items evenly within the drawers. Avoid placing excessively heavy items in a single drawer or on the tabletop to maintain stability and prevent damage.

Your browser does not support the video tag.

Video: A short demonstration of the smooth operation of the dresser drawers, showing them opening and closing effortlessly.

MAINTENANCE AND CARE

To ensure the longevity and appearance of your dresser, follow these care guidelines:

- **Cleaning:** Wipe surfaces with a soft, damp cloth. Avoid using harsh chemicals, abrasive cleaners, or polishes that may damage the piano-gloss laminate finish.
- **Spills:** Clean up spills immediately with a dry cloth to prevent staining or water damage.
- **Sunlight Exposure:** Avoid prolonged exposure to direct sunlight, which can cause fading or discoloration over time.
- **Heat and Moisture:** Keep the dresser away from direct heat sources and areas of high humidity.
- **Drawer Maintenance:** Periodically check drawer slides for any debris and clean as needed to maintain smooth operation.

TROUBLESHOOTING

Problem	Possible Cause	Solution
Drawers do not slide smoothly.	Misaligned drawer slides, debris in tracks, or overtightened screws.	Check that drawer slides are correctly aligned and securely fastened. Clean any debris from the tracks. Loosen screws slightly if overtightened.
Dresser wobbles or is unstable.	Loose connections, uneven floor, or not secured to wall.	Ensure all assembly screws and cam locks are tightened. Place the dresser on a level surface or use shims if necessary. Secure the dresser to the wall using the anti-tip kit.
Drawer does not close flush.	Obstruction in drawer, misaligned drawer front, or full drawer.	Remove items from the drawer to check for obstructions. Verify the drawer front is properly attached and aligned. Ensure the drawer is not overloaded.

PRODUCT SPECIFICATIONS

Feature	Detail
---------	--------

Feature	Detail
Brand	MDQMD
Model Name	A2024031cabinet
Product Dimensions (L x W x H)	13.78"D x 31.5"W x 29.72"H (approx. 75cm x 35cm x 75cm)
Color	Black
Number of Drawers	8
Material	Premium Engineered Wood with Piano-Gloss Laminate Surface
Mounting Type	Floor Mount
Assembly Required	Yes
Item Weight	106.4 Pounds (approx. 48 kg)
Country of Origin	China

PRODUCT SIZE

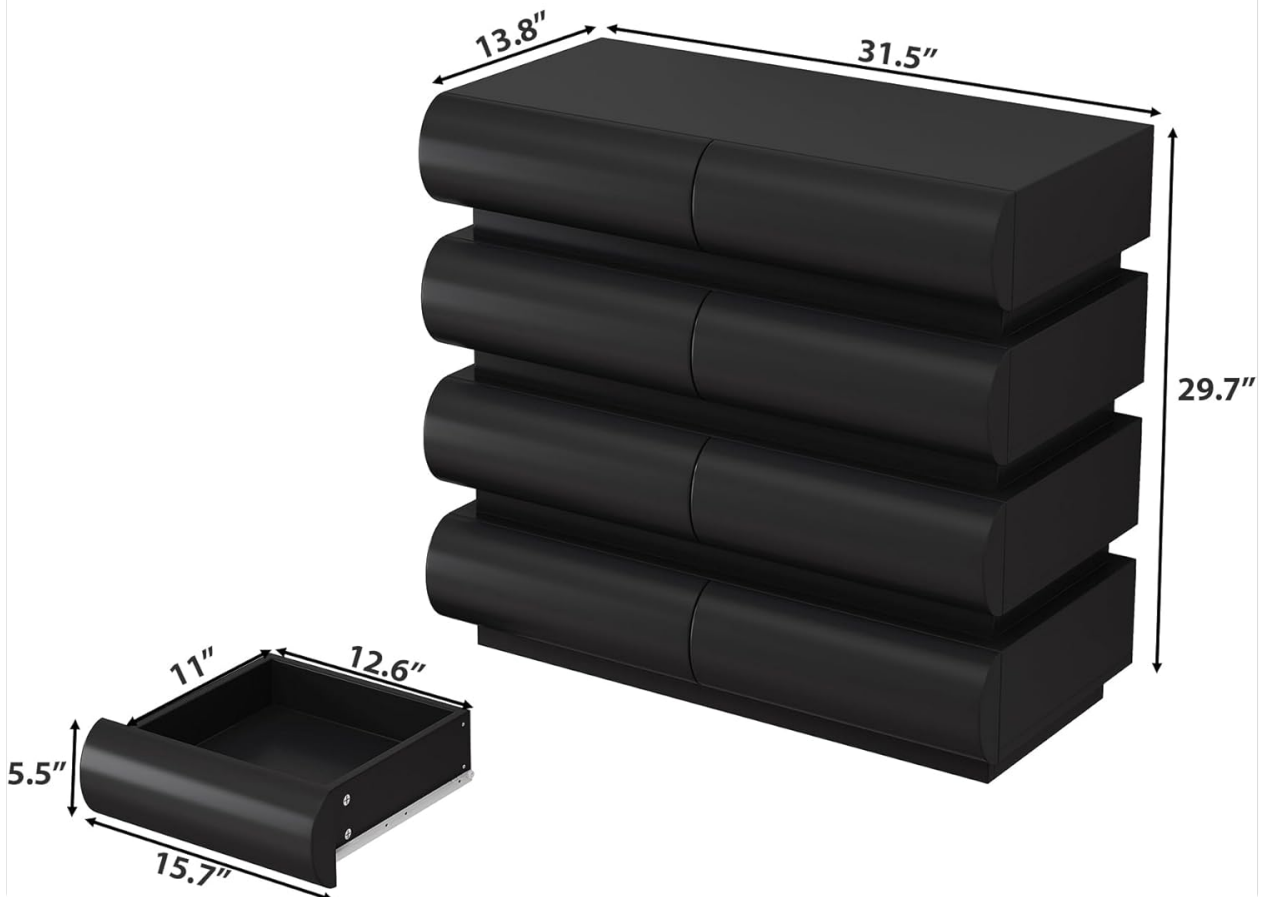


Image: A visual representation of the dresser's dimensions, including length, width, and height, along with individual drawer measurements.

WARRANTY AND SUPPORT

MDQMD is committed to providing high-quality products and customer satisfaction. For any questions, concerns, or assistance with your product, please contact our customer support team.

- **Warranty Information:** Please refer to your purchase documentation for specific warranty terms and conditions.
- **Customer Service:** For support, please reach out to the seller directly through the platform where the purchase was made.
- **Replacement Parts:** If you require replacement parts, please provide your model number (A2024031) and a description of the part needed.