

[Manuals.plus](#) /

> [Giantex](#) /

> Giantex 660-Lbs Metal Hammock Stand - Heavy Duty Porch Swing Stand Instruction Manual

Giantex GT-12099NPK

Giantex 660-Lbs Metal Hammock Stand

Model: GT-12099NPK | **Brand:** Giantex

INTRODUCTION

This manual provides detailed instructions for the assembly, operation, and maintenance of your Giantex 660-Lbs Metal Hammock Stand. Designed for versatility and durability, this A-shaped stand supports various swing types, offering both single-point and 2-point hanging options. Please read all instructions carefully before assembly and use to ensure safe operation and longevity of the product.

Important Safety Information:

- Do not exceed the maximum weight capacity of 660 lbs (299 kg).
- Ensure all connections are securely tightened before each use.
- Place the stand on a flat, stable surface.
- Keep children and pets away from the stand during assembly.
- Regularly inspect the stand for any signs of wear or damage.

PACKAGE CONTENTS

Please verify that all components listed below are present before beginning assembly. If any parts are missing or damaged, please contact customer support.

- A-Shaped Metal Frame Components (various bars and tubes)
- 4 Reinforced Crossbars
- Non-slip Footpads (pre-attached or separate)
- Hardware Kit (screws, washers, nuts, wrench)

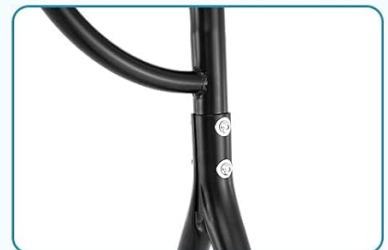
Well-Made Details



Middle Hanging Ring



2 Side Hanging Rings



Tightened Screw Connection



Anti-Slip Footpads

Figure 1: Fully assembled Giantex Metal Hammock Stand. Note: Hammock or swing chair is not included.

SETUP AND ASSEMBLY INSTRUCTIONS

Follow these steps to assemble your hammock stand. It is recommended to have two people for easier assembly.

1. **Unpack Components:** Carefully remove all parts from the packaging and lay them out on a clean, flat surface. Check against the package contents list.
2. **Assemble A-Frame Sides:** Connect the vertical frame pieces and the lower crossbars to form the two A-shaped sides of the stand. Ensure the holes align for the screws.
3. **Attach Reinforced Crossbars:** Secure the 4 reinforced crossbars between the two A-frame sides. These crossbars provide enhanced stability and anti-deformation support. Refer to Figure 2 for visual guidance on crossbar placement.

4. **Secure Connections:** Use the provided hardware (screws, washers, nuts) to tighten all connections. Ensure all screws are fully tightened to prevent wobbling and ensure stability.
5. **Verify Footpads:** Confirm that the non-slip footpads are securely attached to the bottom of each leg. These footpads provide additional stability and protect floor surfaces.
6. **Final Inspection:** Once assembled, gently shake the stand to ensure it is stable and all connections are secure.



Figure 2: A-shaped metal frame highlighting the 4 reinforced crossbars for stability.

Single-Point Hanging



Double Hanging Ways

2-Point Hanging



Figure 3: Detailed view of the middle hanging ring, side hanging rings, tightened screw connection, and anti-slip footpads.

OPERATING INSTRUCTIONS

Your Giantex Hammock Stand offers versatile hanging options for various types of swings.

Hanging Options:

- **Single-Point Hanging:** Use the middle hanging ring for swings that require a single attachment point, such as hanging egg chairs or certain hammock chairs.
- **2-Point Hanging:** Utilize the two side hanging rings for swings that require two attachment points, such as porch swings or traditional hammocks.



Figure 4: Illustration of single-point hanging (top) and 2-point hanging (bottom) configurations.

Compatible Swings:

This stand is compatible with a wide range of swings, including but not limited to:

- Porch Swings
- Hanging Egg Chairs
- Hammock Chairs
- Saucer Swings
- Tree Swing Seats



Figure 5: Examples of different swing types compatible with the Giantex Hammock Stand.

Note: The hammock stand does not include a hammock or swing chair. These must be purchased separately.

MAINTENANCE

Regular maintenance will help prolong the life of your Giantex Hammock Stand.

- **Cleaning:** Wipe down the metal frame with a damp cloth and mild soap as needed. Avoid harsh chemicals that could damage the finish.
- **Inspection:** Periodically check all bolts, screws, and connections to ensure they remain tight. Re-tighten if necessary.
- **Rust Prevention:** While the stand is made of durable metal, prolonged exposure to extreme weather conditions may cause wear. Consider storing indoors or covering during harsh weather to prevent rust.
- **Footpads:** Ensure non-slip footpads are intact and not worn, replacing if necessary to maintain stability.

TROUBLESHOOTING

If you encounter any issues with your hammock stand, refer to the following common solutions:

- **Stand is Wobbling:**
 - Ensure all screws and bolts are fully tightened.
 - Verify the stand is placed on a completely flat and level surface.
 - Check that all non-slip footpads are properly installed and in good condition.
- **Difficulty Assembling:**
 - Review the assembly instructions and diagrams carefully.
 - Ensure you are using the correct hardware for each step.
 - Sometimes, loosening all bolts slightly before final tightening can help align parts.
- **Swing Not Hanging Evenly:**
 - Check the attachment points on your swing and ensure they are symmetrical.
 - Adjust the length of the hanging chains or ropes on your swing as needed.

SPECIFICATIONS

Feature	Detail
Model Number	GT-12099NPK
Brand	Giantex
Material	Metal
Color	Black
Overall Dimensions (L x W x H)	71" x 51" x 70" (180 cm x 130 cm x 178 cm)
Weight Capacity (2-Point Hanging)	660 lbs (299 kg)
Net Weight	33 lbs (15 kg)

Product Dimensions



600 lbs Max Load

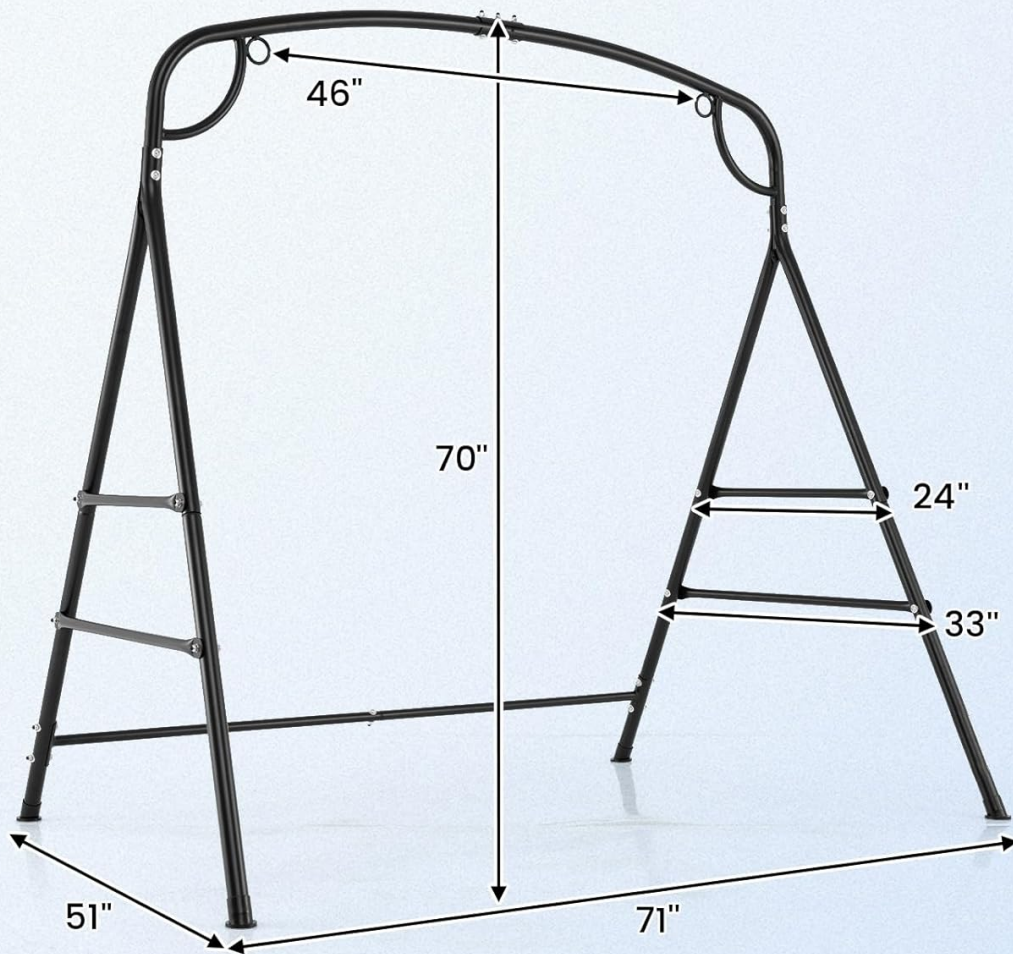


Figure 6: Product dimensions for the Giantex Hammock Stand.

WARRANTY AND SUPPORT

For warranty information, product support, or to inquire about replacement parts, please contact Giantex customer service. Refer to the contact information provided with your purchase or visit the official Giantex website.