

## Manuals+

[Q & A](#) | [Deep Search](#) | [Upload](#)

manuals.plus /

› [LiberLive](#) /

› [LiberLive Natural Gas Tankless Water Heater \(Model HKRV-WH01\) - Instruction Manual](#)

## LiberLive HKRV-WH01

# LiberLive Natural Gas Tankless Water Heater (Model HKRV-WH01)

Outdoor Installation, 5.3 GPM, 130,000 BTU

## 1. IMPORTANT SAFETY INFORMATION

---

Read all instructions thoroughly before installation and operation. Failure to follow these instructions could result in property damage, personal injury, or death. Keep this manual for future reference.

### Safety Features

This water heater is equipped with 8 advanced safety features to ensure safe operation:

- **Flame Failure Protection:** Automatically shuts off gas supply if the flame is not detected.
- **Overheating Protection:** Prevents the unit from exceeding safe operating temperatures.
- **Dry Combustion Protection:** Activates if the unit operates without sufficient water flow.
- **Anti-Freeze Protection:** Automatically heats the system in low temperatures to prevent freezing (requires continuous power supply).
- **Timeout Protection:** Shuts off after a set period of continuous operation.
- **Fan Failure Protection:** Ensures proper ventilation and combustion by monitoring fan operation.
- **Pipe Blockage Protection:** Detects and responds to blockages in the water pipes.
- **High Water Pressure Protection:** Safeguards the system against excessive water pressure.

# 8 Types of Safety Protection



Image: Overview of the 8 safety protection features, including flame failure, overheating, and anti-freeze protection.

## 2. PRODUCT OVERVIEW

The LiberLive Natural Gas Tankless Water Heater is designed for outdoor installation, providing on-demand hot water for residential use. It offers a flow rate of up to 5.3 Gallons Per Minute (GPM) and a heat output of 130,000 BTU, suitable for supplying 3-4 outlets simultaneously.

### Key Features:

- **Outdoor Design:** Thickened, corrosion-resistant body materials, stainless steel vents, and a powerful DC fan provide wind protection (up to force 8), freeze protection, sun protection, and IPX4 waterproofing.
- **Continuous Hot Water:** Delivers hot water instantly without preheating delays.
- **Precise Temperature Control:** Built-in high-tech chip and staged combustion technology maintain water temperature within 1°F of the set point.
- **Remote Control:** Includes a wired remote controller with a reach of up to 49.2 feet for convenient indoor temperature

adjustments.

# Outdoor Tankless Water Heater

Easy to install, no need to take up indoor space



LiberLive

-  Individual Temperature Controller
-  Endless Water Supply
-  Multipoint Water Supply
-  Extreme Weather Patterns
-  No Residual Flue Gas
-  8 Types of Safety Protection

Image: The LiberLive tankless water heater installed on an outdoor wall, emphasizing its outdoor design.

# Reliable and Durable Water Heater

Selected high-quality components with excellent working performance

**High-Speed DC Fan**

**Oxygen-Free Copper Heat Exchanger**

**T-304 Stainless Steel Burner**

**Water Regulating Valve**

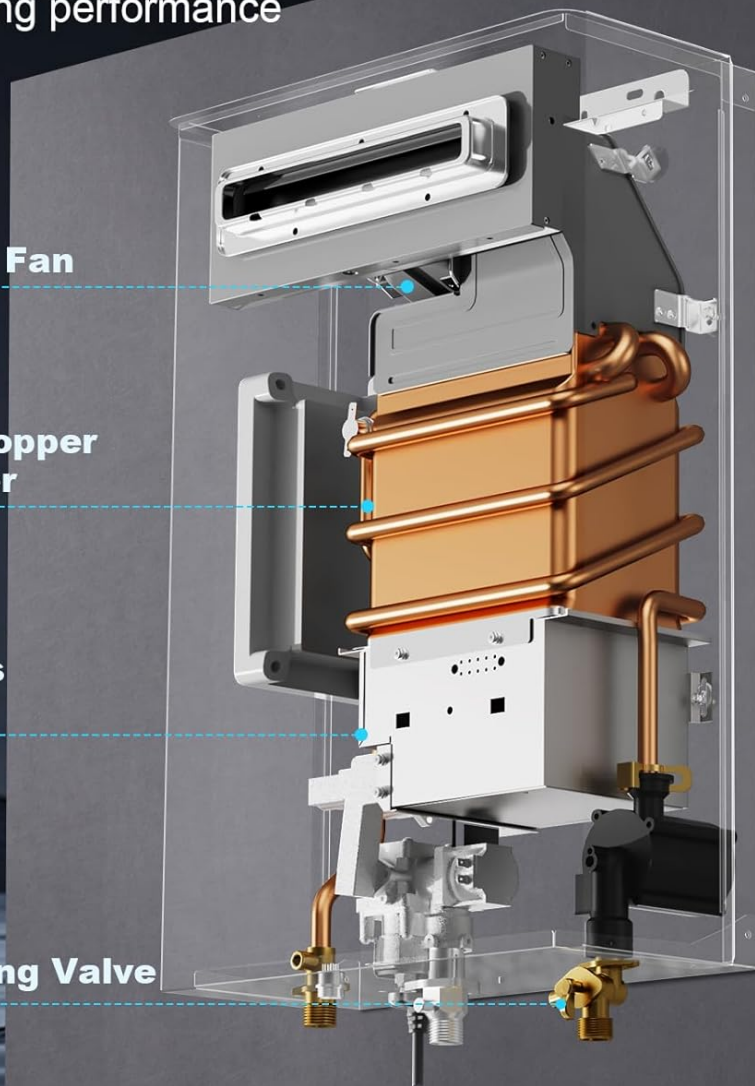


Image: Detailed view of the water heater's internal components, highlighting the high-quality burner, heat exchanger, and fan.

## 3. SETUP AND INSTALLATION

This water heater is designed for outdoor installation only. Ensure the installation location provides adequate clearance and protection as specified in local codes and this manual.

### Installation Requirements:

- **Location:** Must be installed outdoors. Choose a location that is easily accessible for maintenance and protected from direct impact.
- **Gas Source:** Natural Gas. Ensure proper gas line connection by a qualified professional.
- **Electrical Connection:** Requires a 110V/50Hz power supply.
- **Water Connections:** Standard 3/4" NPT fittings for water inlet and outlet.
- **Mounting:** Wall-mounted installation. Ensure the mounting surface is sturdy enough to support the unit's weight.

## Installation Steps (Summary):

1. Mount the unit securely to an exterior wall using appropriate hardware.
2. Connect the natural gas supply line to the 3/4" NPT gas inlet.
3. Connect the cold water inlet to the 3/4" NPT water inlet.
4. Connect the hot water outlet to the 3/4" NPT water outlet.
5. Connect the wired remote controller cable.
6. Plug the unit into a 110V power outlet.
7. Verify all connections for leaks and proper sealing.

# Product Information

Installation Position:

**Outdoor Installation Only**

Gas Source:

**Natural Gas**

Rated Flow Rate:

**5.3 GPM**

Rated Gas Pressure:

**2800Pa/2000Pa**

Water Pressure Range:

**0.025~0.8MPa**

Rated Voltage:

**AC110V/50Hz**

Temp. Rise Range:

**95°F~149°F / 35°C~65°C**

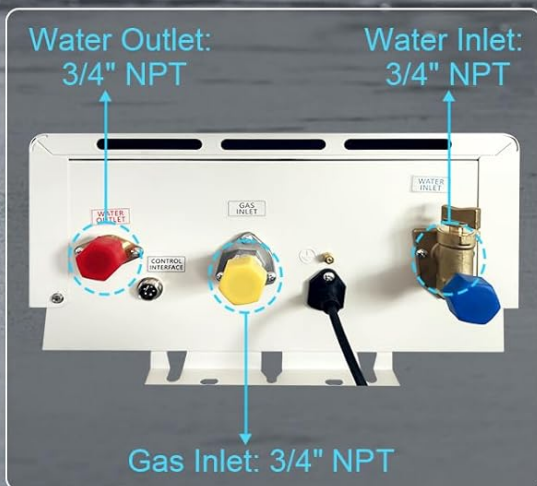


Image: Product dimensions and connection points for water and gas lines.



Image: The water heater unit alongside included installation accessories and a table of key specifications.

## 4. OPERATING INSTRUCTIONS

---

The LiberLive tankless water heater is designed for user-friendly operation, primarily controlled via the remote unit.

### Initial Startup:

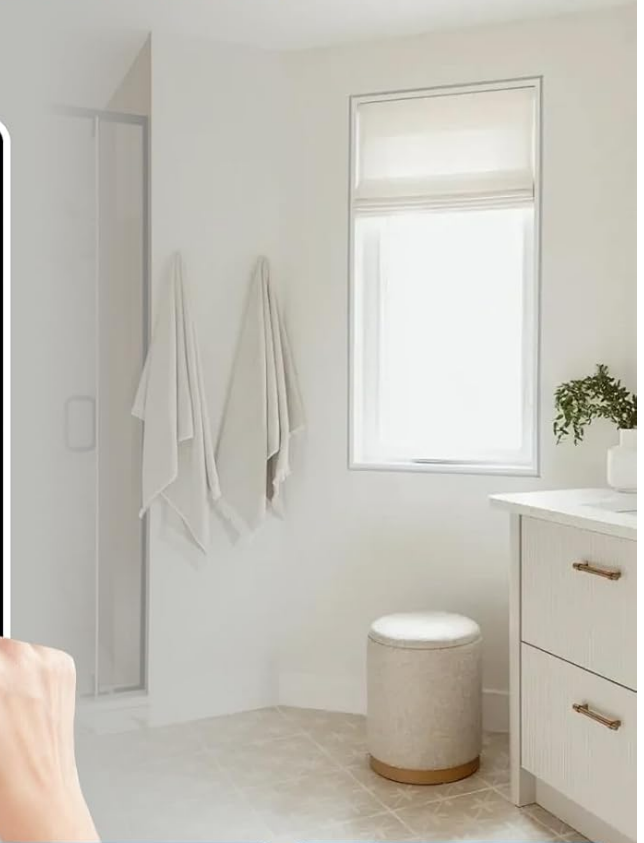
1. Ensure the unit is properly installed and connected to gas, water, and power.
2. Open the gas supply valve.
3. Open a hot water faucet in your home. The unit will detect water flow and initiate heating.
4. Press the power button on the remote controller to turn the unit on.

### Using the Remote Controller:

The wired remote controller allows for precise temperature adjustment from indoors.

- **Power Button:** Turns the unit ON/OFF.
- **Temperature Adjustment:** Use the UP/DOWN arrows to set the desired water temperature. The display shows the current set temperature.
- **Temperature Unit Switching:** Press the C/F button to switch between Celsius and Fahrenheit.
- **Display Indicators:** The remote displays water temperature, fan signal, and flame signal.

# Control the Water Heater from Anywhere Indoors



Bathroom



Kitchen



Living Room



Basement

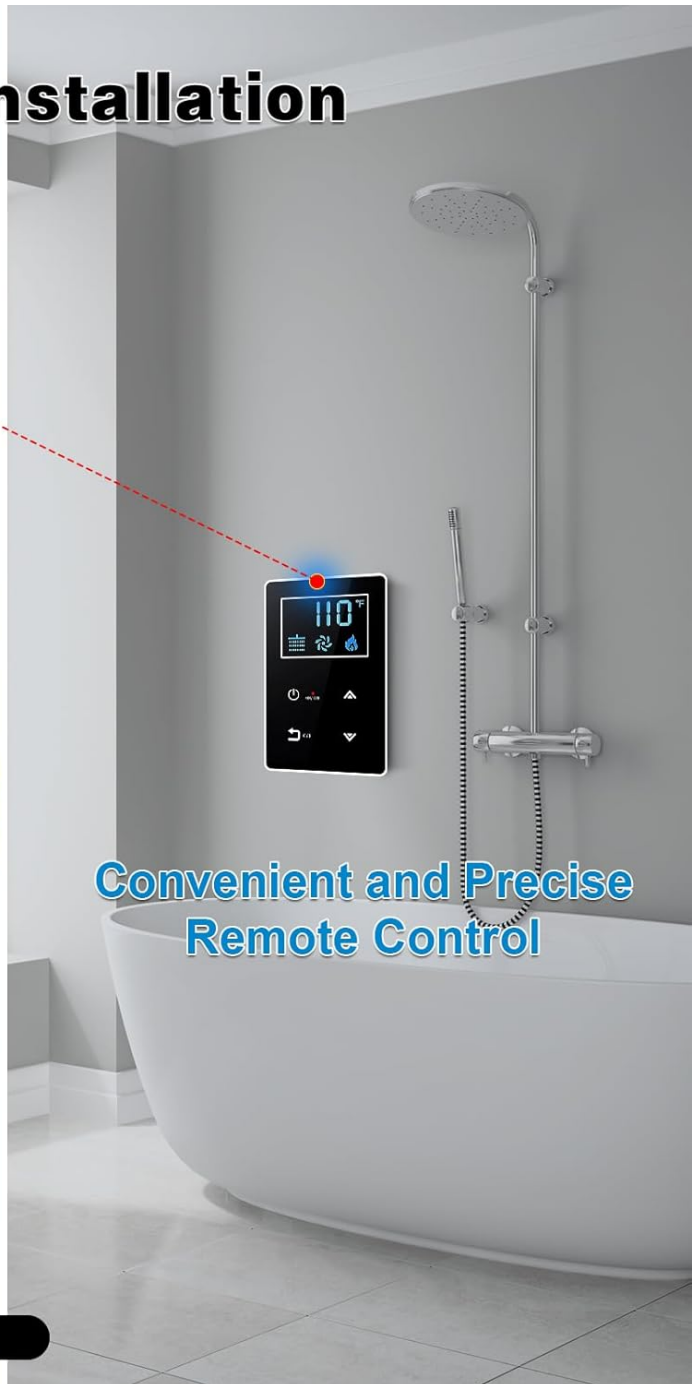
Image: Remote controller in use, demonstrating indoor temperature adjustment.

# Outdoor Installation



Wind, Rain  
and Cold Protection

*\*The wire controller can reach up to 49.2 ft.*



Convenient and Precise  
Remote Control

Image: Outdoor unit and indoor remote control, illustrating the convenience of remote operation.

## Temperature Stability:

The intelligent chip and staged combustion technology ensure consistent water temperatures, adapting to seasonal changes and maintaining the set temperature with minimal fluctuation.

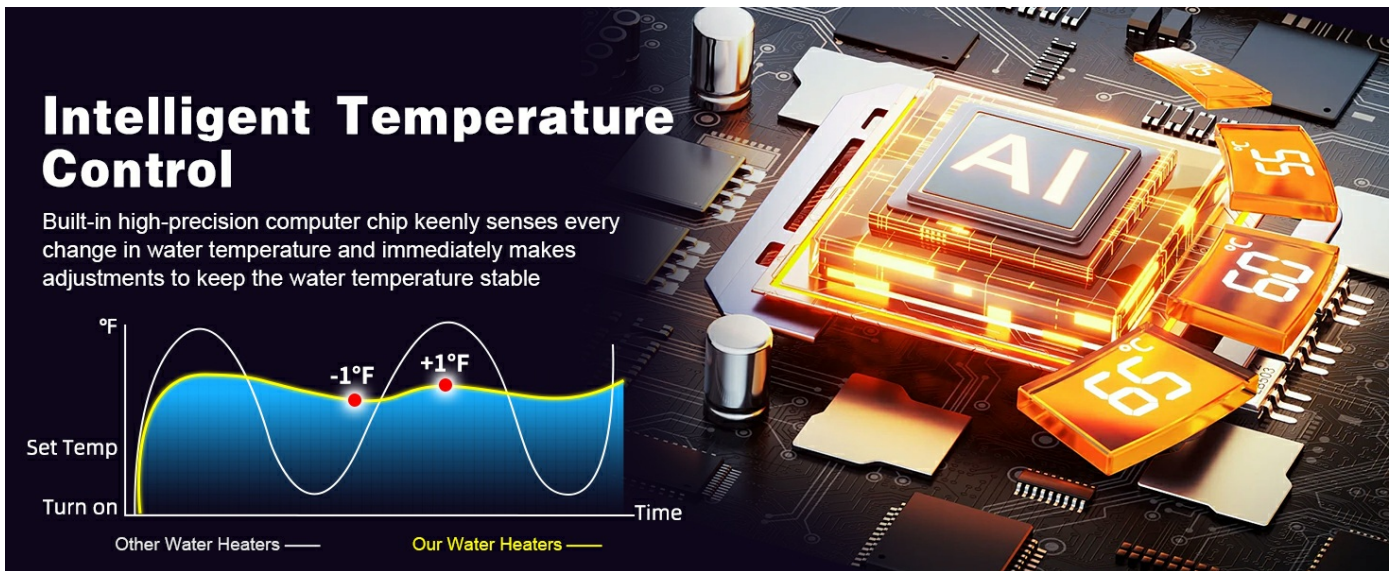


Image: Intelligent chip and water flow sensor for precise temperature control.

## 5. MAINTENANCE

Regular maintenance ensures optimal performance and longevity of your tankless water heater. Always disconnect power and gas supply before performing any maintenance.

### Annual Maintenance:

- **Inspect and Clean Burner:** Check for any debris or blockages in the burner assembly. Clean as necessary.
- **Flush Heat Exchanger:** Periodically flush the heat exchanger to remove mineral buildup, especially in areas with hard water. Consult a qualified technician for this procedure.
- **Check Gas and Water Connections:** Inspect all connections for leaks or corrosion.
- **Examine Venting:** Ensure the stainless steel vents are clear of obstructions.
- **Test Anti-Freeze Function:** In cold climates, ensure the anti-freeze system is functioning correctly by keeping the unit plugged in during freezing temperatures.

### Winterization (if unit is to be shut down):

If the unit will be inactive during freezing temperatures and not continuously powered for anti-freeze protection, it must be properly drained to prevent damage.

- Turn off the gas supply to the unit.
- Turn off the water supply to the unit.
- Open a hot water faucet in the house to relieve pressure.
- Drain all water from the unit and associated piping.

## 6. TROUBLESHOOTING

This section provides solutions to common issues. For problems not listed here, contact customer support.

Problem	Possible Cause	Solution
No hot water / Unit not turning on	No power, gas supply off, insufficient water flow, remote off.	Check power connection, ensure gas valve is open, verify water pressure/flow, turn on remote.

Problem	Possible Cause	Solution
Water not hot enough	Temperature set too low, high incoming water temperature, multiple fixtures running.	Increase set temperature, reduce hot water demand, check for mineral buildup.
Error code on remote	Indicates a specific system fault (e.g., flame failure, overheating).	Refer to the detailed error code list in the full manual. Often requires power cycling the unit or professional service.
Water temperature fluctuates	Inconsistent water flow, mineral buildup, external factors (e.g., cold weather).	Ensure stable water pressure, consider flushing the unit, verify anti-freeze protection is active in cold weather.
Unit leaks water	Loose connections, damaged components, freezing damage.	Tighten connections, inspect for visible damage. If freezing is suspected, contact a professional.

## 7. SPECIFICATIONS

Detailed technical specifications for the LiberLive Natural Gas Tankless Water Heater (Model HKRV-WH01).

Specification	Value
Brand	LiberLive
Model Number	HKRV-WH01
Power Source	Natural Gas
Installation Position	Outdoor Installation Only
Rated Flow Rate	5.3 Gallons Per Minute (GPM)
Heat Output	130,000 British Thermal Units (BTU)
Rated Gas Pressure	2800Pa / 2000Pa
Water Pressure Range	0.025 ~ 0.8 MPa (3.6 - 116 PSI)
Rated Voltage	110V / 50Hz
Wattage	35 watts
Temperature Rise Range	95°F - 149°F (35°C - 65°C)
Product Dimensions (W x D x H)	14.2" x 7.1" x 21.7"
Water Outlet/Inlet Fittings	3/4" NPT
Gas Inlet Fitting	3/4" NPT
Material Type	Brass, Metal
Certifications	CSA Certificated

## 8. WARRANTY AND SUPPORT

LiberLive is committed to providing reliable products and excellent customer service.

## Warranty Information:

The LiberLive water heater comes with a comprehensive **2-year warranty** that covers the entire unit from the date of purchase. This warranty covers defects in materials and workmanship under normal use and service.

## Customer Support:

For any questions, concerns, or technical assistance, please contact our dedicated customer support team. Have your model number (HKRV-WH01) and purchase date ready when contacting support.

Contact information can typically be found on the LiberLive official website or your purchase documentation.