

## ErGear B0DP1YZNFF

# ErGear Dual Monitor Stand Instruction Manual

Model: B0DP1YZNFF

## INTRODUCTION

---

This manual provides detailed instructions for the assembly, operation, and maintenance of your ErGear Dual Monitor Stand. Please read this manual thoroughly before installation and keep it for future reference. Proper installation and use will ensure optimal performance and safety.

## SAFETY INFORMATION

---

- Ensure all components are present and undamaged before assembly. Do not use if any parts are missing or faulty.
- Verify that your desk surface can support the combined weight of the stand and two monitors.
- Adhere strictly to the specified monitor size and weight limits to prevent instability or damage.
- Tighten all screws firmly, but do not overtighten to avoid stripping threads.
- Keep children and pets away during installation.
- Always seek professional assistance if you are unsure about any part of the installation process.

## PACKAGE CONTENTS

---

Please check that all parts are included in your package:

- Main Pole
- Monitor Arms (2)
- C-Clamp Base
- Grommet Mount Base
- VESA Plates (2)
- Hardware Kit (screws, washers, Allen wrenches)
- Cable Management Clips

## SPECIFICATIONS

<b>Mounting Type</b>	Tabletop Mount (C-Clamp or Grommet)
<b>Movement Type</b>	Swivel, Tilt, Rotation
<b>Material</b>	Alloy Steel
<b>Color</b>	Black
<b>Compatible Devices</b>	Monitors
<b>Minimum Screen Size</b>	17 Inches
<b>Maximum Screen Size</b>	32 Inches
<b>Weight Capacity per Arm</b>	4.4 to 22 lbs (2-10 kg)
<b>VESA Compatibility</b>	75x75mm, 100x100mm
<b>C-Clamp Desk Thickness</b>	0.39"-3.15" (10-80mm)
<b>Grommet Mount Desk Thickness</b>	0.4"-2.17" (10-55mm)

The stand features a 16.54" tall pole and a maximum arm length of 37.8" (from center pole to monitor center).

# Free Up Desk Space



Figure 1: Product Dimensions. This image illustrates the key measurements of the dual monitor stand, including the overall width, individual arm reach, and the height of the central pole. It also shows the compatible desk thickness for both C-Clamp and Grommet mounting options.

## COMPATIBILITY

Before installation, ensure your monitors meet the following criteria:

- **Screen Size:** Each monitor must be between 17 and 32 inches.
- **Weight:** Each monitor must weigh between 4.4 lbs (2 kg) and 22 lbs (10 kg).
- **VESA Pattern:** The back of each monitor must have VESA mounting holes with a pattern of either 75x75mm or 100x100mm.

## 30% Wider Pole

Larger contact area prevents sagging, ensuring stability

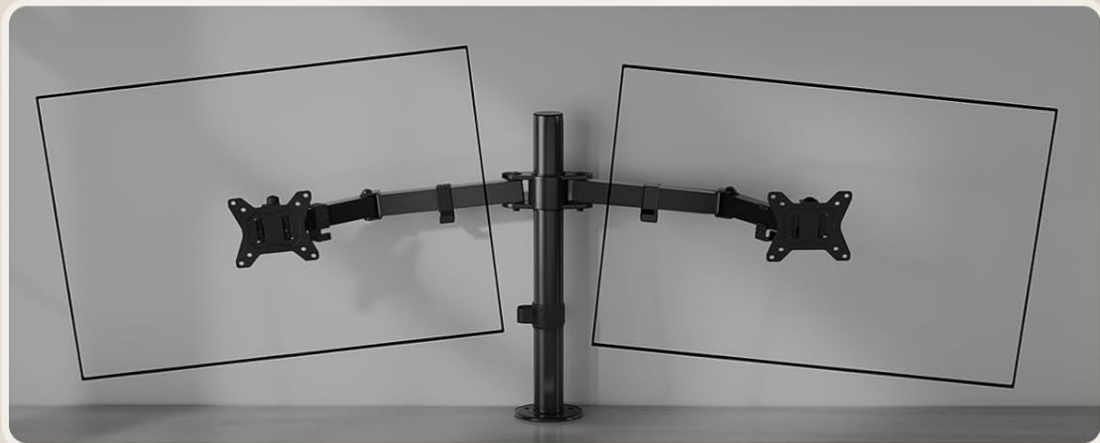


Figure 2: Wide Compatibility. This image visually confirms the VESA standards, desk thickness requirements for C-Clamp and Grommet mounts, and the maximum monitor size and weight supported by the stand.



Figure 3: Designed for Large Monitors. This graphic emphasizes the stand's capacity for monitors ranging from 17 to 32 inches, with a maximum load of 22 lbs per arm. It also advises users to verify their monitor's specifications.



Figure 4: Monitor VESA Compatibility. This image clarifies how to identify VESA mounting holes on a monitor and provides guidance for monitors that may require removal of their original stand or the use of a VESA adapter.

### SETUP

The ErGear Dual Monitor Stand offers two mounting options: C-Clamp and Grommet Mount.

### Choosing Your Mounting Method

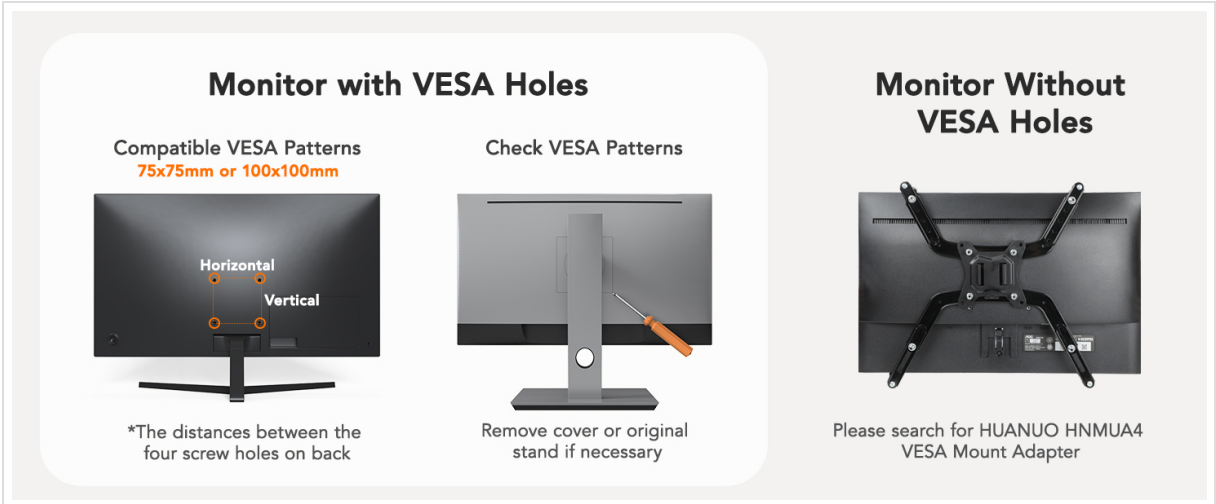


Figure 5: Two Ways to Mount. This image demonstrates the C-Clamp and Grommet mounting options, along with their respective compatible desk thickness ranges.

### C-Clamp Installation

1. Attach the C-Clamp base to the bottom of the main pole using the provided screws.
2. Position the C-Clamp on the edge of your desk. Ensure the desk thickness is between 0.39" and 3.15".
3. Tighten the clamp securely until the stand is stable.

### Grommet Mount Installation

1. If your desk has a grommet hole, remove its cover. Ensure the desk thickness is between 0.4" and 2.17".

2. Assemble the grommet mount components as per the instructions in the hardware kit.
3. Insert the grommet bolt through the desk hole and secure it from underneath with the provided plate and nut.

## Attaching Monitors

1. Attach the VESA plates to the back of your monitors using the appropriate screws from the hardware kit.
2. Slide the assembled monitor arms onto the main pole at your desired height and secure them.
3. Carefully lift each monitor and slide its VESA plate onto the corresponding monitor arm bracket. Ensure it clicks into place or is secured with the locking mechanism.
4. Adjust the tension screws on the VESA plate to prevent the monitor from tilting freely.

## Cable Management

Utilize the integrated cable management clips on the arms and main pole to route your monitor cables neatly. This helps maintain an organized workspace.



Figure 6: Tidy Cables, Clean Desk. This image demonstrates the effective use of cable management clips to keep monitor cables organized and out of sight, contributing to a clutter-free workspace.

## OPERATING ADJUSTMENTS

The ErGear Dual Monitor Stand offers flexible adjustments for optimal viewing comfort.

# Position Your Screen Your Way

Multiple joints for a wide range of motion



Figure 7: Fully Adjustable. This image highlights the extensive range of motion for tilt, swivel, and rotation, allowing users to customize their monitor positions for ergonomic viewing.

# Product Dimensions

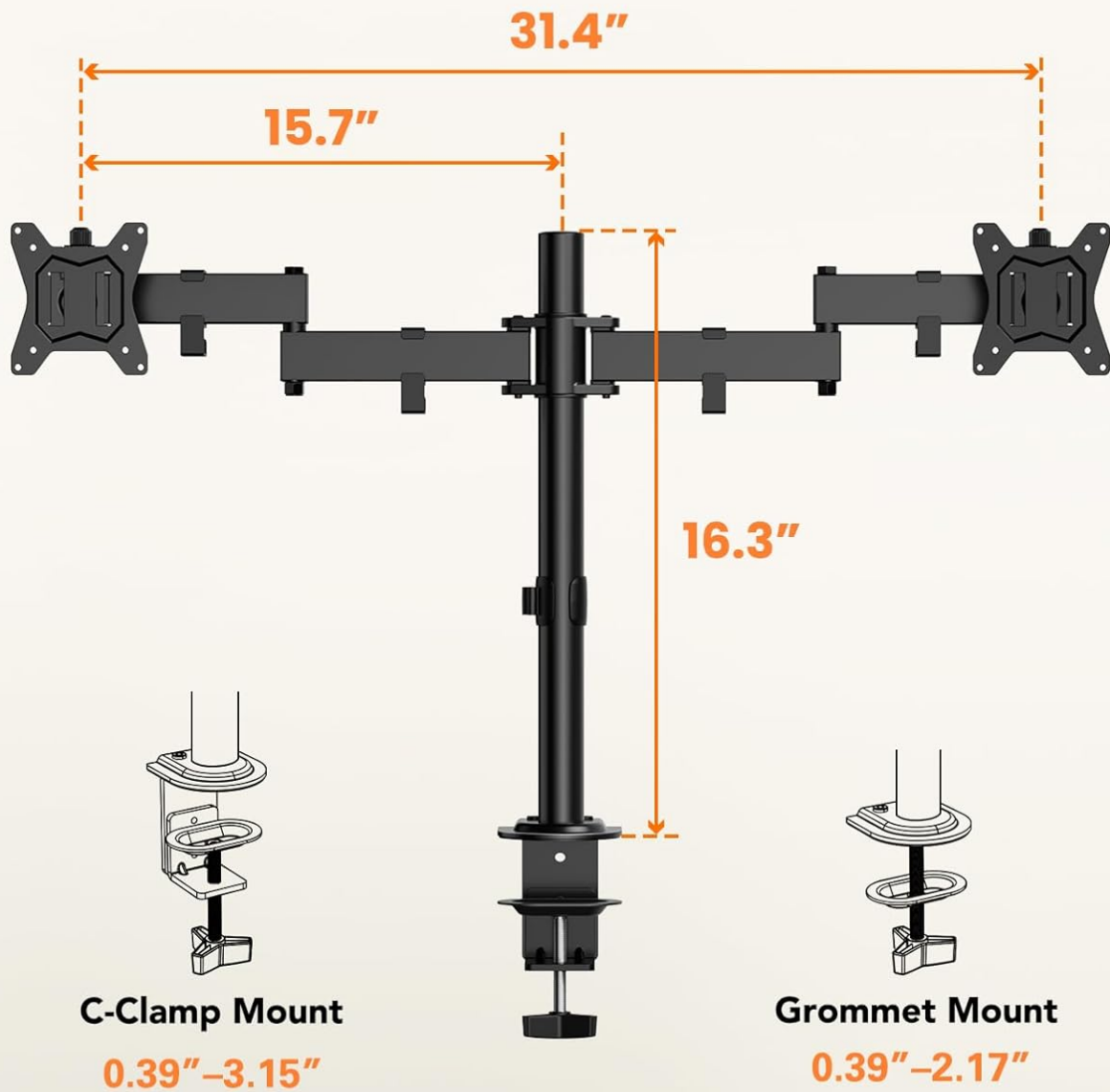


Figure 8: Position Your Screen Your Way. This image illustrates the various articulation points on the monitor arms, each offering +/-90 degrees of swivel, enabling a broad spectrum of monitor positioning.

## Height Adjustment

The monitor arms can be moved up or down along the central pole. Loosen the securing knob on the pole, adjust the arms to the desired height, and then retighten the knob firmly.

# Fully Adjustable

Tilt, swivel, and rotate to fit your desk

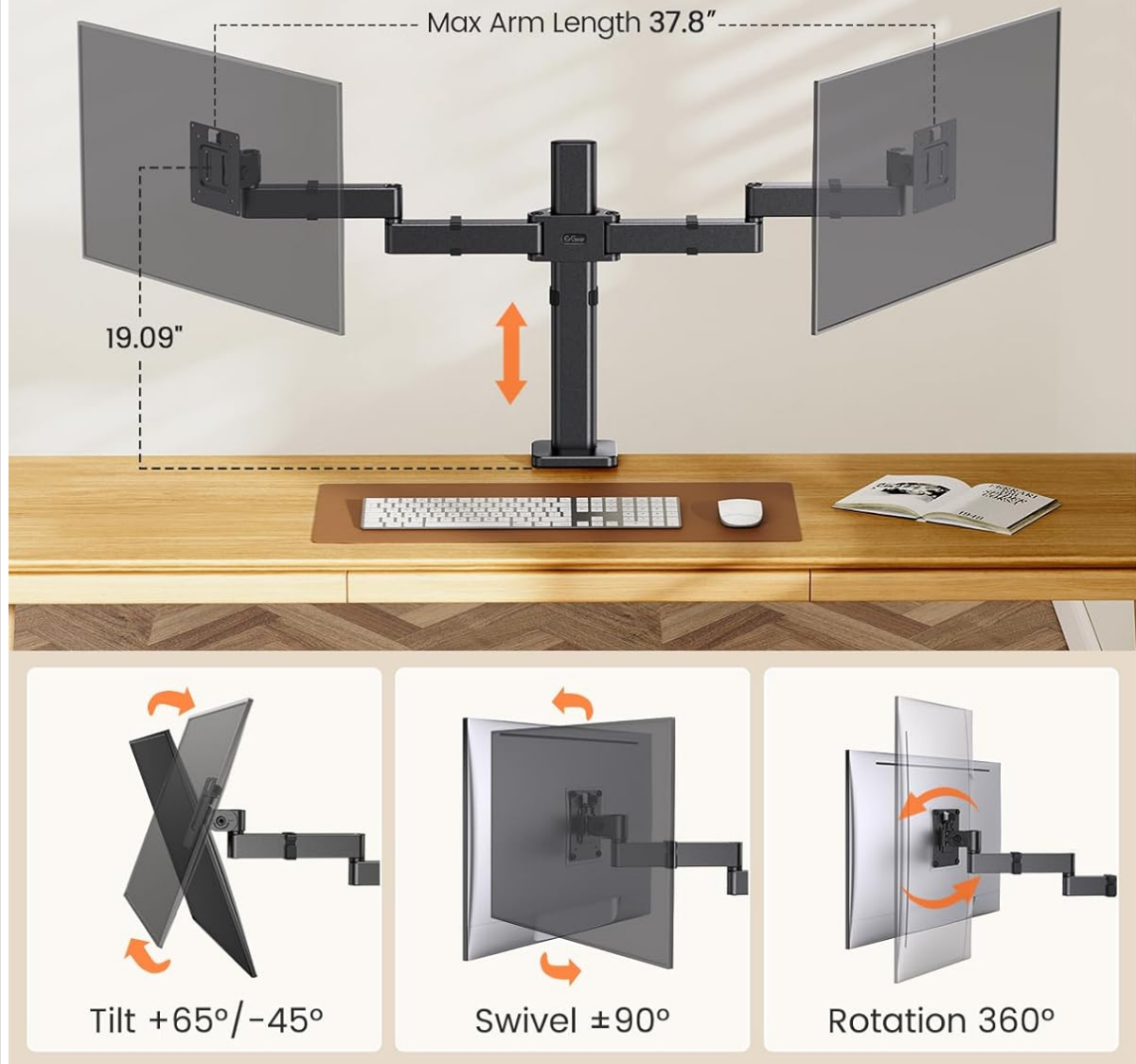


Figure 9: Ergonomic Viewing. This image demonstrates how the 16.54-inch tall pole allows for significant height adjustment, promoting eye-level comfort and reducing strain during work.

## Tilt Adjustment

Monitors can be tilted -45° to +65°. Loosen the tilt screw on the VESA plate, adjust the monitor to your preferred angle, and then tighten the screw.

## Swivel Adjustment

Each monitor arm can swivel  $\pm 90^\circ$  at multiple joints, allowing you to angle your monitors independently.

## Rotation Adjustment

Monitors can be rotated 360° from landscape to portrait orientation. Simply rotate the monitor to the desired orientation.

## Designed for Large Monitors

Fits Monitors: **17"-32"**

Max Load: **22lbs/Arm**

Note: Check your monitor size & weight online using the model number on back of monitor.

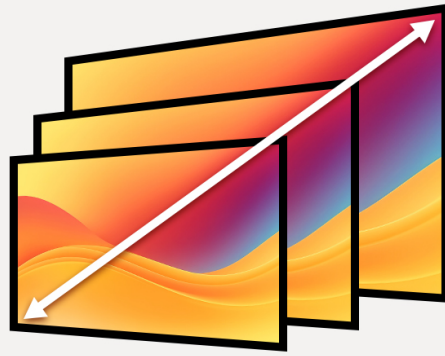


Figure 10: Monitor Orientation Examples. This graphic illustrates various display configurations, including dual landscape, dual portrait, and mixed orientations, showcasing the 360° rotation capability.

## Fine-Tuning Screen Alignment

The stand allows for micro height adjustments (0.19" / 5mm steps) to ensure perfect alignment between two monitors, even if they are of different models or sizes.



Figure 11: Flawless Screen Alignment. This image demonstrates the micro-adjustment feature, allowing for precise vertical alignment of monitors in small increments (0.19 inches or 5mm), which is crucial for a seamless dual-screen setup.

## MAINTENANCE

- Regularly check all screws and connections to ensure they remain tight and secure.
- Clean the stand with a soft, damp cloth. Avoid abrasive cleaners or solvents.
- Periodically inspect the monitor arms for any signs of wear or damage.

## TROUBLESHOOTING

Issue	Possible Cause	Solution
Monitor sags or does not hold position	Monitor weight exceeds capacity; tilt screw is loose.	Verify monitor weight is within 4.4-22 lbs. Tighten the tilt screw on the VESA plate.
Stand is unstable	C-Clamp or Grommet mount is not tightened sufficiently.	Ensure the C-Clamp or Grommet mount is securely fastened to the desk. Check desk thickness compatibility.
Monitors are not level	Arms are not at the same height; micro-adjustment needed.	Adjust the height of each arm on the main pole. Use the micro height adjustment feature for fine-tuning.

## WARRANTY AND SUPPORT

The ErGear Dual Monitor Stand comes with a **2-year warranty** from the date of purchase. This warranty covers manufacturing defects and material flaws under normal use. For warranty claims, technical support, or any

questions regarding your product, please contact ErGear customer service through the retailer where you purchased the product or visit the official ErGear website for contact information.