



Manuals.plus /

- › OIRFND /
- › OIRFND Cordless Vacuum Cleaner User Manual

OIRFND A27V

OIRFND Cordless Vacuum Cleaner User Manual

Model: A27V

1. INTRODUCTION

Thank you for choosing the OIRFND Cordless Vacuum Cleaner. This 10-in-1 stick vacuum is designed to provide powerful and versatile cleaning for your home, from hardwood floors to carpets. With its advanced features and lightweight design, it offers an efficient and convenient cleaning experience. Please read this manual thoroughly before operation to ensure proper use, maintenance, and safety.

2. SAFETY INFORMATION

Always follow basic safety precautions when using electrical appliances to reduce the risk of fire, electric shock, or injury. This appliance is for household use only.

- Do not operate the vacuum with a damaged cord or plug.
- Do not use on wet surfaces or to pick up liquids.
- Keep hair, loose clothing, fingers, and all parts of body away from openings and moving parts.
- Do not pick up anything that is burning or smoking, such as cigarettes, matches, or hot ashes.
- Ensure the filter is properly installed before use.
- Store the vacuum in a dry indoor area.

3. PACKAGE CONTENTS

Verify that all items are present in your package:

- Cordless Vacuum Cleaner Main Body

- Extra-Long Hose
- Anti-Tangle Floor Brush
- Removable Dust Cup
- Flexible Hose
- Attachments for Sofa, Curtains, Car Interiors
- Rechargeable Battery Pack
- Charging Adapter
- Wall Mount Bracket
- User Manual



Figure 3.1: Overview of the OIRFND Cordless Vacuum Cleaner and its included accessories.

4. SETUP

4.1 Battery Installation and Charging

The vacuum is powered by a detachable 2200mAh high-capacity battery. Ensure the battery is fully charged before first use.

1. To attach the battery: Align the battery pack with the slot on the main vacuum body and slide it in until it clicks securely into place.
2. To detach the battery: Press the release button located on the battery pack and slide it out.
3. To charge: Connect the charging adapter to the charging port on the battery pack. The LED display will indicate charging status. A full charge provides up to 40 minutes of runtime in standard mode.

Detachable Battery Pack

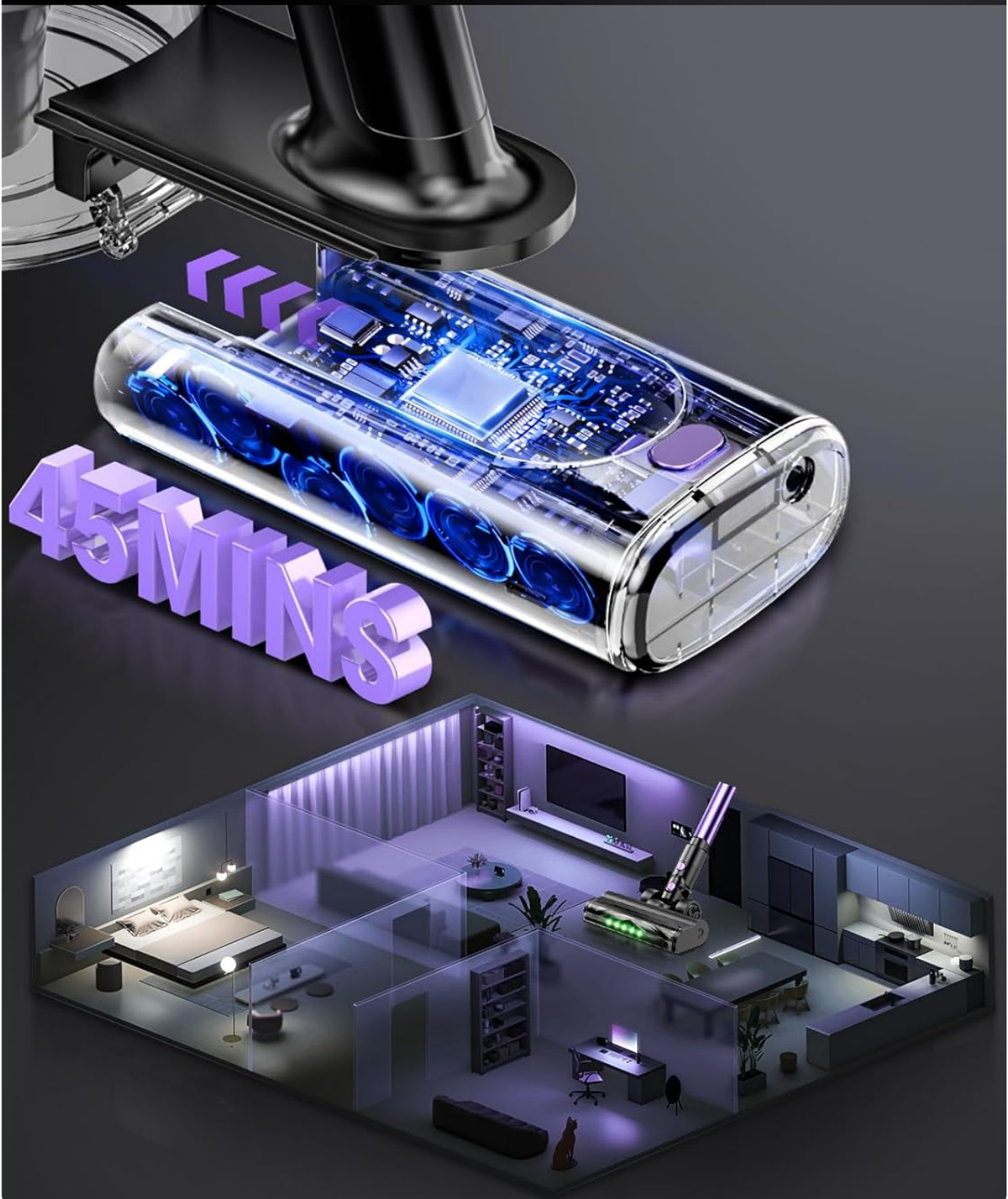


Figure 4.1: The detachable battery pack allows for convenient charging and extended use.

4.2 Assembling the Vacuum

The OIRFND vacuum offers multiple configurations for various cleaning needs.

1. For Stick Vacuum Mode:

- a. Attach the extension tube to the main vacuum body by aligning and clicking it into place.

b. Attach the Anti-Tangle Floor Brush to the other end of the extension tube. Ensure it clicks securely.

2. For Handheld Vacuum Mode:

a. Directly attach desired accessories (e.g., 2-in-1 brush, sofa attachment) to the main vacuum body.

3. Using the Extra-Long Hose:

a. Attach one end of the flexible hose to the main vacuum body.

b. Attach a suitable accessory (e.g., crevice tool) to the other end of the hose for reaching tight spaces like dryer vents or car interiors.

Versatility & Lightweight Design



Figure 4.2: The vacuum's versatile design allows for easy conversion between stick and handheld modes.



Figure 4.3: The vacuum can be configured in various ways to suit different cleaning tasks.

4.3 Wall Mount Installation

The included wall mount provides convenient storage and charging.

1. Choose a suitable location near a power outlet.
2. Securely fasten the wall mount bracket to the wall using appropriate screws and anchors (not included).
3. Hang the vacuum cleaner on the mount. The battery can be charged while mounted.

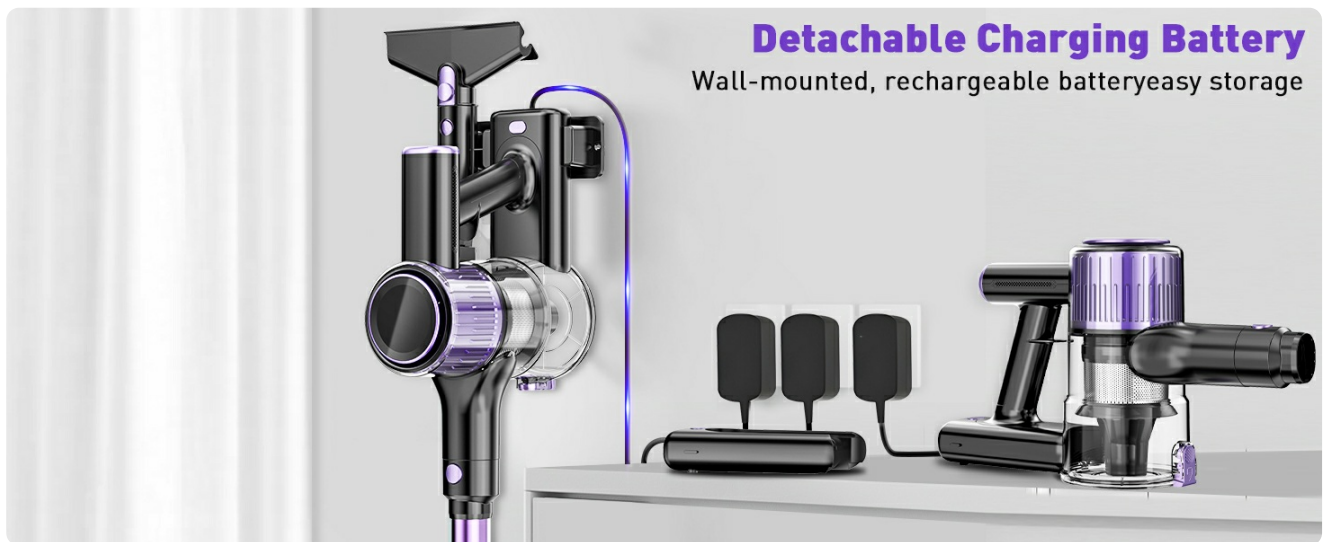


Figure 4.4: The wall mount allows for easy storage and charging of the vacuum.

5. OPERATING INSTRUCTIONS

5.1 Powering On/Off and Suction Adjustment

The vacuum features an intuitive LED display for easy control.

1. **Power On/Off:** Press the power button on the main body to turn the vacuum on or off.
2. **Adjusting Suction:** Use the '+' and '-' buttons on the LED display to cycle through three suction levels:
 - o **ECO Mode (18KPa):** Ideal for light cleaning, normal dust, and small particles.
 - o **MID Mode (25KPa):** Suitable for daily cleaning and removing larger particles like pet litter.

- **MAX Mode (33KPa):** Provides powerful suction for deep cleaning, tackling stubborn debris and entangled hair.

3. **LED Display:** The display shows battery life, current suction level (MIN/MID/MAX), and blockage alerts.

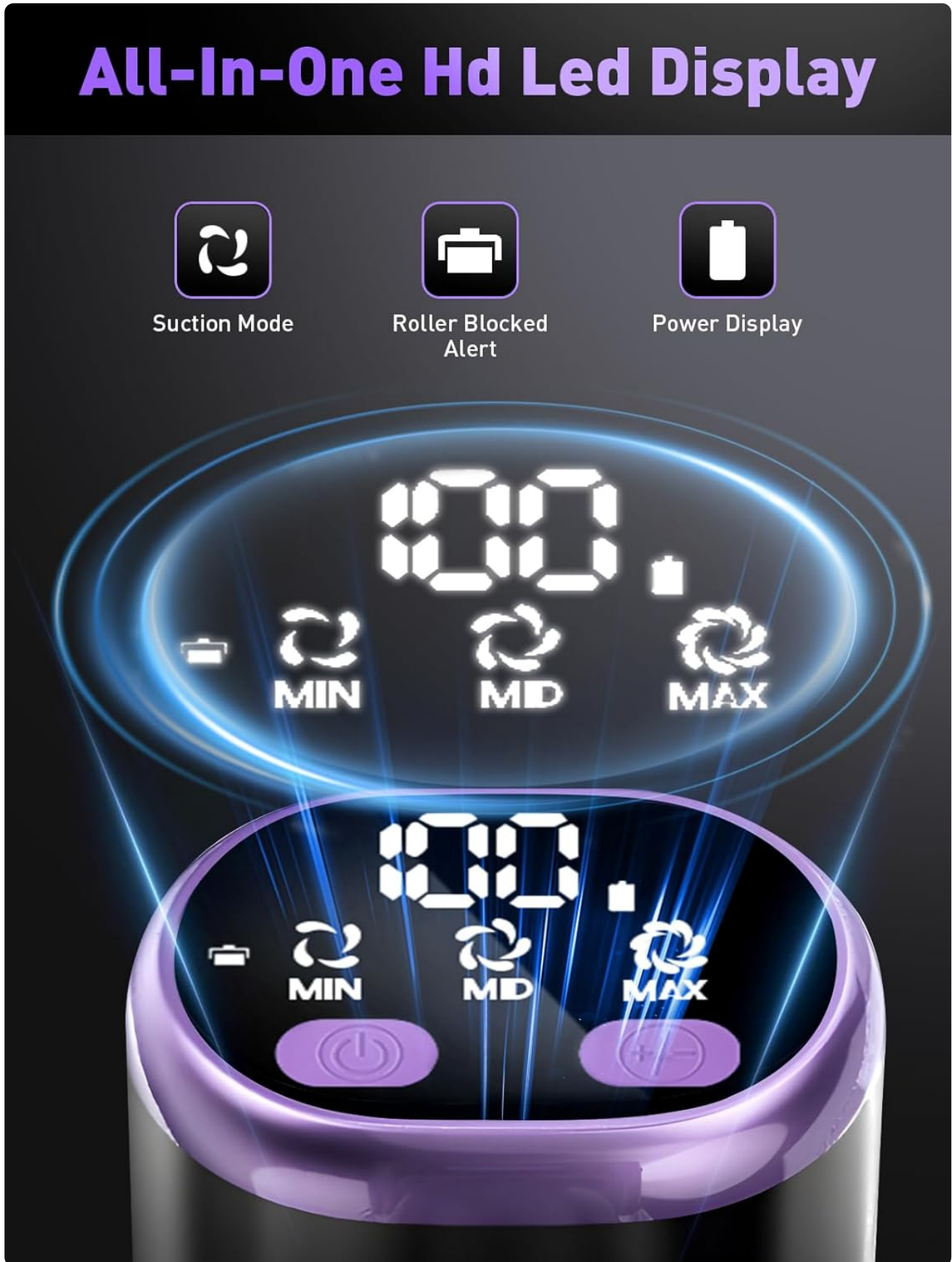


Figure 5.1: The smart LED display provides real-time information on battery and suction settings.

3 Suction Modes

Clean Stubborn Stains



Figure 5.2: Choose from three suction modes for optimal cleaning performance on various surfaces.

5.2 Using the Green LED Headlights

The Anti-Tangle Floor Brush is equipped with bright green LED lights that illuminate hidden dust and debris on both carpets and hard floors, making it easier to achieve a thorough clean.



Powerful Suction 2025 Upgraded Version

Figure 5.3: Green LED lights enhance visibility, revealing hidden dirt for a more effective clean.

5.3 Utilizing Specialized Attachments

1. **Anti-Tangle Floor Brush:** The V-shaped design effectively combats pet hair and embedded debris, reducing tangles and maintenance. Its 270° rotating head provides excellent maneuverability.
2. **Extra-Long Flexible Hose:** This 28.75-inch hose is designed for reaching challenging areas such as dryer vents, behind appliances, and deep into car interiors, preventing clogs and potential hazards.

3. **Other Attachments:** Use the specialized attachments for cleaning sofas, curtains, car seats, and other delicate or hard-to-reach surfaces.

Remove Deep Lint Buildup



Figure 5.4: The extra-long hose is ideal for reaching difficult areas like dryer vents.

Remove Lint Anywhere



Figure 5.5: The flexible hose and attachments allow for versatile cleaning in various tight spaces.

6. MAINTENANCE

Regular maintenance ensures optimal performance and extends the lifespan of your OIRFND Cordless Vacuum Cleaner.

6.1 Emptying the Dust Cup

Empty the dust cup regularly, especially when the MAX line is reached, to maintain strong suction.

1. Hold the main vacuum body over a trash bin.
2. Press the dust cup release button (usually located near the bottom of the dust cup) to open the bottom flap and release debris.
3. Close the dust cup flap securely after emptying.

Upgraded High-efficiency Filtration Captures 99.99% of Fine Particles As Small As 0.1um



Figure 6.1: The multi-layer filtration system captures fine particles, protecting the motor and ensuring clean air.

6.2 Cleaning the Filter

The 6-layer filtration system removes 99.99% of dust particles. Clean the filter regularly (every 2-3 weeks or as needed) to prevent clogs and maintain suction power.

1. Twist and pull out the filter assembly from the dust cup.
2. Tap the filter gently to remove loose dust. For a deeper clean, rinse the filter under running water.
3. Allow the filter to air dry completely for at least 24 hours before reinserting it into the dust cup. Do not use the vacuum with a wet filter.

6.3 Cleaning the Anti-Tangle Floor Brush

Periodically check the anti-tangle brush for any hair or debris buildup and remove it to ensure effective cleaning.

1. Turn off the vacuum and detach the floor brush.
2. Locate the release mechanism for the brush roll (refer to diagrams in the physical manual if available).
3. Remove the brush roll and carefully cut away any tangled hair or fibers using scissors.
4. Reinsert the brush roll and secure it in place.

7. TROUBLESHOOTING

Problem	Possible Cause	Solution
Vacuum does not turn on.	Battery is not charged or not properly installed.	Ensure battery is fully charged and securely clicked into place.
Low suction power.	Dust cup is full, filter is clogged, or brush roll is tangled.	Empty dust cup, clean filter, and remove any tangles from the brush roll. Check for blockages in the hose or attachments.
Battery runtime is short.	Using MAX suction mode frequently, or battery is aging.	Use ECO or MID mode for lighter tasks. Ensure battery is fully charged. Consider replacing battery if significantly degraded.
LED display shows blockage alert.	Obstruction in the vacuum path.	Check the dust cup, filter, extension tube, floor brush, and all attachments for blockages and remove them.

8. SPECIFICATIONS

Feature	Detail
Brand	OIRFND
Model Number	A27V
Suction Power	33Kpa (Max)
Motor Power	350W
Suction Levels	3 (18Kpa/25Kpa/33Kpa)
Battery Capacity	2200mAh
Runtime	Up to 40 minutes (Standard Mode)
Filtration System	6-layer with advanced cyclone technology
Floor Brush Features	V-shaped Anti-Tangle, 270° Rotating Head, Green LED Lights
Included Components	Main Body, Extra-Long Hose, Anti-Tangle Floor Brush, Removable Dust Cup, Flexible Hose, Attachments for Sofa, Curtains, Car Interiors
Product Dimensions	10 x 7 x 17 inches
Item Weight	7.52 pounds

9. WARRANTY AND SUPPORT

OIRFND is committed to your satisfaction. This product comes with a comprehensive 2-year return and exchange guarantee. We also offer a lifetime of customer support.

For any questions, issues, or support needs, please contact our customer service team. Refer to the contact information provided on the product packaging or our official website.