



Manuals.plus /

› KAMISAFE /

› KAMISAFE C20 Magnetic Selfie Stick Tripod User Manual

## KAMISAFE C20

# KAMISAFE C20 Magnetic Selfie Stick Tripod

## USER MANUAL

### Introduction

Thank you for choosing the KAMISAFE C20 Magnetic Selfie Stick Tripod. This versatile device combines the functionality of a selfie stick and a tripod, designed for ease of use and portability. It features magnetic phone attachment for MagSafe compatible devices and a traditional clamp for other smartphones, along with a detachable Bluetooth remote for convenient photo and video capture. This manual will guide you through the setup, operation, and maintenance of your new device.

### What's in the Box

- 1 x C20 51" Magnetic Selfie Stick Tripod
- 1 x Detachable Magnetic Phone Clip
- 1 x Detachable Wireless Remote
- 1 x Metal Ring
- 1 x User Manual

### Product Features

- **Magnetic Attachment:** Designed for iPhone 12/13/14/15/16 series and MagSafe cases. Includes a metal ring for other phones.
- **Detachable Phone Clip:** Adjustable from 2.35in to 3.54in (60-90mm) for various smartphones.
- **Cold Shoe Mounts:** Two standard side cold shoe mounts for attaching accessories like microphones or LED fill lights.
- **1/4" Standard Screw:** Compatible with mini cameras, micro SLR cameras, sports cameras, and video lights.
- **Extendable Design:** 7-section adjustable telescopic pole, ranging from 9.5 to 51.0 inches (24cm to 130cm).

- **360° Rotation:** Flexible 270° neck rotation and 360° rotating phone clip for horizontal and vertical shooting.
- **Wireless Remote:** Detachable Bluetooth remote for capturing photos and videos from up to 10m/33ft away.
- **Portable Design:** Folds to 8.90 inches (227mm) and weighs 0.6lbs (281g) for easy transport.

## Setup

### 1. Unfolding the Tripod

Gently pull the bottom of the handle downwards to extend the tripod legs. Ensure the legs are fully spread for maximum stability.



Image: The tripod legs are designed with triangular reinforcement and non-slip silicone pads for stability.

### 2. Attaching Your Phone

The C20 offers two methods for attaching your smartphone:

- **Magnetic Attachment (for MagSafe compatible devices):** Simply align your MagSafe-compatible iPhone (iPhone 12/13/14/15/16 series) or phone with a MagSafe case to the magnetic phone clip. The magnets will securely hold your device in place.

- **Clamp Attachment (for all smartphones):** For phones without MagSafe or non-MagSafe cases, pull the sides of the phone clip outwards to expand the clamp. Insert your phone and release the clamp to secure it. A metal ring is included for enhanced magnetic attraction on non-MagSafe phones if desired.



Image: The phone clip features both magnetic and traditional clamp mechanisms for universal compatibility.

### 3. Pairing the Wireless Remote

1. Remove the wireless remote from its slot in the tripod handle.
2. Turn on the remote by pressing and holding the button until the indicator light flashes.
3. On your smartphone, go to Bluetooth settings and search for available devices.
4. Select "AB Shutter3" or a similar name to pair. The indicator light will stop flashing once connected.
5. The remote is now ready to use for capturing photos and videos.



Image: The selfie stick extended with a phone and the detachable wireless remote control.

## Operating Instructions

### 1. Extending the Selfie Stick/Tripod

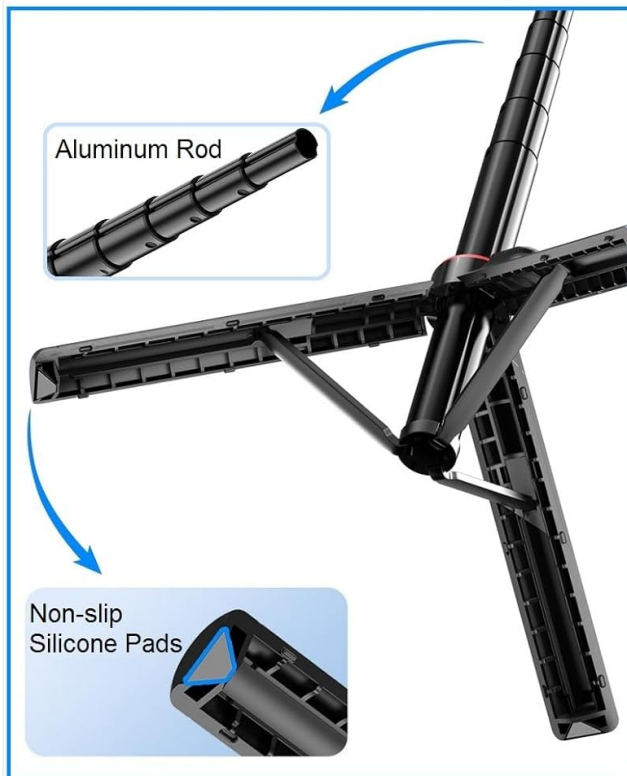
Hold the base firmly and pull the telescopic pole upwards to extend it to your desired height. The pole has 7 sections and can extend up to 51 inches (1.3 meters).

### 2. Adjusting Angles

The phone holder features a 270° neck rotation and a 360° rotating phone clip. Loosen the adjustment knob to tilt the phone holder up or down, and rotate the phone clip to switch between horizontal and vertical orientations. Tighten the knob to secure the angle.

## Stable Tripod

Umbrella Reinforced Design



## Universal Adjustment

Support horizontal & vertical shots



Image: The phone holder allows for universal adjustment, supporting 360° rotation for various shooting angles.

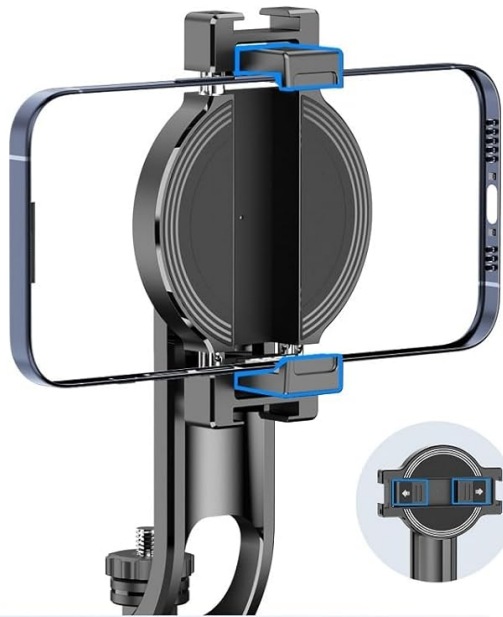
### 3. Using Cold Shoe Mounts and 1/4" Screw

The phone clip is equipped with two cold shoe mounts on the sides. Slide compatible accessories, such as LED fill lights or microphones, into these mounts. The top of the selfie stick also has a standard 1/4" screw, allowing direct attachment of mini cameras, sports cameras, or other devices.

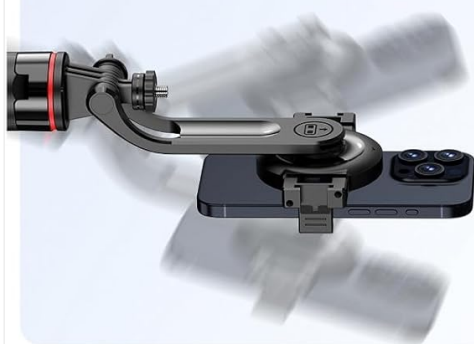
## EXTRA PHONE CLIP MOUNT, MORE STABLE



Stable Fixed Non-Magnetic Phone



Stable Even with Heavy Shaking



## Double Cold Shot Mounts



Can be mounted with an extra LED video light, microphone, etc.



Note: the LED light & microphone are NOT included.

LED fill light



Image: The phone clip features double cold shoe mounts and a 1/4" standard screw for attaching external accessories.

## 4. Switching Between Selfie Stick and Tripod Mode

To use as a selfie stick, keep the tripod legs folded and hold the handle. To use as a tripod, extend the legs as described in the setup section and place it on a flat, stable surface.

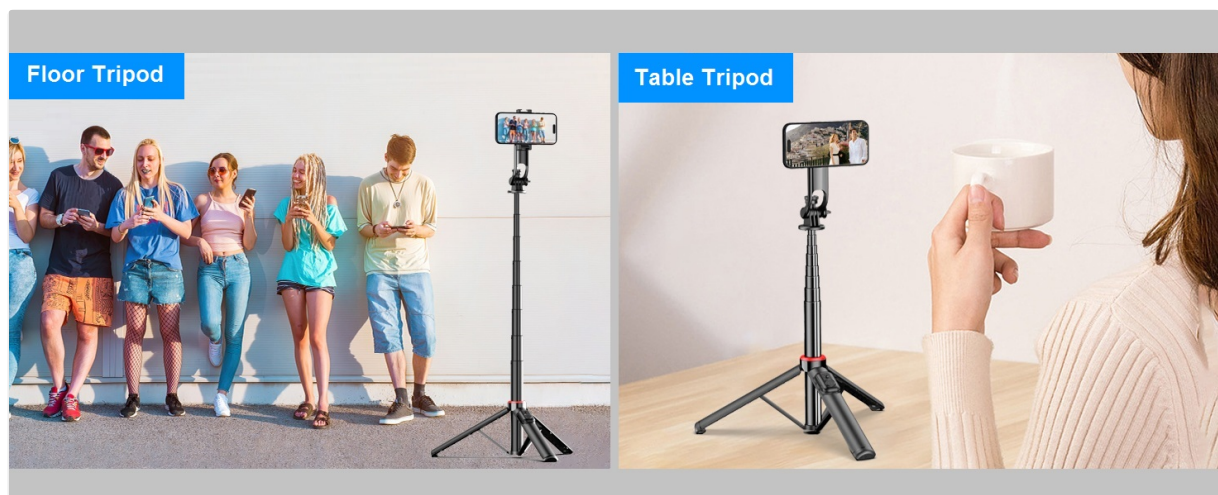


Image: The device can be used as a handheld selfie stick or a stable tripod.

## 5. Video Demonstration

Your browser does not support the video tag.

Video: A demonstration of the KAMISAFE C20 Magnetic Selfie Stick Tripod's features and usage, including magnetic attachment, extension, and angle adjustments.

## Compatibility

---

The KAMISAFE C20 is broadly compatible with a wide range of devices:

- **Smartphones:** iPhone 16, 16 Plus, 16 Pro, 16 Pro Max, 15, 15 Pro, 15 Pro Max, 15 Plus, 14, 14 Plus, 14 Pro, 14 Pro Max, 13, 13 mini, 13 Pro, 13 Pro Max, 12, 12 mini, 12 Pro Max, 11, 11 Pro, 11 Pro Max, 10, SE, XR, XS, XS Max, X, 8, 8 Plus, 7, 7 Plus. Also compatible with Galaxy S24, S24 Ultra, S23 Ultra, S23, S22, S22 Ultra, S21 Ultra, S21, S20, S10+, S10, Note 20, Note 10, Huawei, Google Pixel, Motorola, LG, One Plus, and other smartphones.
- **Other Devices:** Digital cameras, micro SLR cameras, sports cameras, action cameras, LED video lights, microphones, etc., via the 1/4" screw mount or cold shoe mounts.

## Maintenance

---

- **Cleaning:** Wipe the device with a soft, dry cloth. Avoid using harsh chemicals or abrasive materials.
- **Storage:** When not in use, fold the selfie stick tripod to its compact size and store it in a cool, dry place away from direct sunlight.
- **Battery Care:** The remote control uses a Lithium Metal battery. Ensure it is stored properly and replaced when necessary.
- **Avoid Overloading:** Do not attach devices heavier than the recommended weight capacity to prevent damage or instability.

## Troubleshooting

---

- **Remote Not Connecting:**
  - Ensure the remote is turned on and fully charged (if applicable).
  - Check your phone's Bluetooth settings to ensure Bluetooth is enabled and the remote is discoverable.
  - Try unpairing and re-pairing the remote in your phone's Bluetooth settings.
  - Verify the remote's battery is not depleted.
- **Tripod Instability:**
  - Ensure the tripod legs are fully extended and locked into position on a flat, stable surface.
  - Avoid extending the telescopic pole to its maximum height when using heavier devices, as this can reduce stability.
  - Check that your phone or camera is securely mounted and balanced.
- **Phone Not Holding Securely:**
  - For magnetic attachment, ensure your phone or case is MagSafe compatible. If not, use the included metal ring or the clamp mechanism.
  - For clamp attachment, ensure the phone is properly seated and the clamp is fully closed around it.

## Specifications

<b>Product Dimensions</b>	1.5 x 1.38 x 8.9 inches (folded)
<b>Item Weight</b>	9.9 ounces (281 Grams)
<b>Item Model Number</b>	C20
<b>Batteries</b>	1 Lithium Metal battery required (included)
<b>Manufacturer</b>	KAMISAFE
<b>Material</b>	Acrylonitrile Butadiene Styrene (ABS), Aluminum
<b>Maximum Height</b>	51 Inches (130cm)
<b>Minimum Height</b>	9 Inches (24cm)
<b>Number of Leg Sections</b>	3
<b>Special Features</b>	Detachable Magnetic Mount Phone Clip, Double Cold Shoe Mounts, 360° Rotation, Remote Control, Telescopic, Foldable, Slip Resistant, Lightweight

## Warranty and Support

KAMISAFE is committed to providing quality products and customer satisfaction.

- **Warranty:** This product comes with a 1-year warranty for quality-related issues.
- **Returns/Replacements:** Enjoy a 30-day hassle-free replacement and return policy.
- **Customer Support:** We offer 7\*24 hours customer support and lifetime support for satisfied solutions.

For any inquiries or support needs, please refer to the contact information provided in your product packaging or visit the official KAMISAFE store.