

## Twyford CF8138XX

# Twyford Nocturne CF8138XX Low Level Close Coupled Accelerator Kit Instruction Manual

## INTRODUCTION

---

This manual provides detailed instructions for the installation, operation, and maintenance of the Twyford Nocturne CF8138XX Low Level Close Coupled Accelerator Kit with Back Plate Bolt Kit. Please read carefully before proceeding with any installation or maintenance to ensure proper function and safety.

## PRODUCT OVERVIEW

---

### Included Components:

- Nocturne Accelerator Kit (CF8138XX)
- Back Plate Bolt Kit
- Internal Rubber Flush Cone
- Patent Number: 8330721

### Product Description:

The Twyford Nocturne CF8138XX is a genuine replacement part designed for low-level close-coupled toilet cisterns. It includes the accelerator mechanism and the necessary back plate bolts for secure installation, ensuring efficient flushing performance.



Image: The Twyford Nocturne CF8138XX Accelerator Kit, showing the main white plastic accelerator unit and the separate back plate bolt kit components.



Image: A close-up view of the Back Plate Bolt Kit, including two metal bolts, four metal washers, two rubber washers, two rubber sleeves, and two square nuts.

## SETUP AND INSTALLATION

---

### Safety Precautions:

- Ensure the water supply to the toilet is turned off before beginning installation.
- Drain the cistern completely before removing any components.
- Wear appropriate personal protective equipment (PPE) if necessary, such as gloves.

### Tools Required:

- Adjustable spanner or wrench

- Screwdriver (if needed for existing components)
- Towels or sponges for water absorption

## Installation Steps:

### 1. Step 1: Remove Existing Components

Carefully disconnect the water supply pipe from the cistern. Unscrew and remove any existing bolts securing the cistern to the toilet pan. Lift the cistern away from the pan. Remove the old accelerator kit and flush cone from the cistern.

### 2. Step 2: Install New Accelerator Kit

Position the new internal rubber flush cone into the cistern outlet. Place the Nocturne Accelerator Kit over the flush cone, ensuring it is seated correctly and aligned with the cistern's internal structure.

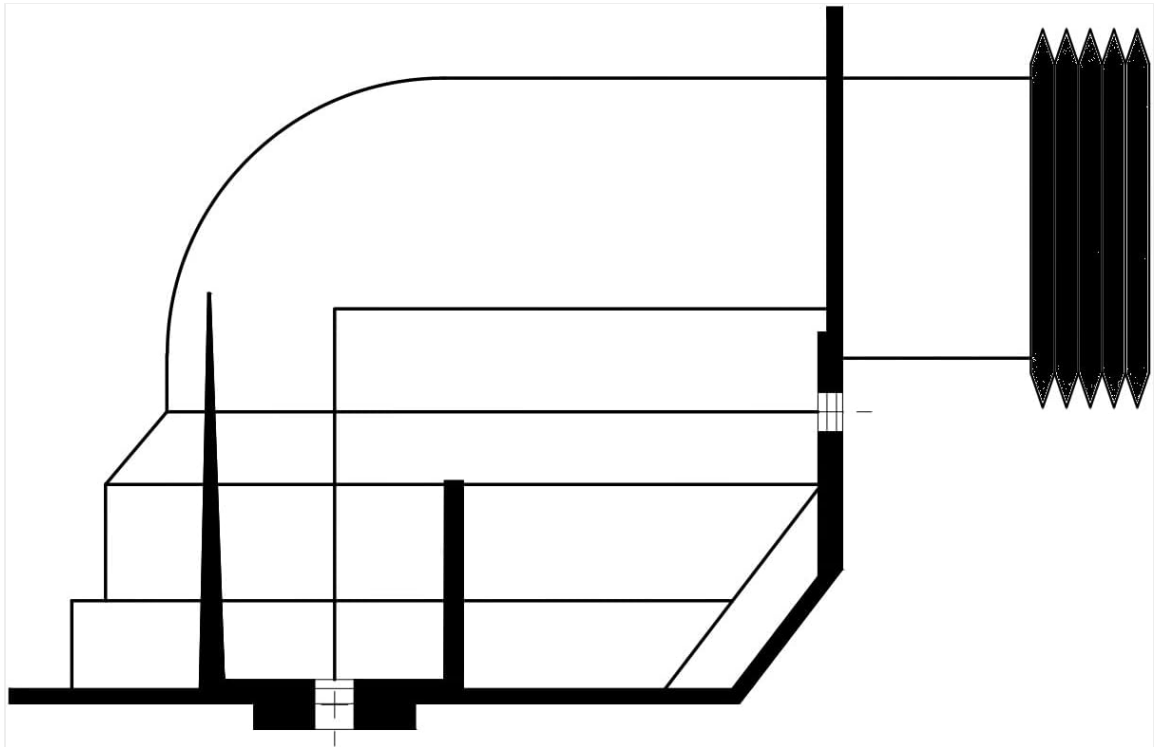


Image: A technical diagram illustrating the internal structure or placement of the accelerator kit within a cistern, showing its connection to the flush outlet.

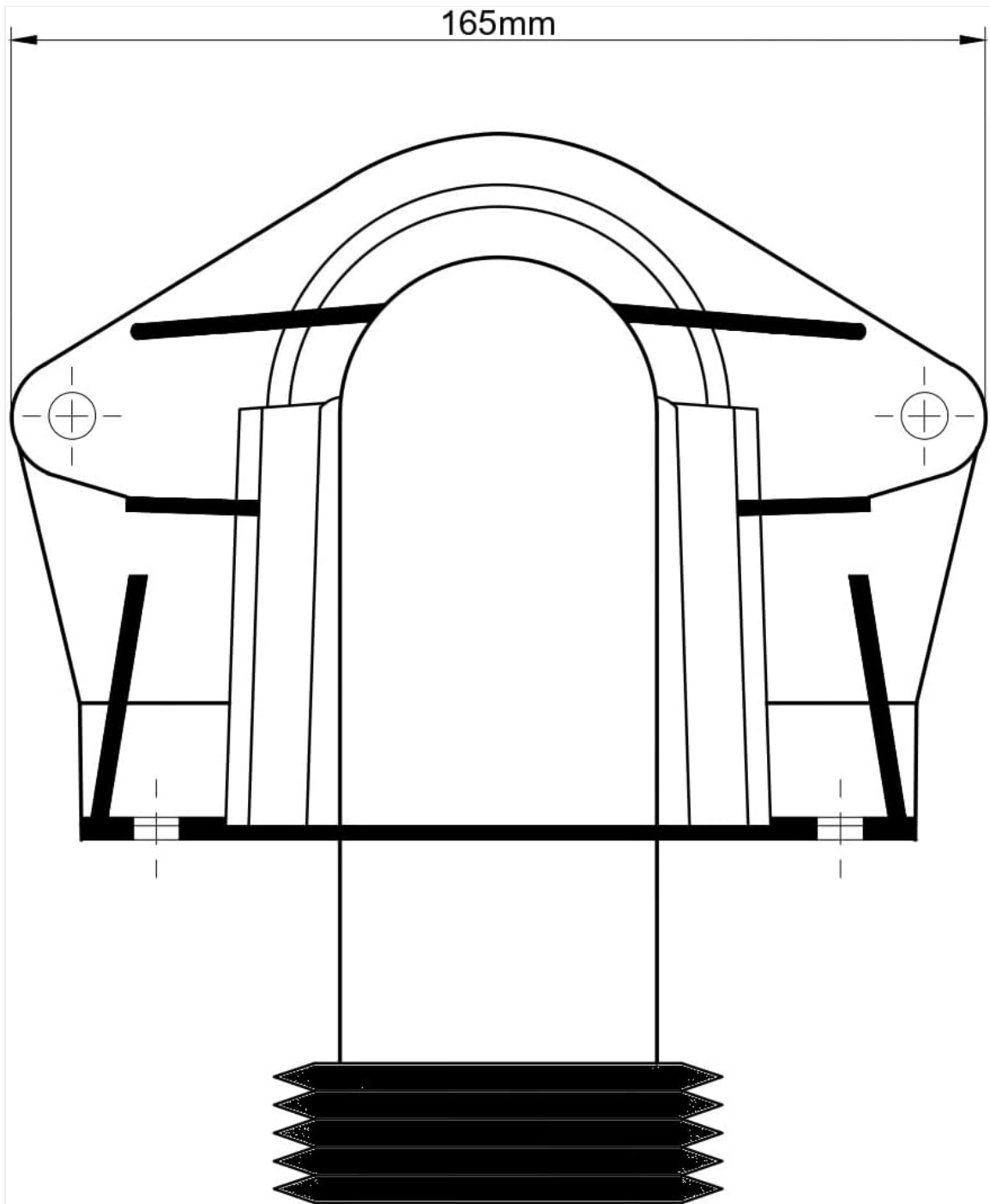


Image: A top-down technical diagram of the accelerator kit, indicating a total width of 165mm, with internal components and bolt hole positions.

### 3. Step 3: Reattach Cistern and Back Plate Bolts

Carefully lower the cistern back onto the toilet pan, aligning the outlet with the pan inlet. Insert the new back plate bolts through the designated holes in the cistern and pan. Secure the bolts with the provided washers and nuts, tightening them evenly to prevent stress on the ceramic. Do not overtighten.

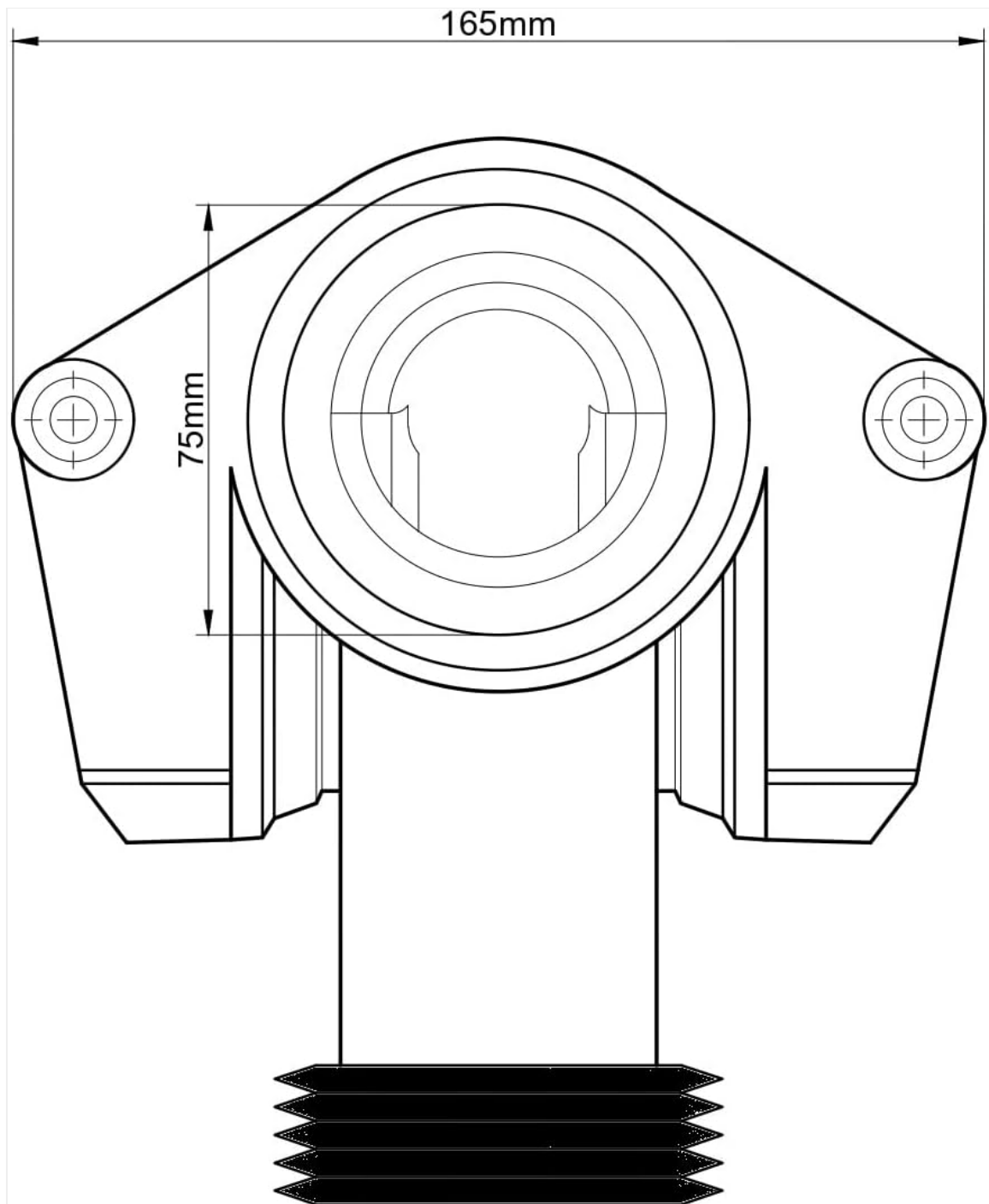


Image: A side-view technical diagram of the accelerator kit, showing its profile and indicating a height dimension of 75mm for a specific component.

#### 4. Step 4: Reconnect Water Supply and Test

Reconnect the water supply pipe to the cistern inlet. Slowly turn on the water supply and allow the cistern to fill. Check for any leaks around the connections and the base of the cistern. Perform several test flushes to ensure the accelerator kit operates correctly and the flush is efficient.

## OPERATION

---

The Twyford Nocturne Accelerator Kit is designed to enhance the flushing performance of your low-level close-coupled toilet. Once installed, the flush mechanism operates as standard. Pressing the flush button or lever activates the accelerator, providing an efficient and powerful flush by optimizing water flow from the cistern to the toilet pan.

## MAINTENANCE

---

To ensure the longevity and optimal performance of your Twyford Nocturne Accelerator Kit, follow these maintenance guidelines:

- **Regular Cleaning:** Clean the toilet and cistern exterior regularly with mild, non-abrasive cleaners. Avoid harsh chemicals that could damage rubber components or the plastic accelerator unit.
- **Inspect for Leaks:** Periodically check for any signs of water leaks around the cistern base or connections. Address any leaks promptly to prevent water waste and potential damage to your bathroom.
- **Check Flush Performance:** If you notice a decrease in flush efficiency or unusual noises, inspect the internal components of the cistern. Ensure the flush cone is free from debris and the accelerator mechanism moves freely without obstruction.
- **Component Replacement:** If any part of the kit becomes worn or damaged, replace it with genuine Twyford spare parts to maintain performance and compatibility.

## TROUBLESHOOTING

---

### Common Issues and Solutions:

Problem	Possible Cause	Solution
<b>Weak or Incomplete Flush</b>	Insufficient water level in cistern. Obstruction in flush mechanism or outlet.	Check water fill level and adjust if necessary. Inspect flush cone and accelerator for debris and clear any blockages.
<b>Cistern Leaks</b>	Loose connections. Damaged flush cone or seals.	Tighten all connections, ensuring not to overtighten. Inspect the internal rubber flush cone and other seals for damage and replace if necessary.
<b>Cistern Fills Slowly or Not at All</b>	Water supply turned off. Inlet valve issue.	Ensure water supply is fully open. Check the inlet valve for obstructions or malfunction (note: this kit does not include the inlet valve, but it's a common related issue).

## SPECIFICATIONS

---

- **Model Number:** CF8138XX
- **Item Model Number (Patent):** 8330721
- **Manufacturer:** Twyford
- **Product Dimensions (L x W x H):** 16 x 16 x 8 cm
- **Color:** White
- **Quantity of Items:** 1
- **Included Components:** Nocturne Accelerator, Back Plate Bolt Kit
- **Spare Parts Availability:** Information unavailable
- **Date First Available:** 22 November 2024

## WARRANTY AND SUPPORT

---

### **Warranty Information:**

This product is a replacement part. Specific warranty details may vary depending on the region and retailer. Please refer to your original toilet system's warranty documentation or contact Twyford directly for information regarding replacement part warranties.

### **Customer Support:**

For further assistance, technical support, or to inquire about genuine Twyford spare parts, please contact Twyford customer service through their official website or authorized distributors. When contacting support, please have your product model number (CF8138XX) available.