

## RCYouHott B-TRX4-Snow Plow-1

# RCYouHott 1/10 RC Crawler Snow Plow Instruction Manual

Model: B-TRX4-Snow Plow-1

## 1. INTRODUCTION

---

This manual provides comprehensive instructions for the assembly, operation, and maintenance of your RCYouHott 1/10 RC Crawler Snow Plow. This accessory is designed to enhance the functionality of compatible 1/10 scale RC crawlers, allowing them to clear light snow or debris. Please read this manual thoroughly before installation and use to ensure proper function and longevity of the product.

## 2. PRODUCT OVERVIEW

---

The RCYouHott 1/10 RC Crawler Snow Plow is a durable attachment crafted from high-quality materials using CNC precision machining. It is engineered for reliability and compatibility with specific RC crawler models. The design incorporates strengthening cut-outs for increased crash resistance, contributing to its overall performance and durability.



Made of high-quality materials  
and CNC precision machining

**Figure 2.1:** Front view of the snow plow, highlighting its robust construction and precision machining.

This snow plow is specifically designed for 1/10 scale RC crawlers, including models such as the SCX10, TRX4, and TRX6. Its robust construction ensures it can withstand the demands of outdoor use.

**FITS FOR**

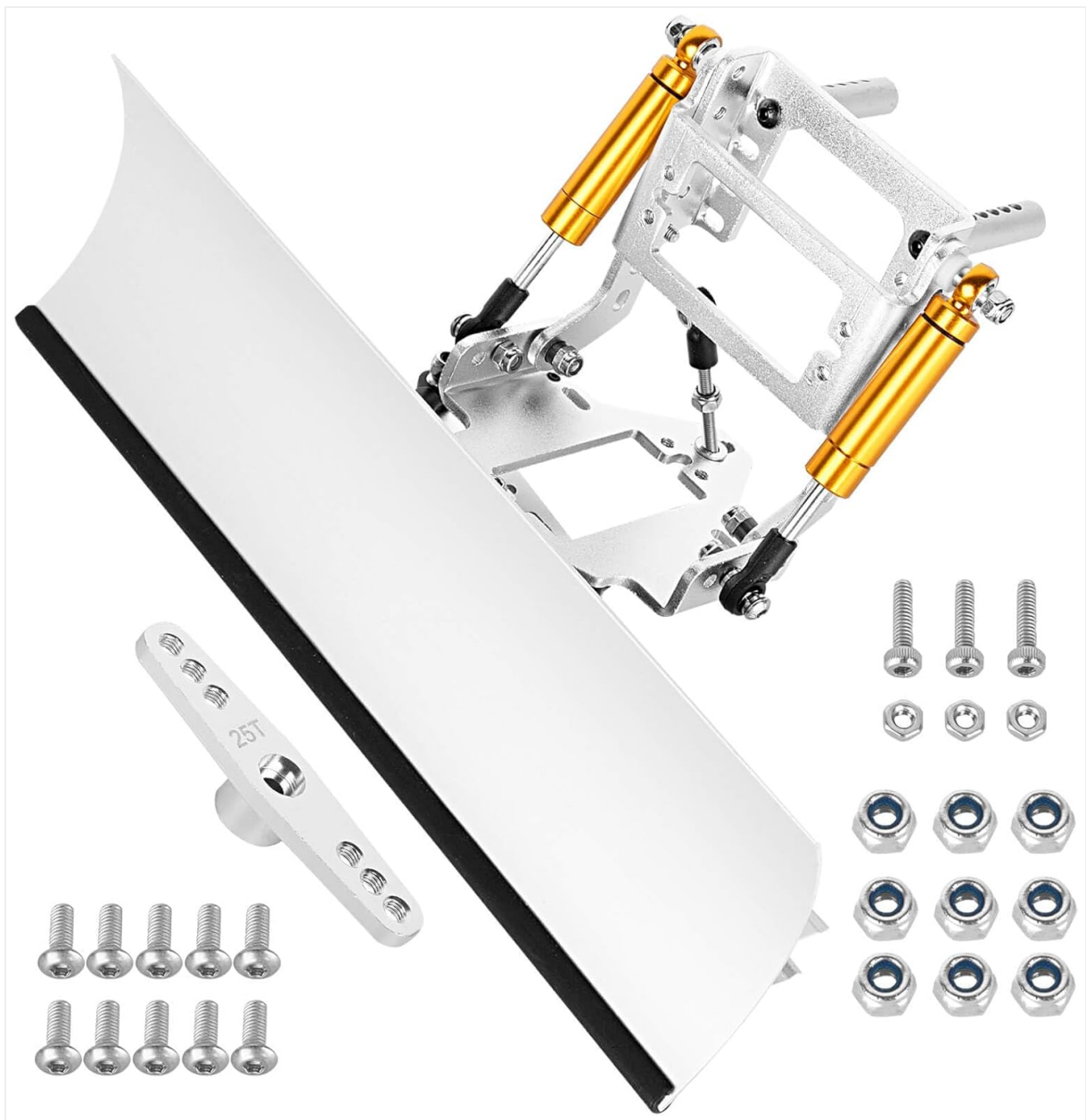
**1/10 RC Crawler TRX4 SCX10**



Figure 2.2: The snow plow attachment shown mounted on a compatible 1/10 RC crawler chassis.

### 3. PACKAGE CONTENTS

Please verify that all components are present and undamaged upon opening the package. If any parts are missing or damaged, contact your retailer for assistance.



**Figure 3.1:** Overview of all included components: snow plow blade, mounting frame, adjustable linkages, servo arm, and various fasteners.

- Snow Plow Blade
- Main Mounting Frame
- Adjustable Linkages and Shocks (2 sets)
- Servo Arm (25T)
- Assorted Screws, Nuts, and Washers

## 4. SETUP AND INSTALLATION

Installation of the snow plow requires careful assembly and adaptation to your specific RC crawler chassis. This product is not a direct "plug and play" accessory and may require some customization or additional components (e.g., a high-torque servo for plow control) depending on your RC model.

### 4.1 Required Tools (Not Included)

- Small Phillips head screwdriver
- Hex wrenches (various sizes, typically 1.5mm, 2.0mm, 2.5mm)

- Needle-nose pliers
- Thread-locking compound (e.g., blue Loctite)

## 4.2 Assembly Steps

1. **Attach Linkages to Plow Blade:** Secure the adjustable linkages to the designated mounting points on the snow plow blade using the provided screws and nuts. Ensure all connections are firm but allow for smooth movement.
2. **Assemble Mounting Frame:** Connect the main mounting frame components. Refer to the detailed images for correct orientation of the frame parts and shock absorbers.



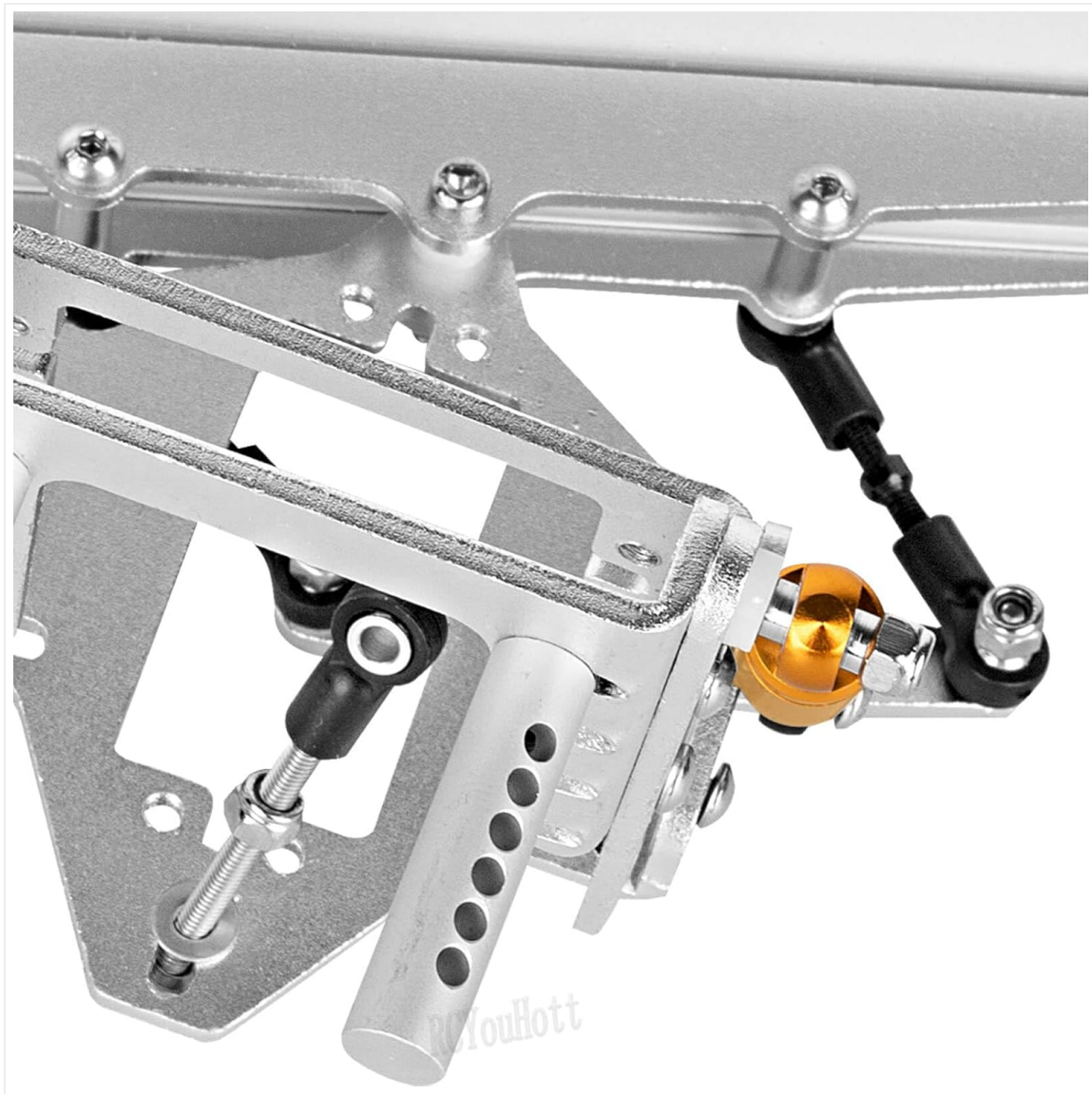
Figure 4.1: Detailed view of the mounting frame assembly, showing linkage attachment points.

3. **Mount Plow Assembly to RC Chassis:** Identify suitable mounting points on the front of your 1/10 RC crawler chassis (e.g., bumper mounts, frame rails). The snow plow frame is designed to be adaptable. You may need to drill new holes or use existing ones. Secure the plow assembly firmly to the chassis.



**Figure 4.2:** Side profile of the assembled snow plow, illustrating its structure before final attachment to the RC vehicle.

- 4. Install Servo Arm and Servo (Optional but Recommended):**For functional control of the plow's angle or lift, a servo is highly recommended. Attach the included 25T servo arm to a compatible servo (not included). Mount the servo to your chassis in a position that allows connection to the plow's control linkage.



**Figure 4.3:** Detail of the servo arm mounting location, crucial for dynamic plow control.

5. **Apply Thread-Locking Compound:** It is crucial to apply a small amount of thread-locking compound (e.g., blue Loctite) to the threads of all metal screws during assembly. This prevents screws from loosening due to vibrations during operation.
6. **Adjust Plow Angle:** The plow features adjustable linkages and a central adjustment screw to set the desired blade angle and height. Adjust these to suit your specific terrain and clearing needs.



Figure 4.4: The central adjustment point for fine-tuning the plow's angle and height.

## 5. OPERATING INSTRUCTIONS

Once installed, the RCYouHott snow plow is ready for operation. Ensure your RC crawler's battery is fully charged and all radio controls are functioning correctly.

- **Initial Test:** Operate your RC crawler at a low speed in an open area to familiarize yourself with the added weight and handling characteristics with the plow attached.
- **Plow Angle Adjustment:** If a servo is installed, use your radio transmitter to adjust the plow's angle for optimal clearing. For manual adjustment, follow step 6 in Section 4.2.
- **Clearing Technique:** Approach snow or debris at a moderate speed. Avoid high-speed impacts, as this can damage the plow or your RC vehicle. Make multiple passes if necessary for deeper snow.
- **Surface Considerations:** The plow is designed for light snow, loose dirt, or sand. Avoid using it on hard-packed ice, rocks, or heavy, wet snow, which can overstress the plow and your RC crawler's drivetrain.

## 6. MAINTENANCE

Regular maintenance will ensure the longevity and optimal performance of your snow plow attachment.

- **Cleaning:** After each use, especially in wet or dirty conditions, clean the plow blade and frame with a

damp cloth to remove snow, mud, or debris. Dry thoroughly to prevent corrosion.

- **Fastener Check:** Periodically inspect all screws and nuts for tightness. Re-apply thread-locking compound if any fasteners appear loose.
- **Linkage Inspection:** Check the adjustable linkages and pivot points for any signs of wear or damage. Ensure they move freely without excessive play.
- **Storage:** Store the snow plow in a clean, dry environment when not in use.

## 7. TROUBLESHOOTING

This section addresses common issues you might encounter with your snow plow.

Problem	Possible Cause	Solution
Plow blade not moving smoothly.	Tight or misaligned linkages; debris in pivot points.	Check linkage alignment and loosen slightly if too tight. Clean pivot points.
Plow detaches during operation.	Loose mounting screws; insufficient thread-locking compound.	Tighten all mounting screws. Re-apply thread-locking compound as needed.
Plow angle cannot be maintained (if servo-controlled).	Weak servo; loose servo arm connection.	Ensure a high-torque servo is used. Check servo arm for secure attachment to servo spline and plow linkage.

## 8. SPECIFICATIONS

- **Compatibility:** 1/10 Scale RC Crawlers (e.g., SCX10, TRX4, TRX6)
- **Material:** Aluminum alloy (frame, blade), Plastic (some linkages)
- **Manufacturer Reference:** B-TRX4-Snow Plow-1
- **Parcel Dimensions:** Approximately 33.2 x 13.31 x 13.11 cm
- **Weight:** Approximately 349 g
- **Recommended Age:** 14 years and up
- **Batteries Required:** No (for the plow itself, RC crawler requires its own power source)

## 9. WARRANTY AND SUPPORT

Specific warranty details for the RCYouHott 1/10 RC Crawler Snow Plow are not provided in this manual. For warranty claims, technical support, or replacement parts, please contact your original retailer or the manufacturer directly. Keep your proof of purchase for any warranty-related inquiries.

Manufacturer: RCYouHott