



Manuals.plus /

› LEROAADZ /

› LEROAADZ 10-inch Double Din Car Stereo User Manual - Wireless CarPlay/Android Auto, Detachable QLED Touchscreen

LEROAADZ SF20250910

LEROAADZ 10-inch Double Din Car Stereo User Manual

Model: SF20250910

1. INTRODUCTION

Thank you for purchasing the LEROAADZ 10-inch Double Din Car Stereo. This manual provides essential information for the safe and efficient operation of your new car stereo. Please read it thoroughly before installation and use, and keep it for future reference.

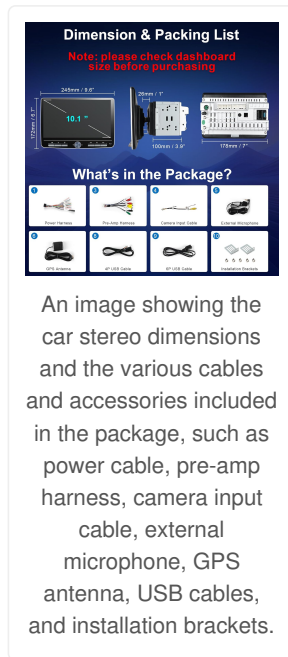
This car stereo features a detachable QLED touchscreen, wireless Apple CarPlay and Android Auto, Bluetooth connectivity, GPS navigation, and supports various multimedia functions including Netflix and YouTube playback when parked. It is designed to enhance your driving experience with modern technology and superior sound quality.

2. SAFETY INFORMATION

- **Professional Installation Recommended:** Installation of this product requires technical knowledge and experience. It is highly recommended to have it installed by a qualified professional to prevent damage to the unit or your vehicle.
- **Disconnect Battery:** Always disconnect the vehicle's battery before attempting any installation or wiring to prevent electrical shorts and damage.
- **Driving Safety:** Do not operate the unit in a way that distracts you from driving. Always prioritize road safety. Video playback features like Netflix and YouTube are intended for use only when the vehicle is safely parked.
- **Wiring:** Ensure all wiring connections are secure and properly insulated to prevent short circuits. Refer to the wiring diagram carefully.
- **Power Supply:** Connect the unit only to a 12V DC power supply with a negative ground.
- **Temperature:** Avoid exposing the unit to extreme temperatures or direct sunlight for prolonged periods.
- **Moisture:** Keep the unit away from moisture and water to prevent electrical hazards.
- **Cleaning:** Use a soft, dry cloth for cleaning. Do not use abrasive cleaners or solvents.

3. PACKAGE CONTENTS

Verify that all items are present in the package before installation:



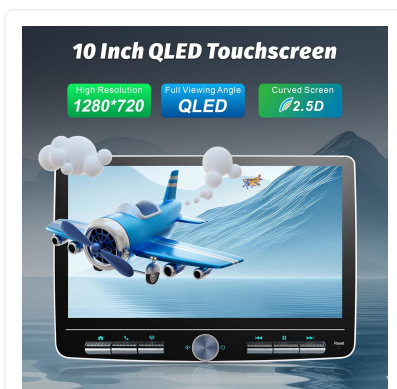
- 10-inch Double Din Car Stereo Unit
- Power Harness
- Pre-Amp Harness
- Camera Input Cable
- External Microphone
- GPS Antenna
- 4P USB Cable
- 6P USB Cable
- Installation Brackets
- User Manual (this document)

4. PRODUCT OVERVIEW

The LEROAADZ 10-inch Double Din Car Stereo is designed to provide a comprehensive in-car entertainment and navigation experience. Key features include:

- **10-inch Detachable QLED Touchscreen:** High-resolution (1280x720) display for clear visuals, even in sunlight.
- **Wireless Apple CarPlay & Android Auto:** Seamless smartphone integration for navigation, music, calls, and messages.
- **Bluetooth Connectivity:** Hands-free calling and wireless audio streaming.
- **GPS Navigation:** Supports online and offline navigation applications.
- **Multimedia Playback:** Access to streaming services like Netflix and YouTube (when parked and connected to Wi-Fi).
- **DSP 36-band EQ:** Advanced sound customization for optimal audio quality.
- **Physical Volume Knob & Buttons:** For quick and safe control while driving.
- **Backup Camera Input:** Enhances driving safety with a wide rear view (camera sold separately).

4.1. Main Unit Features



The 10-inch QLED touchscreen with 1280x720 resolution, offering a full viewing angle and a curved 2.5D design for enhanced visual clarity.



The car stereo unit featuring practical physical buttons and a volume knob for easy control of functions like Home, Bluetooth, Radio, Volume, Previous, Pause, and Next.

4.2. Rear Panel Connections

If the ACC Power is not Available

This product cannot be installed in a vehicle without ACC (accessory) position on the ignition switch.

ACC position

No ACC position

Connection Diagram (if the ACC power is not available)

Method 1

Method 2

A detailed view of the rear panel of the car stereo, highlighting connection points for GPS antenna, USB ports (6-pin and 4-pin), backup camera, and power supply.

5. SETUP & INSTALLATION

Important: Before starting installation, ensure the vehicle's ignition is off and the battery is disconnected. Professional

installation is recommended.

5.1. Detaching the Screen Panel

The screen panel is detachable for easier installation and security. Follow these steps:

1. **Disconnect Battery:** Always disconnect the vehicle battery before detaching or attaching the screen.
2. **Press Clips:** Locate clips (A & B) on the side of the screen panel. Press them towards the center.
3. **Unplug Cable:** Carefully unplug the cable connecting the screen to the main unit.
4. **Pull Screen Panel:** Gently pull the screen panel away from the main unit.



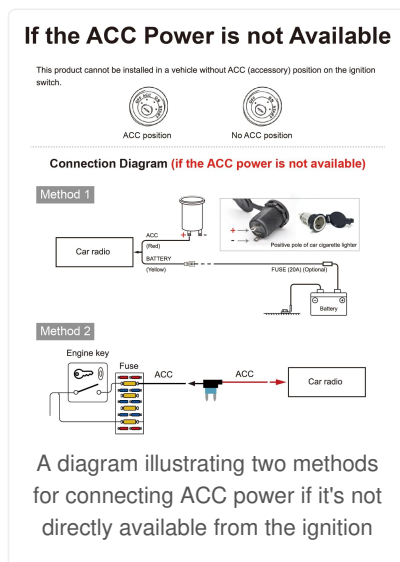
5.2. Wiring Connections

Use the provided wiring harness and cables to connect the stereo to your vehicle's electrical system. Refer to the color-coded wires for correct connections.

- **Power Harness:** Connect to the vehicle's power, ground, and accessory wires.
- **Pre-Amp Harness:** For connecting external amplifiers or subwoofers.
- **Camera Input Cable:** Connect your backup camera (if applicable).
- **GPS Antenna:** Mount the GPS antenna in a location with a clear view of the sky.
- **USB Cables:** For connecting USB devices or wired CarPlay/Android Auto.
- **External Microphone:** For improved voice clarity during calls and voice commands.

5.3. ACC Power Connection (If Not Available)

If your vehicle does not have an ACC (accessory) position on the ignition switch, you may need to use an alternative connection method. This product cannot be installed in a vehicle without an ACC position.



switch, including using a car cigarette lighter or an engine key fuse connection.

Method 1: Car Cigarette Lighter

Connect the ACC (Red) wire to the positive pole of the car cigarette lighter. Ensure a fuse (20A optional) is used for protection.

Method 2: Engine Key Fuse

Connect the ACC wire to a suitable fuse in the engine key fuse box that provides switched 12V power.

5.4. Mounting the Unit

Use the provided installation brackets to secure the main unit into your vehicle's double din slot. Ensure the unit is firmly mounted to prevent movement during driving.



A visual comparison showing a car dashboard before and after the installation of the 10-inch double din car stereo, demonstrating the integrated look.

6. OPERATING INSTRUCTIONS

6.1. Power On/Off

The unit will power on automatically when the vehicle's ignition is turned to the ACC or ON position. To turn off, turn off the vehicle's ignition.

6.2. Wireless Apple CarPlay & Android Auto

Connect your iOS or Android smartphone wirelessly via Bluetooth and Wi-Fi for seamless integration. This allows access to navigation, music, calls, and voice assistants.

1. Ensure Bluetooth is enabled on your smartphone and the car stereo.
2. Pair your smartphone with the car stereo via Bluetooth.
3. Once paired, the system will prompt you to enable Wireless CarPlay or Android Auto. Confirm the connection.
4. Use Siri or Google Assistant for voice control.



The car stereo display showing the interface for Wireless Apple CarPlay and Android Auto, with icons for various applications like TikTok, Google Maps, and YouTube.



A view of the Apple CarPlay interface on the car stereo, displaying common apps like Phone, Music, Maps, and Messages, integrated into the vehicle's dashboard.



The Apple CarPlay interface demonstrating voice control functionality, with Siri activated for commands like navigation or music playback.

Your browser does not support the video tag.

Video demonstrating the various functions of the 10-inch car stereo, including wireless Apple CarPlay, Android Auto, GPS navigation, music playback, and EQ adjustments.

6.3. GPS Navigation

Utilize integrated GPS for navigation. Supports both online and offline maps. For offline maps, download the necessary regions via Wi-Fi.



The car stereo display showing GPS navigation with voice control integration, allowing users to navigate using Siri or Google Assistant.



The car stereo displaying various navigation apps like Google Maps and iGO, highlighting its capability for both online and offline GPS navigation.

6.4. Bluetooth Functions

Pair your phone via Bluetooth for hands-free calling and audio streaming.

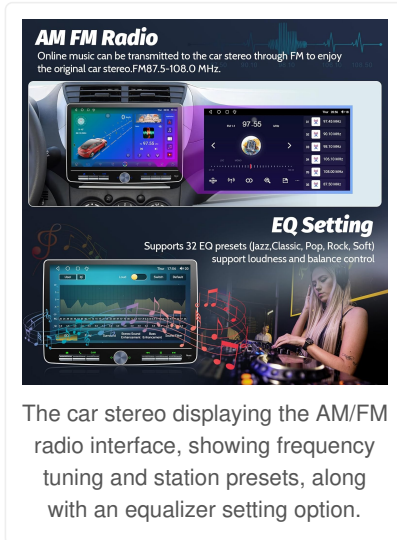
- **Hands-Free Calling:** Make and receive calls directly from the stereo.
- **Audio Streaming:** Play music from your phone wirelessly.



The car stereo displaying Bluetooth music playback and hands-free calling icons, indicating wireless audio and communication capabilities.

6.5. Radio (FM/AM)

Access FM and AM radio stations. Use the touchscreen to scan and save your favorite stations.



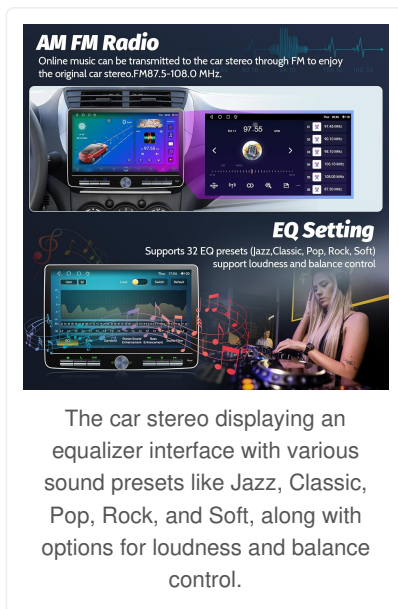
6.6. Multimedia Playback (Netflix, YouTube)

When connected to Wi-Fi and the vehicle is parked, you can stream content from applications like Netflix and YouTube directly on the QLED display.



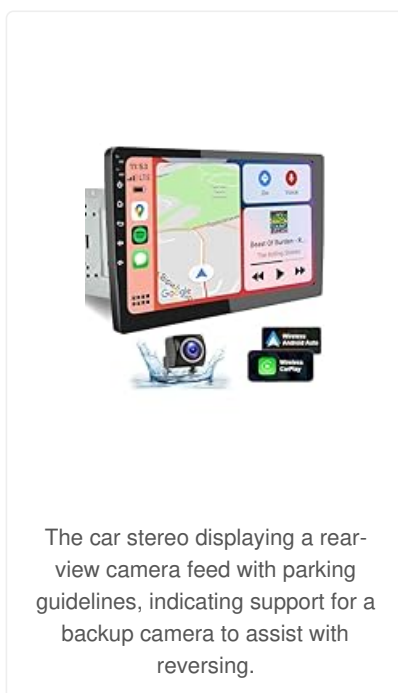
6.7. EQ Adjustment

Customize your audio experience with the built-in DSP 36-band equalizer. Adjust frequency bands, loudness, and balance to suit your preferences.



6.8. Backup Camera

Connect a 720P backup camera (sold separately) to view the rear of your vehicle when reversing, enhancing safety.



7. MAINTENANCE

- **Screen Cleaning:** Use a soft, lint-free cloth to gently wipe the touchscreen. For stubborn smudges, slightly dampen the cloth with water or a screen-safe cleaner. Avoid harsh chemicals.
- **General Cleaning:** Keep the unit free from dust and debris. Use a soft brush or compressed air to clean vents and button areas.
- **Software Updates:** Periodically check for software updates from the manufacturer to ensure optimal performance and access to new features.
- **Avoid Liquids:** Do not spill liquids on the unit. If liquid enters the unit, disconnect power immediately and consult a professional.

8. TROUBLESHOOTING

Problem	Possible Cause	Solution
Unit does not power on.	Incorrect wiring; Blown fuse; No ACC power.	Check power and ground connections. Verify vehicle fuses. Ensure ACC power is correctly connected (refer to Section 5.3).
No sound.	Volume too low; Mute activated; Speaker wiring issue; Amplifier not connected.	Increase volume. Check if mute is active. Verify speaker connections. Ensure external amplifier is powered and connected correctly.
Wireless CarPlay/Android Auto not connecting or disconnecting.	Bluetooth/Wi-Fi interference; Phone software issue; Incorrect pairing.	Ensure phone's Bluetooth and Wi-Fi are on. Forget and re-pair the device. Restart both phone and car stereo. Check for phone OS updates.
GPS signal lost or inaccurate.	GPS antenna obstruction; Antenna not properly connected.	Ensure GPS antenna has a clear view of the sky. Check antenna connection to the unit.
Touchscreen unresponsive.	Temporary software glitch; Screen calibration needed.	Restart the unit. If issue persists, consult customer support for screen calibration instructions.

9. SPECIFICATIONS

Feature	Detail
Model Number	SF20250910
Screen Size	10.1 inches
Display Type	QLED Touchscreen
Resolution	1280x720
Connectivity	Bluetooth, USB, Wi-Fi
Smartphone Integration	Wireless Apple CarPlay, Wireless Android Auto
Voice Control	Siri, Google Assistant
Audio Output Mode	Surround
Surround Sound Channel Configuration	2.1
Output Power	200 Watts
EQ	DSP 36-band EQ
Supported Internet Services	Browser, Hulu, Pandora, Skype, YouTube, iTunes (Netflix also supported)
Item Dimensions (D x W x H)	4.3"D x 7"W x 4.3"H

10. WARRANTY & SUPPORT

Warranty: This product comes with a 1-year warranty from the date of purchase. The warranty covers manufacturing defects and malfunctions under normal use. It does not cover damage caused by improper installation, misuse, accidents,

or unauthorized modifications.

Customer Support: For technical assistance, troubleshooting, or warranty claims, please contact LEROAADZ customer support through the retailer where the product was purchased or visit the official LEROAADZ website for contact information.

Please have your model number (SF20250910) and proof of purchase ready when contacting support.

