

unho LBSU-Z1618

UNHO TV Tripod Stand LBSU-Z1618 Instruction Manual

Model: LBSU-Z1618

1. INTRODUCTION AND PRODUCT OVERVIEW

The UNHO TV Tripod Stand LBSU-Z1618 is a freestanding television support designed for screens ranging from 40 to 75 inches. It features a robust construction with solid wood legs, a metal frame, and a sintered stone shelf. This stand offers adjustable height and a 30-degree swivel function to optimize your viewing experience. Its minimalist design integrates well into various living spaces, making it suitable for both central and corner placements.



Figure 1: UNHO TV Tripod Stand with a television mounted. This image shows the overall aesthetic of the stand with its light wood legs and dark central column, supporting a large flat-screen TV.



Figure 2: The TV stand integrated into a modern living room, showcasing its elegant design and functionality.



Figure 3: The stand positioned in a room corner, demonstrating its space-saving triangular base design.



Figure 4: The TV stand in a bedroom setting, highlighting its versatility in different environments.

2. SAFETY INFORMATION

- Read and understand all instructions before assembly and use. Failure to do so may result in personal injury or property damage.
- Do not exceed the maximum weight capacity of 40 kg (88 lbs). Overloading can cause instability and potential damage.
- Ensure the television's VESA mounting pattern is compatible with the stand (200x200mm to 600x400mm).
- Place the TV stand on a stable, level, and non-slip surface to prevent tipping.
- Keep children and pets away from the assembly area. Small parts may be a choking hazard.
- Periodically check all screws and connections to ensure they remain tight and secure.
- Do not hang on the TV or the stand.
- If any parts are missing or damaged, do not attempt to assemble. Contact customer support for assistance.

3. PACKAGE CONTENTS

Verify that all components are present and undamaged before proceeding with assembly.

- 1 x UNHO TV Tripod Stand (main frame and legs)
- 1 x VESA Mounting Plate
- 1 x Sintered Stone Shelf
- 1 x Assembly Hardware Kit (screws, washers, spacers, tools)
- 1 x Instruction Manual (this document)

4. SPECIFICATIONS

Product Type	Floor TV Tripod Stand
Model Number	LBSU-Z1618
Compatible TV Sizes	40 - 75 inches
Maximum Load Capacity	40 kg (88 lbs)
VESA Compatibility	200x200mm, 300x200mm, 400x200mm, 400x300mm, 400x400mm, 600x400mm
Height Adjustment Range	130 cm - 150 cm (51.18 - 59.06 inches)
Swivel Angle	±30 degrees (left/right)
Materials	SPCC Cold Rolled Steel, Solid Wood, Sintered Stone
Color	Black and White
Net Weight	10.7 kg (23.6 lbs)

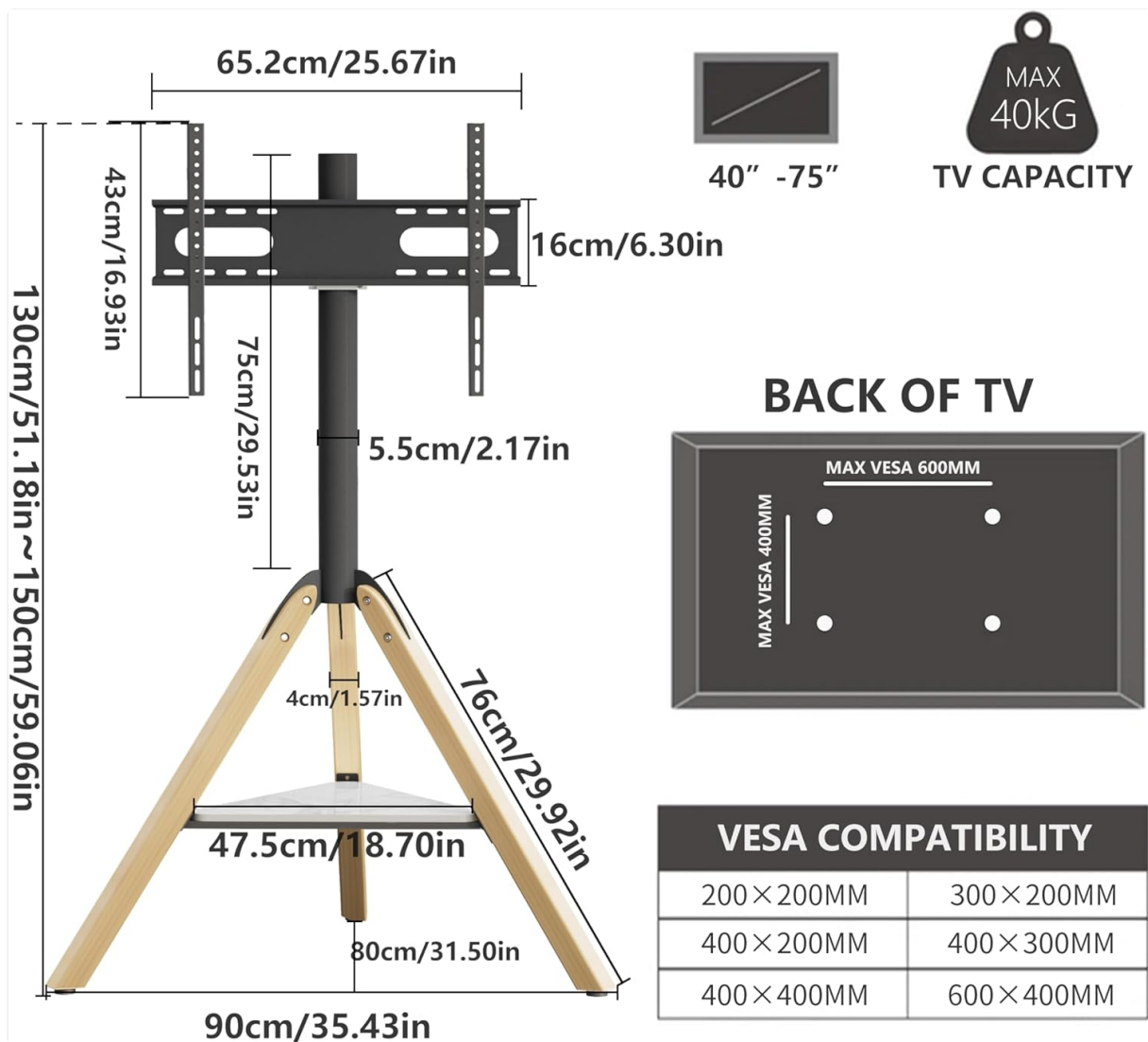


Figure 5: Detailed dimensions and VESA compatibility. This diagram illustrates the various measurements of the stand, including height, width, and depth, along with the supported VESA mounting patterns for televisions.

5. SETUP AND ASSEMBLY INSTRUCTIONS

Please follow these steps carefully. It is recommended to have a second person assist with mounting the television.

- 1. Unpack Components:** Carefully remove all parts from the packaging and lay them out on a clean, soft surface to prevent scratches. Verify all parts against the package contents list.
- 2. Assemble the Tripod Base:** Attach the solid wood legs to the central column using the provided hardware. Ensure all connections are secure but do not overtighten initially. The triangular structure at the base enhances stability.
- 3. Install the Sintered Stone Shelf:** Secure the sintered stone shelf to the designated position on the tripod base. This shelf provides a stable surface for media devices.
- 4. Attach VESA Mounting Plate to TV:** Identify the correct screws, washers, and spacers for your television's VESA mounting holes. Securely attach the VESA mounting plate to the back of your TV. Ensure the plate is centered and firmly attached.
- 5. Mount TV to Stand:** With assistance, carefully lift the television and hook the VESA mounting plate onto the central column of the stand. Secure the TV to the stand using the locking mechanisms or screws as indicated in the hardware kit.
- 6. Adjust Height:** Loosen the height adjustment mechanism on the central column. Adjust the TV to

your desired viewing height (between 130 cm and 150 cm). Once the desired height is achieved, securely tighten the adjustment mechanism.

- 7. Final Tightening and Stability Check:** Once the TV is mounted and at the desired height, re-check all screws and connections on the entire stand, ensuring they are fully tightened for maximum stability. Gently test the stand's stability before leaving the TV unattended.

Product Details

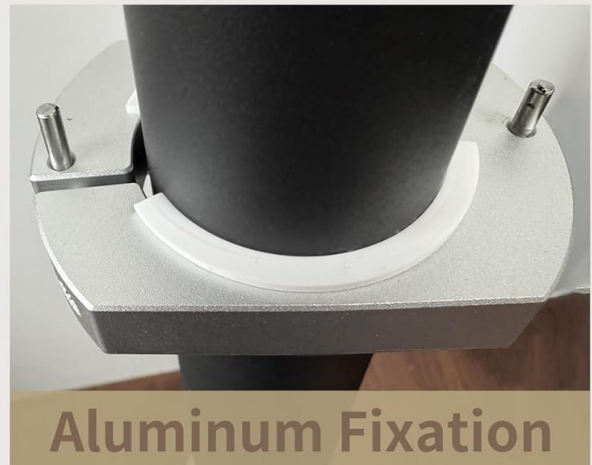


Figure 6: Product details highlighting the solid wood legs, triangular base structure, sintered stone shelf, and aluminum fixation points. These components contribute to the stand's stability and aesthetic.



Figure 7: Stability comparison. This image contrasts the robust triangular base of the UNHO stand, which includes iron tubes for enhanced stability, with a less stable design that relies solely on tripod legs.

6. OPERATING INSTRUCTIONS

6.1. Height Adjustment

The UNHO TV Tripod Stand allows for continuous height adjustment to achieve your preferred viewing level. To adjust the height:

1. Loosen the height adjustment knob or lever located on the central column.
2. Carefully raise or lower the television to the desired height (between 130 cm and 150 cm). It is advisable to have assistance when adjusting the height of a large TV.
3. Once the TV is at the desired height, firmly tighten the adjustment knob or lever to secure it in place.



Figure 8: Adjustable heights. This image shows the TV stand at two different heights, illustrating the 20cm range of vertical adjustment possible for the television.

6.2. Swivel Function

The TV stand features a swivel function, allowing you to rotate your television up to 30 degrees left or right for optimal viewing angles from different positions in the room.

- Gently grasp the sides of your television.
- Carefully rotate the TV to the left or right, up to a maximum of 30 degrees in either direction.
- Avoid forcing the TV beyond its rotational limits.

Swivel $\pm 30^\circ$

Easily find the comfortable angle to immerse yourself in the watching experience

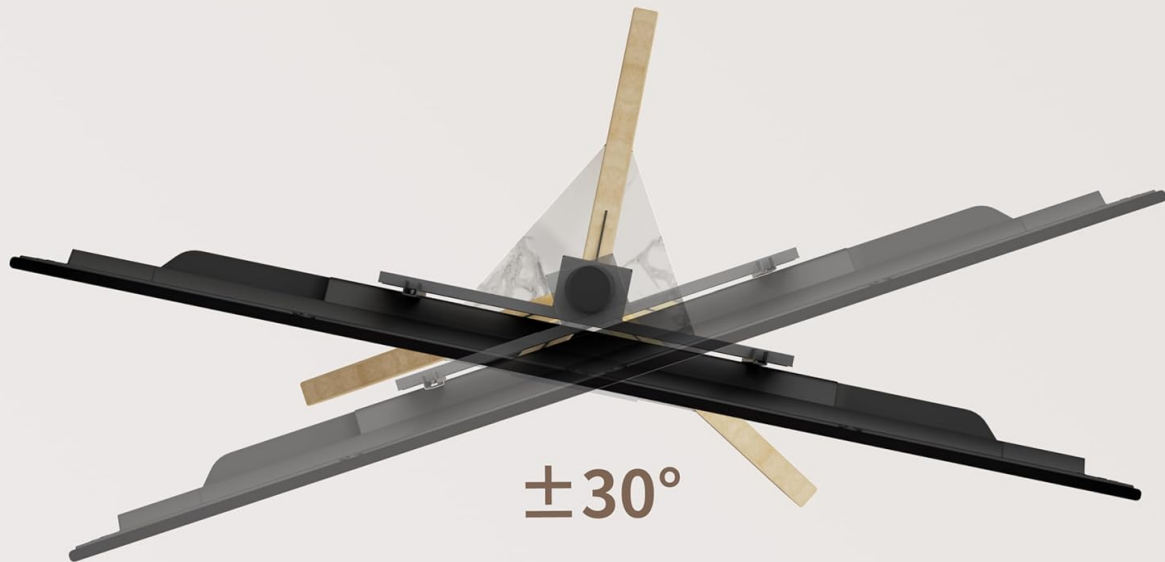


Figure 9: Swivel function. This graphic illustrates the television rotating ± 30 degrees, allowing users to easily adjust the viewing angle.

7. MAINTENANCE

- **Cleaning:** Use a soft, dry cloth to clean the stand. For stubborn marks, a slightly damp cloth with mild soap can be used, followed by drying immediately. Avoid abrasive cleaners or harsh chemicals, as they can damage the finish.
- **Hardware Check:** Periodically (e.g., every 3-6 months) inspect all screws, bolts, and connections to ensure they are still tight. Re-tighten if necessary to maintain stability and safety.
- **Wood Care:** The solid wood legs may benefit from occasional wood polish or oil to maintain their appearance and prevent drying. Follow the instructions of the wood care product.
- **Sintered Stone Shelf Care:** The sintered stone shelf is durable but can be cleaned with a damp cloth. Avoid dropping heavy objects on it to prevent chipping or cracking.

8. TROUBLESHOOTING

Problem	Possible Cause	Solution
---------	----------------	----------

Problem	Possible Cause	Solution
Stand is unstable or wobbly.	<ul style="list-style-type: none"> ◦ Screws are not fully tightened. ◦ Stand is on an uneven surface. ◦ TV weight exceeds maximum capacity. 	<ul style="list-style-type: none"> ◦ Re-tighten all assembly screws. ◦ Move the stand to a level surface. ◦ Ensure TV weight is within 40 kg limit.
TV is not level after mounting.	<ul style="list-style-type: none"> ◦ VESA plate not centered or adjusted correctly. ◦ Height adjustment mechanism not secured evenly. 	<ul style="list-style-type: none"> ◦ Adjust the VESA plate on the TV or the mounting bracket on the stand. ◦ Ensure the height adjustment is locked symmetrically.
Difficulty swiveling the TV.	<ul style="list-style-type: none"> ◦ Mechanism is too tight. ◦ Obstruction behind the TV. 	<ul style="list-style-type: none"> ◦ Check if any screws related to the swivel mechanism are overtightened. ◦ Ensure there are no cables or objects blocking the TV's rotation.

9. WARRANTY AND SUPPORT

UNHO products are manufactured with quality and durability in mind. For specific warranty information, including coverage details and duration, please refer to the warranty card included with your product or visit the official UNHO website.

If you encounter any issues, require replacement parts, or have questions not addressed in this manual, please contact UNHO customer support. Have your model number (LBSU-Z1618) and purchase date ready when contacting support.

UNHO Customer Service: [Visit UNHO Store on Amazon](#)