

Manuals+

[Q & A](#) | [Deep Search](#) | [Upload](#)

[manuals.plus](#) /

- › [Uckazy](#) /
- › [Uckazy 12.3 Inch Car Stereo for BMW X3 F25 \(2010-2013\) CIC System Instruction Manual](#)

Uckazy F25CIC-LIN

Uckazy 12.3 Inch Car Stereo Instruction Manual

Model: F25CIC-LIN for BMW X3 F25 (2010-2013) CIC System

INTRODUCTION

This manual provides detailed instructions for the installation, operation, and maintenance of your Uckazy 12.3 Inch Car Stereo. This device is specifically designed to upgrade the multimedia capabilities of BMW X3 F25 models manufactured between 2010 and 2013, equipped with the original CIC system. It integrates advanced features such as wireless Apple CarPlay, wireless Android Auto, and a high-resolution touch screen while retaining the original vehicle functions.

COMPATIBILITY

This car stereo is compatible with BMW X3 F25 models from 2010-2013 that feature the original CIC system. Before installation, verify your vehicle's system type. The device is not compatible with NBT systems.

Compatible Models & Year

For BMW X3 F25 2010-2013

Note : Before you purchase , please make sure your car system is CIC system firstly .If you can't make sure by yourself, you can get help from us.

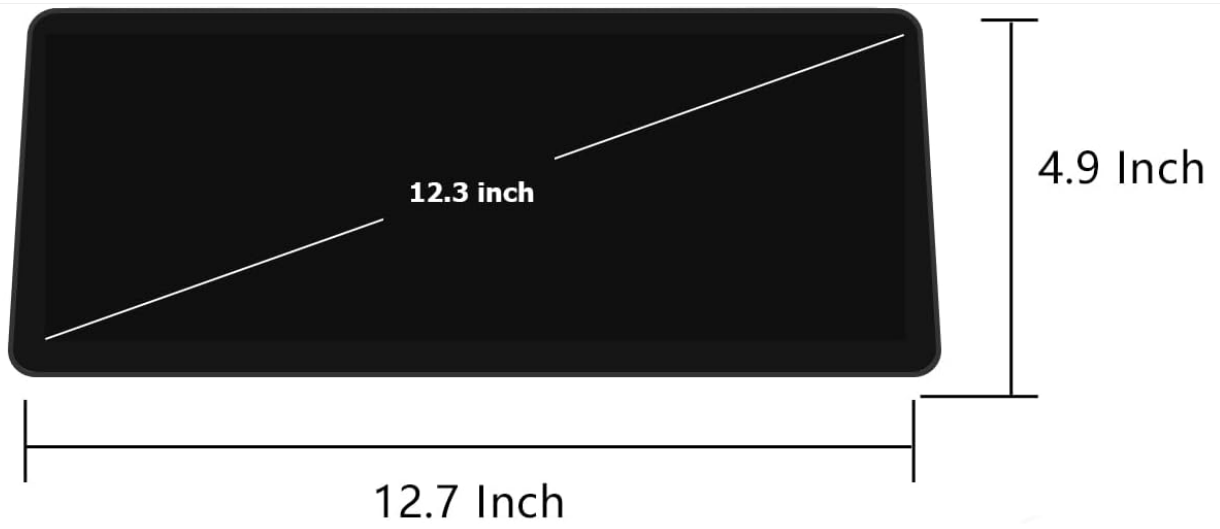


Figure 1: Compatible Models & Year. This image illustrates the visual difference between a compatible CIC system (4-pin LVDS port) and an incompatible NBT system (6-pin LVDS port) for BMW X3 F25 (2010-2013).

WHAT'S IN THE BOX

Please ensure all components are present before beginning installation:

- Plug and play power Cable
- Ultra narrow 12.3" in-cell display screen
- USB/AUX/RCA Cable
- Frame
- Installation tools and touch pen



USB cable



AUX cable



Power cable



Install tools
Touch pen

Figure 2: Package Contents. This image displays the main components included in the box: the 12.3-inch screen, USB cable, AUX cable, power cable, and installation tools with a touch pen.

SETUP AND INSTALLATION

The Uckazy car stereo is designed for plug-and-play installation, retaining most original vehicle functions. However, careful attention to wiring and settings is crucial for optimal performance.

1. Wiring Connections

Refer to the provided wiring diagram and ensure all cables are securely connected. Pay close attention to the fiber optic and power cable connections.



Figure 3: Wire Definition and Linking. This diagram illustrates how to connect the various cables, including power, USB, AUX, and fiber optic, to the car machine system.

Fiber Optic Cable Transfer

If your original car CD player uses fiber optic cables, you must transfer them to the new system's harness to ensure proper audio functionality.

Video 1: How to Transfer Fiber Optic Cables. This video demonstrates the process of transferring fiber optic cables from the original car CD player to the Linux system harness, which is crucial for resolving potential 'no sound' issues.

Power Cable Connection

Connect the provided power cable to the original car's power interface. Ensure a secure connection.

Video 2: Power Cable Connection. This video shows how to properly connect the power cable to the vehicle's existing wiring harness.

USB Connection for Wired CarPlay/Android Auto

For wired CarPlay or Android Auto functionality, use USB IN 1. USB IN 2 is for read storage links.

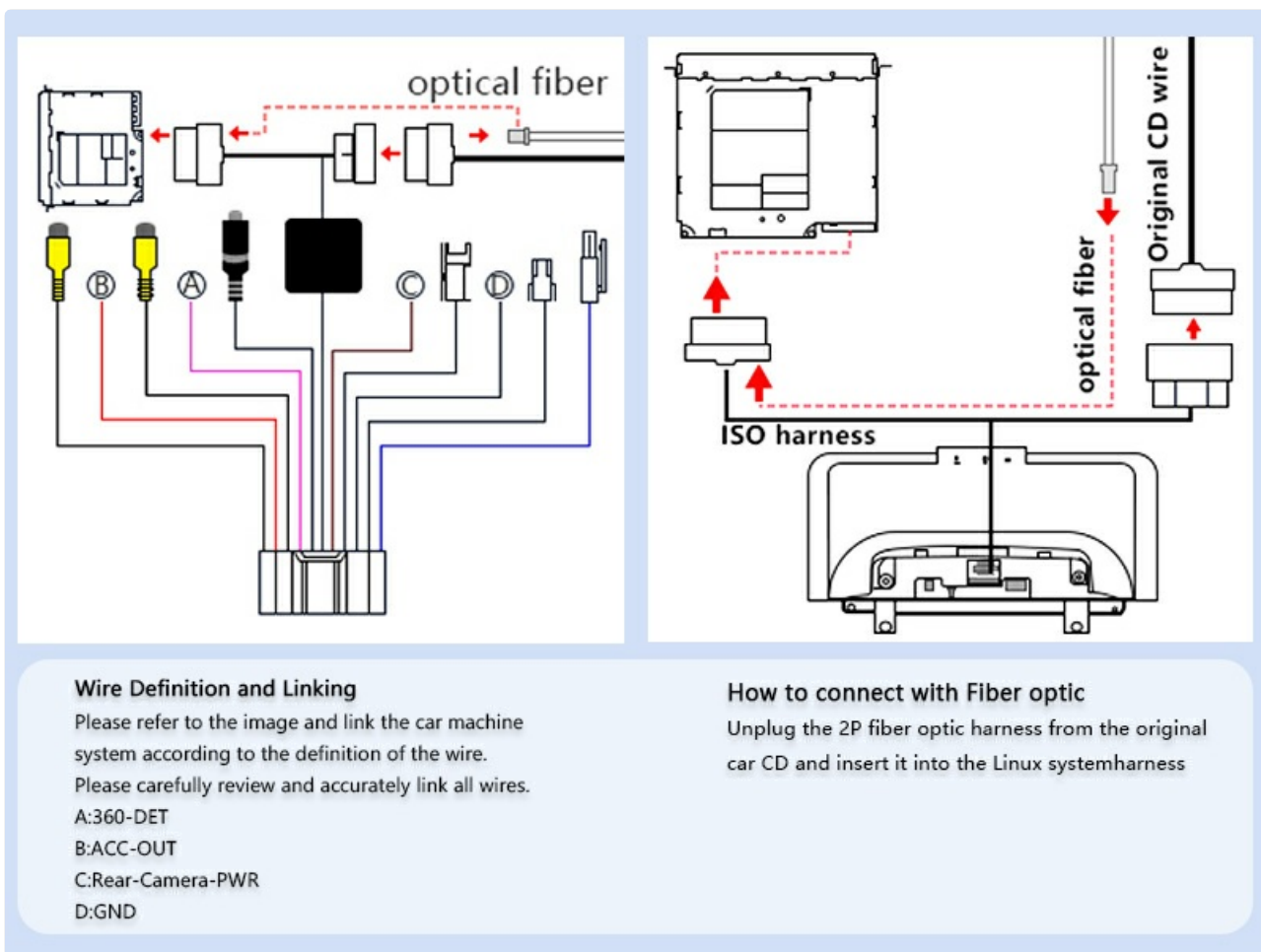


Figure 4: USB Connection for CarPlay/Android Auto. This image clarifies which USB port (USB IN 1) should be used for connecting wired CarPlay or Android Auto.

2. Initial System Settings

AUX Audio Setup

To ensure audio output from the new system, the original AUX input must be enabled and configured.

1. Plug into the stock AUX port (located in the manual gear position or passenger side storage box).
2. Go to **Setup > Car Settings > Auto Switch to AUX**.
3. Select your head unit type (Harman or Alpine).
4. In the original car system, go to **Main menu > Multimedia > External devices**.
5. Long press button '8' until you hear a tone, then release. This activates the AUX input for the new system's sound.

Automatic switch to AUX



Refer to image setup> car settings>auto switch to aux>select harman or alpine .

Manual AUX Setting Method



1: Go to "Main menu" and select "Multimedia"



2: Then select "External devices"



3: We long press the number key "8", when we hear the tone ringing, we are set!



4: Press 8 every time before entering the new system, You'll get the carPlay sound.

Figure 5: AUX Setup. This image shows the location of the AUX port and the menu path to configure the 'Auto Switch to AUX' setting for audio output.

Screen Resolution Settings

To ensure correct display of original car information, set the OEM resolution in the system settings.

1. Go to **Setup > Car Settings > Original Car's Screen Resolution**.
2. Select the correct resolution for your OEM display. If unsure, try each option until the display is correct.

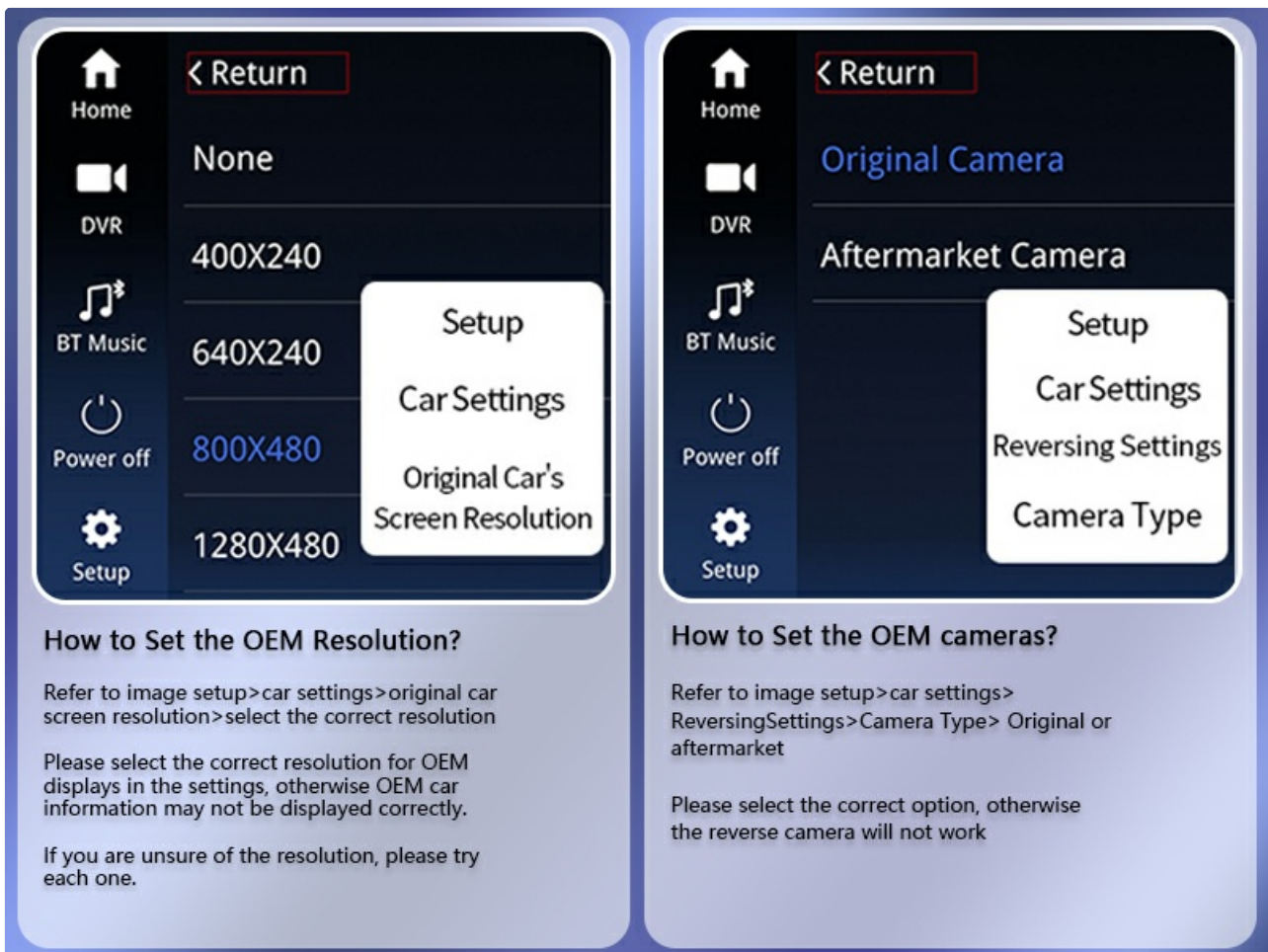


Figure 6: OEM Resolution Settings. This image displays the menu for adjusting the original car's screen resolution to ensure proper display of OEM information.

Camera Settings

Configure camera settings for proper reverse camera functionality.

1. Go to **Setup > Car Settings > Reversing Settings > Camera Type**.
2. Select **Original Camera** or **Aftermarket Camera** based on your setup. Incorrect selection will prevent the reverse camera from working.

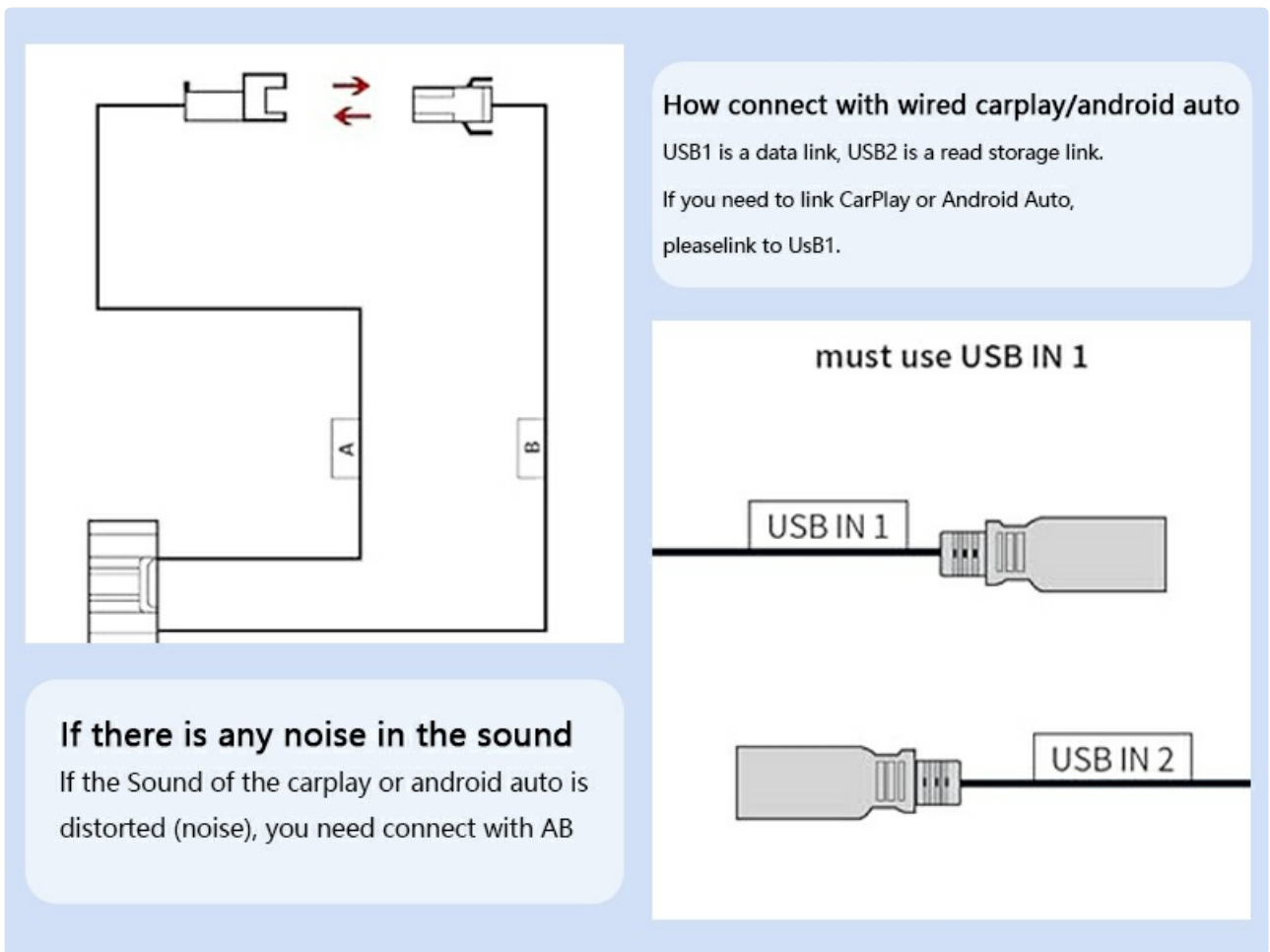


Figure 7: Camera Type Settings. This image shows the menu for selecting the camera type (original or aftermarket) to ensure correct reverse camera operation.

OPERATING INSTRUCTIONS

Your Uckazy car stereo offers a seamless integration of a Linux-based system with your original BMW CIC system.

1. Dual System Operation

The device supports one-click switching between the new Linux system and the original car system, allowing you to access all original functions.

✔ Uckazy Product	Other Product
<p>Support Automatic Light-sensitive Automatic light sensitivity adjusts the day and night mode to your car's original headlights.</p>	<p>Don't Support Automatic Light-sensitive Other products do not automatically adjust the day and night mode, which is not conducive to driving safety.</p>

Figure 8: One-Click Switching Between Dual Systems. This image demonstrates the ease of switching between the original BMW interface and the new Linux system.

Video 3: Product Display Operating System. This video provides an overview of the system's user interface, demonstrating navigation and various settings within the Linux environment and showing the switch to the original car system.

2. Wireless CarPlay and Android Auto

Connect your smartphone wirelessly to access navigation, phone contacts, messages, music, and more via voice assistants like Siri or Google Voice Assistant.

1. Ensure the necessary wires are connected on the machine before attempting wireless connection.
2. Turn on Bluetooth on your smartphone and the car stereo.
3. Find the car stereo's Bluetooth connection (e.g., 'CAR-BT-78C0') on your phone and pair.
4. Open Siri voice assistant on your iPhone for CarPlay.
5. Allow all permissions for the connection to establish.



Figure 9: Wireless CarPlay and Android Auto. This image demonstrates the wireless connectivity features, showing both CarPlay and Android Auto interfaces on the screen.

Video 4: Product Overview for Linux System 12.3 inch Screen. This video provides a detailed overview of the Linux system's features, including wireless CarPlay connection, navigation, music playback, and messaging.

3. Audio Settings (DSP)

The built-in Digital Signal Processor (DSP) with 16 EQ segments allows for detailed sound customization. Adjust the overall sound quality and speaker positioning to your preference.

4. Display Features

The 12.3-inch IN-CELL screen features full lamination technology for enhanced clarity and reduced reflection. It also includes automatic light sensitivity, adjusting day and night modes based on your car's original headlights.

Day And Night Mode

Automatic light sensitivity adjusts the day and night mode according to your car's original headlights



Figure 10: Day and Night Mode. This image demonstrates the automatic light sensitivity feature, showing how the display adjusts between bright day mode and dimmed night mode.

5. Retained Original Features

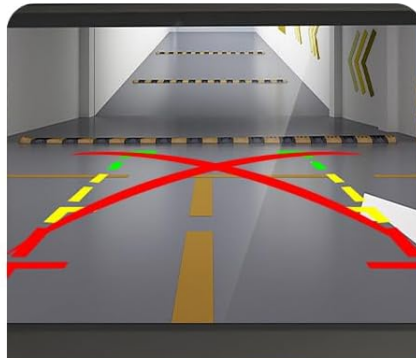
The upgraded system retains all original car functions, including:

- Original car radio and amplifier function
- Factory steering wheel controls
- Original iDrive controller (mouse knob)
- Display of speed, fuel level, oil pressure, safety warnings
- Original reverse camera compatibility
- Original Bluetooth functionality

Support Original OEM System



Support Steering Wheel Control



Compatible OEM Reversing camera parking radar



Support iDrive control



Sound From the Original Car Stereo



Keep the Original CD



Keep the Original Car System

Figure 11: Support Original OEM System. This image highlights the various original BMW features that are fully supported and integrated with the new car stereo system.

MAINTENANCE

To ensure the longevity and optimal performance of your Uckazy car stereo:

- Regularly clean the screen with a soft, lint-free cloth. Avoid abrasive cleaners.
- Keep the unit free from excessive dust and moisture.
- Avoid exposing the screen to direct sunlight for prolonged periods when the vehicle is parked.

TROUBLESHOOTING

If you encounter issues with your Uckazy car stereo, refer to the following common solutions:

- **No Sound Output:** Ensure the fiber optic cables from the original car CD player are correctly transferred to the new system's harness. Also, verify the AUX audio setup is completed as described in the [Setup section](#).
- **Original Car Information Not Displayed Correctly:** Adjust the **Original Car's Screen Resolution** in the system settings ([Setup section](#)).
- **Reverse Camera Not Working:** Check the **Camera Type** setting under **Reversing Settings** in the system menu

([Setup section](#)) and ensure it matches your camera type (Original or Aftermarket).

- **Distorted Sound (Noise) from CarPlay/Android Auto:** If you experience noise, ensure the 'AB' connection is properly made as indicated in the wiring diagrams.
- **General Installation or Operation Issues:** If you are unsure about installation or encounter problems not covered here, please contact customer support for assistance.

SPECIFICATIONS

Model Number	F25CIC-LIN
Screen Size	12.3 inches
Resolution	1920 x 720
Display Technology	IN-CELL, Full Lamination, IPS Screen HD
Operating System	Linux
Connectivity	Bluetooth, WI-FI, Wireless/Wired Apple CarPlay, Wireless/Wired Android Auto, Wireless Mirrorlink
Audio Features	Built-in DSP with 16 EQ segments, Stereo Audio Output, 5.1 Surround Sound Channel Configuration
Video Encoding	H.264, H.265/HEVC
Special Feature	Touchscreen, Automatic Light Sensitivity
Compatible Devices	Smartphone
Item Weight	3.61 pounds
Package Dimensions	14.96 x 7.24 x 6.73 inches

WARRANTY AND SUPPORT

Warranty Information

Your purchase includes a 30-day refund/replacement policy. Additionally, protection plans are available for extended coverage:

- 2-Year Protection Plan
- 3-Year Protection Plan
- Complete Protect (monthly billing)

Please refer to your purchase documentation for specific terms and conditions of these plans.

Customer Support

For any technical assistance, installation queries, or troubleshooting not covered in this manual, please contact the seller, Uckay Factory Outlet, directly. They can provide specialized support to resolve your issues.

You can typically find a link to 'Ask a question' on the seller's page where you purchased the product. For direct access to the Uckazy store, visit: [Uckazy Store](#)

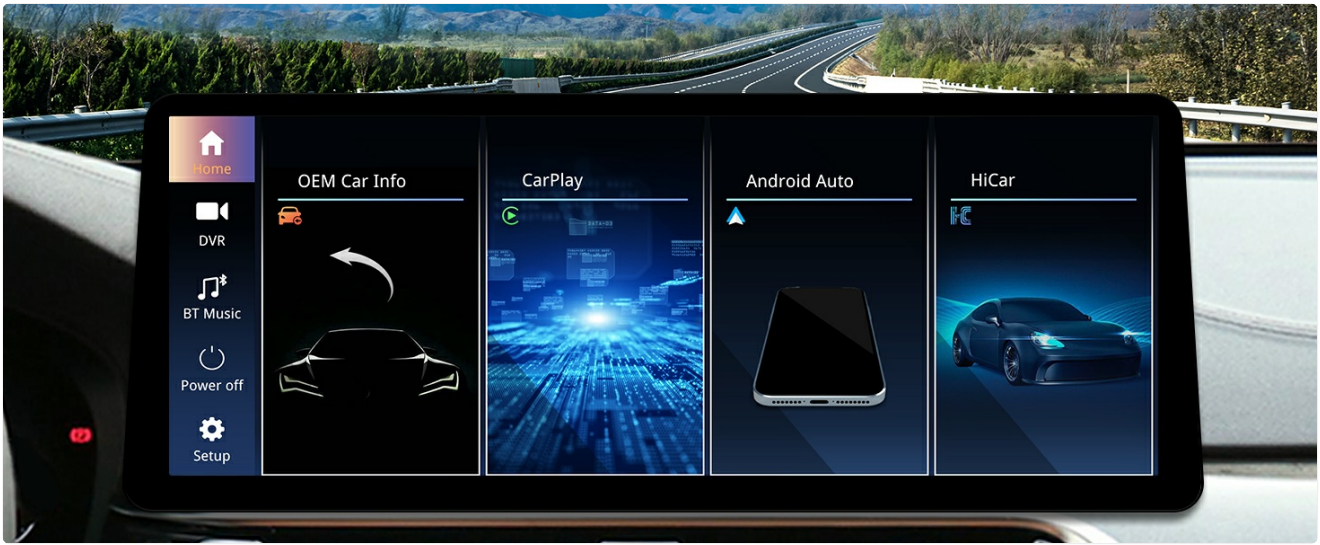


Figure 12: Technical Support Information. This image emphasizes contacting the seller for support regarding installation, sound, or display issues.