

[Manuals.plus](#) /

> [vidaXL](#) /

> vidaXL Kitchen Base Cabinet (1 Door, 1 Drawer) Instruction Manual

vidaXL 1x bottom cabinet (1 door 1 drawer)

vidaXL Kitchen Base Cabinet (1 Door, 1 Drawer) Instruction Manual

Model: 1x bottom cabinet (1 door 1 drawer) | Dimensions: 50 x 46 x 81.5 cm



1. INTRODUCTION

Thank you for choosing the vidaXL Kitchen Base Cabinet. This manual provides essential information for the safe assembly, operation, and maintenance of your new cabinet. Please read these instructions carefully before beginning assembly or use to ensure proper installation and to maximize the lifespan of your product. Keep this manual for future reference.

This kitchen base cabinet is designed to offer functional storage and a minimalist aesthetic to your kitchen space. It features a single door and a single drawer, providing versatile storage options for various kitchen items.



Image 1.1: Front view of the assembled vidaXL Kitchen Base Cabinet.

2. SAFETY INFORMATION

- **Read all instructions:** Ensure you understand all assembly steps and safety warnings before proceeding.
- **Two-person assembly:** Assembly is recommended for two people due to the size and weight of components.
- **Use appropriate tools:** Ensure you have the correct tools for assembly.
- **Handle with care:** Some components may have sharp edges. Handle all parts carefully to prevent injury.
- **Secure installation:** Ensure the cabinet is placed on a level, stable surface. If necessary, use wall anchoring

devices (not included) to prevent tipping, especially in households with children or pets.

- **Weight limit:** Do not exceed the maximum weight capacity of 110.2 lbs (50 kg) for the cabinet.
- **Proposition 65 Warning:** This product may contain chemicals known to the State of California to cause cancer and birth defects or other reproductive harm.

3. PACKAGE CONTENTS

Before starting assembly, verify that all parts and hardware are present and undamaged. Refer to the included parts list (usually found in the packaging) to cross-reference all components. If any parts are missing or damaged, do not proceed with assembly and contact customer support.

- Cabinet panels (sides, top, bottom, back)
- Drawer components
- Door panel
- Adjustable feet
- Handles
- Hinges and drawer slides
- Assembly hardware (screws, dowels, cam locks, etc.)

4. SETUP AND ASSEMBLY

4.1 Tools Required

- Phillips head screwdriver
- Hammer (for dowels)
- Measuring tape
- Level

4.2 Assembly Steps

Follow the step-by-step diagrams provided in the separate assembly instructions included with your product. The general sequence is as follows:

1. **Prepare the workspace:** Clear a spacious, clean, and flat area for assembly. Lay down a blanket or cardboard to protect the cabinet parts and your floor.
2. **Assemble the main frame:** Connect the side panels to the bottom and top panels using the provided hardware. Ensure all connections are secure.
3. **Install the back panel:** Secure the back panel to the main frame.
4. **Attach adjustable feet:** Screw the adjustable feet into the designated holes on the bottom of the cabinet. These feet allow for leveling on uneven surfaces.
5. **Assemble the drawer:** Follow the instructions to assemble the drawer box and attach the drawer slides.
6. **Install drawer into cabinet:** Carefully slide the assembled drawer into the cabinet frame.
7. **Attach door hinges:** Mount the hinges to the door panel and then to the cabinet frame.
8. **Install handles:** Attach the handles to the drawer front and door panel.
9. **Final adjustments:** Once assembled, place the cabinet in its desired location. Use a level to ensure it is perfectly balanced by adjusting the feet. Adjust door hinges if necessary for proper alignment.



Image 4.1: Rear view of the cabinet, illustrating the back panel and adjustable feet.



Image 4.2: Detail of the height-adjustable foot.

5. OPERATING INSTRUCTIONS

5.1 Storage Access

The cabinet features one top drawer and one lower compartment behind a door. Use the handles to open and close the drawer and door smoothly. The spacious interior is suitable for storing various kitchen essentials, from utensils to pots and pans.



Image 5.1: Cabinet interior with door and drawer open, showing storage capacity.

5.2 Adjusting Stability

The cabinet is equipped with manual height-adjustable feet. If the cabinet feels wobbly or uneven after placement, gently lift the cabinet slightly and rotate the feet clockwise to raise or counter-clockwise to lower until the cabinet is stable and level. Use a spirit level to confirm stability.

6. MAINTENANCE

To ensure the longevity and appearance of your vidaXL Kitchen Base Cabinet, follow these maintenance guidelines:

- **Cleaning:** Wipe the surfaces with a soft, damp cloth. For stubborn marks, use a mild, non-abrasive cleaner. Avoid harsh chemicals or abrasive materials that could damage the engineered wood finish.
- **Spills:** Clean up spills immediately to prevent moisture damage to the engineered wood.
- **Hardware:** Periodically check all screws and fittings to ensure they remain tight. Tighten if necessary to maintain structural integrity.

- **Avoid excessive weight:** Do not overload the cabinet or drawer beyond the recommended weight capacity.
- **Environmental conditions:** Avoid placing the cabinet in direct sunlight or near heat sources, as this can cause discoloration or warping over time. Maintain a stable room temperature and humidity.

7. TROUBLESHOOTING

- **Cabinet is wobbly:** Adjust the height of the individual feet until the cabinet is stable and level on the floor. Use a spirit level to verify.
- **Drawer does not slide smoothly:** Check if the drawer slides are correctly installed and aligned. Ensure no objects are obstructing the slides. Lubricate slides with a silicone-based spray if needed.
- **Door does not close properly or is misaligned:** Adjust the hinges. Most cabinet hinges allow for minor adjustments in three directions (up/down, left/right, in/out) using a screwdriver. Refer to the hinge manufacturer's instructions if specific adjustments are unclear.
- **Missing parts or damaged components:** Do not attempt to force assembly. Contact vidaXL customer support or your retailer for replacement parts.

8. SPECIFICATIONS

Feature	Detail
Brand	vidaXL
Model Number	1x bottom cabinet (1 door 1 drawer)
Color	Black
Material	Engineered wood
Overall Dimensions (W x L x H)	50 x 46 x 81.5 cm (19.7 x 18.1 x 32.1 inches)
Item Weight	44.6 lbs (20.23 kg)
Maximum Weight Capacity	110.2 lbs (50 kg)
Number of Doors	1
Number of Drawers	1
Mounting Type	Floor Mount
Assembly Required	Yes (Recommended 2 people)
SKU	853478
EAN	8721158418241

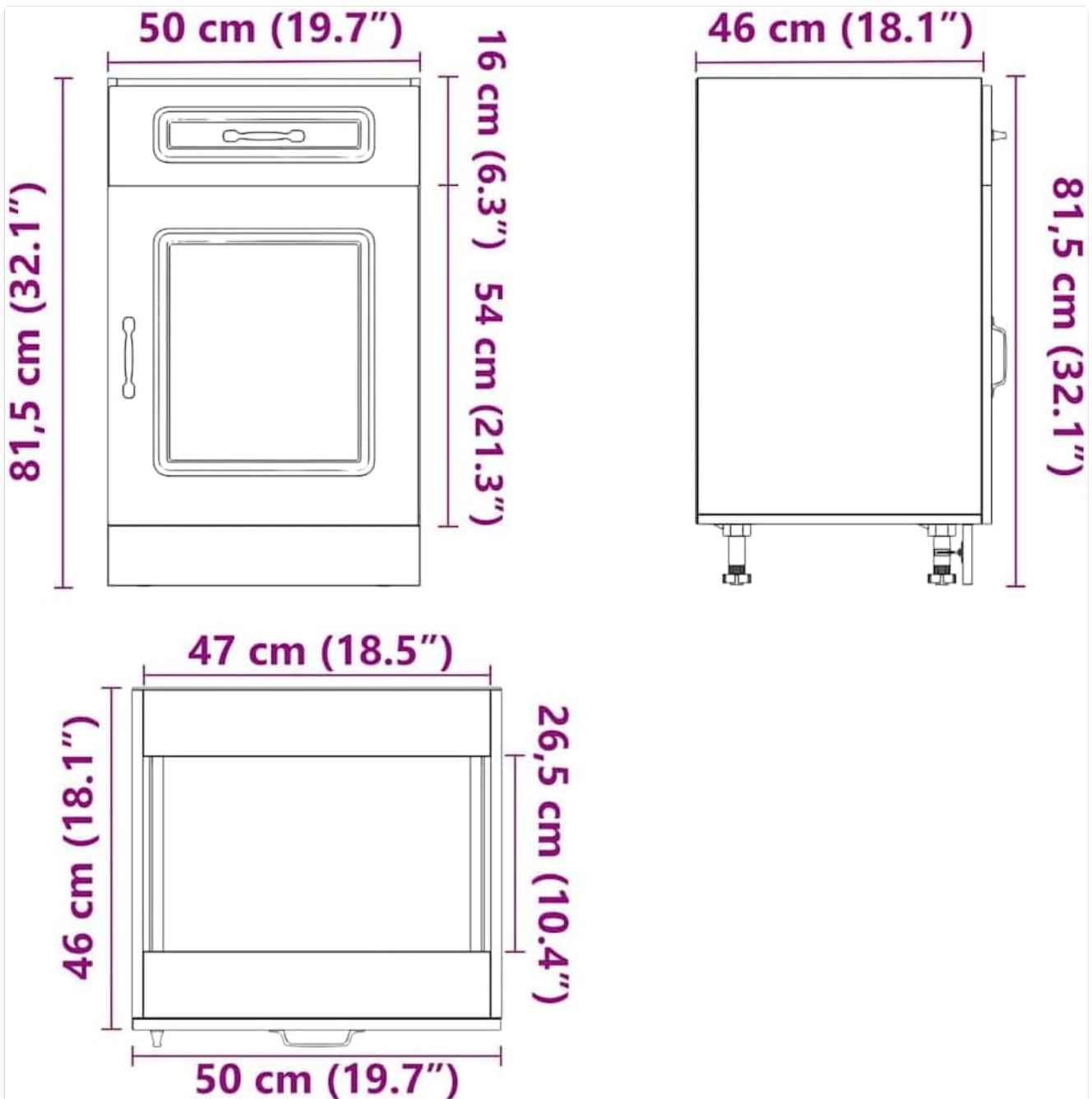


Image 8.1: Dimensional diagram of the cabinet.

9. WARRANTY AND SUPPORT

For specific warranty information, please refer to the terms and conditions provided by your retailer or contact vidaXL customer support directly. Typically, products are covered against manufacturing defects for a specified period.

If you encounter any issues or require assistance with your vidaXL Kitchen Base Cabinet, please contact the retailer from whom you purchased the product. For purchases made on Amazon, a 30-day return policy is generally available for eligible items. Always retain your proof of purchase for warranty claims or support inquiries.

For further assistance, you may visit the official vidaXL website or contact their customer service department.

