

[Manuals.plus](#) /

> [ACLDYYV](#) /

> ACLDOYYV XK813 Plastic Door Catch Closer Ball Push Latch Instruction Manual

ACLDYYV XK813

Instruction Manual

ACLDYYV XK813 PLASTIC DOOR CATCH CLOSER BALL PUSH LATCH

Introduction

This manual provides detailed instructions for the installation, operation, and maintenance of the ACLDOYYV XK813 Plastic Door Catch Closer Ball Push Latch. This product is designed to securely hold cabinet doors or other light doors in a closed position, allowing for easy opening with a simple push.

Product Components

The XK813 Plastic Door Catch consists of two main parts: the latch mechanism and the strike plate.



Image: The two main components of the XK813 door catch, the latch mechanism and its corresponding strike plate.

Setup and Installation

Follow these steps to properly install the XK813 Plastic Door Catch:

1. **Determine Mounting Location:** Identify the desired position for the latch on the cabinet frame and the strike plate on the door. Ensure proper alignment for smooth operation.
2. **Mount the Latch Mechanism:** Position the main latch mechanism on the cabinet frame. Mark the screw holes. Using appropriate screws (not included), securely fasten the latch mechanism to the frame.
3. **Mount the Strike Plate:** Close the door gently to align the strike plate with the installed latch mechanism. Mark the screw holes on the door. Open the door and securely fasten the strike plate to the door using appropriate screws. Ensure the strike plate is positioned so that the ball mechanism of the latch engages correctly when the door is closed.
4. **Test Operation:** Gently close and open the door several times to ensure the latch engages and releases smoothly. Adjust the position of the strike plate slightly if necessary to achieve optimal performance.



Image: The XK813 door catch with the latch mechanism and strike plate in an engaged, closed position.

Operating Instructions

The XK813 Plastic Door Catch operates on a simple push-to-close and push-to-open mechanism:

- **To Close:** Gently push the door until the strike plate engages with the ball mechanism of the latch. The door will be held securely in the closed position.
- **To Open:** Apply a gentle push to the door. The ball mechanism will release the strike plate, allowing the door to open.

Maintenance

The XK813 Plastic Door Catch requires minimal maintenance:

- **Cleaning:** If dust or debris accumulates, wipe the latch and strike plate with a soft, damp cloth. Avoid using harsh chemicals or abrasive cleaners.
- **Inspection:** Periodically check the screws for tightness. If the latch mechanism or strike plate becomes loose, re-tighten the screws.

Troubleshooting

- **Door does not latch securely:**
 - Check the alignment of the latch mechanism and the strike plate. They may need to be

adjusted slightly to ensure proper engagement.

- Ensure mounting screws are tight and the components are not loose.

- **Door is difficult to open or close:**

- Verify that the latch and strike plate are not misaligned, causing friction.
- Ensure there is no obstruction preventing smooth movement.

Specifications

Detailed specifications for the ACLDOYYV XK813 Plastic Door Catch:

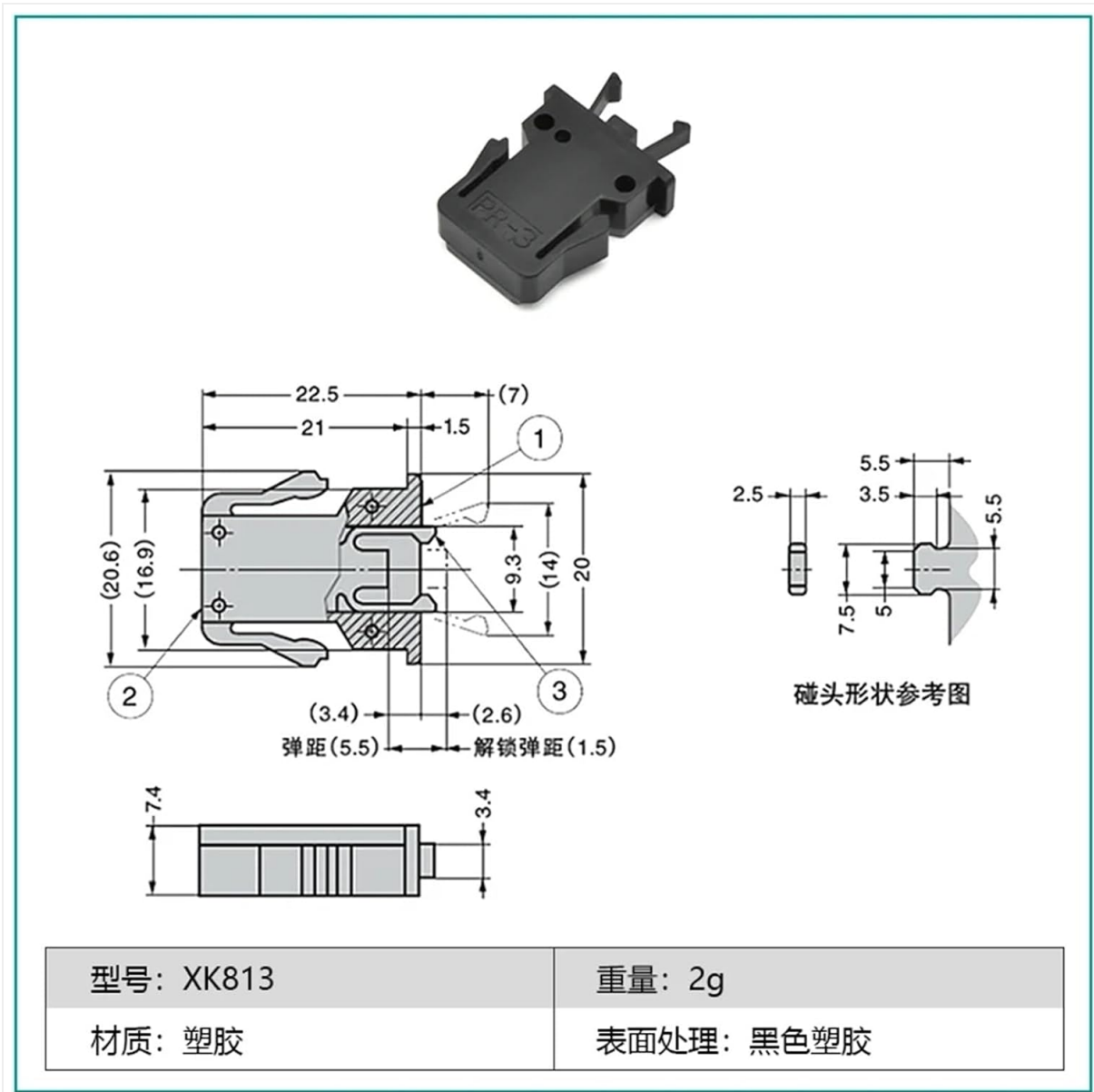


Image: Technical drawing showing detailed dimensions and specifications of the XK813 door catch.

Specification	Detail
Model Number	XK813
Manufacturer	ACLDOYYV
Material	Plastic

Specification	Detail
Surface Treatment	Black Plastic
Item Weight	1.76 ounces (approx. 2g per unit)
Product Dimensions	1.18 x 0.79 x 0.39 inches (approx. 30 x 20 x 10 mm)
Color	XK813 (Black)
Item Package Quantity	1

Warranty Information

For specific warranty details regarding your ACLDOYYV XK813 Plastic Door Catch, please refer to the product packaging or contact the seller directly. Warranty terms may vary based on the purchase date and retailer.

Customer Support

If you encounter any issues or have questions not covered in this manual, please contact the seller or manufacturer for assistance. Provide your product model number (XK813) and purchase details when seeking support.