

## Aipsun HW617

# Aipsun 24W Outdoor Wall Light HW617 User Manual

Model: HW617 | Brand: Aipsun

## 1. INTRODUCTION

---

Thank you for choosing the Aipsun 24W Outdoor Wall Light. This manual provides essential information for the safe installation, operation, and maintenance of your new light fixture. This modern cubic design wall light features a 24W LED panel with 4500K neutral white light, a 350-degree rotatable panel for adjustable illumination, and an IP65 waterproof rating, making it suitable for various indoor and outdoor applications.

## 2. SAFETY INFORMATION

---

- **Electrical Safety:** Always disconnect power at the main circuit breaker before installation, maintenance, or cleaning.
- **Professional Installation:** For your safety, installation should be performed by a qualified electrician.
- **Voltage:** Ensure the power supply voltage matches the fixture's requirements (220 Volts).
- **Grounding:** This fixture must be properly grounded to prevent electrical shock.
- **Handling:** Handle the light fixture with care to avoid damage to components.
- **Operating Temperature:** Do not operate the fixture in temperatures outside its specified range.

## 3. PACKAGE CONTENTS

---

Verify that all components are present before beginning installation:

- Aipsun 24W Outdoor Wall Light (Anthracite 4500K) x 1
- Screw Kit x 1
- Installation Instructions x 1

## 4. SPECIFICATIONS

Feature	Specification
Model Number	HW617
Power Consumption	24 Watts
Light Color	Neutral White 4500K
Luminous Efficiency	1200 lm
Voltage	220 Volts
Waterproof Rating	IP65
Material	Aluminum, Acrylic, Rhombic Lens
Dimensions (L x W x H)	21.5 x 9 x 11.5 cm
Weight	1.19 Kilograms
LED Panel Rotation	350 degrees vertical
Mounting Type	Wall Mount

For detailed energy information, please refer to the energy label below or visit the EPREL database:

Scheda informativa del prodotto			
REGOLAMENTO DELEGATO (UE) 2019/2015 DELLA COMMISSIONE per quanto riguarda l'etichettatura energetica delle sorgenti luminose			
Nome e marchio del fornitore: Apium			
Indirizzo del fornitore: GAVIMOSA CONSULTORIA, SOCIEDAD LIMITADA, CASTELLANA 934A, 28046 Madrid, ES			
Identificativo del modello: HW617-4500K			
Tipo di sorgente luminosa:			
Tecnologia d'illuminazione:	LED	Non direzionale o di direzione:	NOL
Tipo di attacco della sorgente luminosa (o altra interfaccia elettrica)	/		
A tensione di rete o non a tensione di rete:	MCS	Sorgente luminosa elettronica (ELS):	Yes
Sorgente luminosa a colori regolabile:	No	Induttore:	-
Sorgente luminosa ad alta luminosità:	No		
Schermata antiriflesso:	Si	Regolabile:	No
<b>Parametri del prodotto</b>			
Parametro	Valore	Parametro	Valore
<b>Parametri generali del prodotto</b>			
Consumo di energia in modo pieno (W <sub>pl</sub> /2300 K), arrotondato in eccesso all'intero più vicino	24	Classe di efficienza energetica	G
Flusso luminoso utile (lm <sub>u</sub> ), indicando se si riferisce al flusso in una sfera (SFP), in un cono angolare (COP) o in un cono stretto (COP)	2 300 in Cono ampio (COP)	Temperatura di colore correlata, arrotondata a 100 K più vicino, oppure intervallo di temperatura e di colore correlata che è possibile impostare, arrotondata a 100 K più vicino	4 500
Potenza in modo acceso (P <sub>pl</sub> ), espressa in W	24,0	Potenza in modo standby (P <sub>sb</sub> ), espressa in W e arrotondata al secondo decimale	0,05
Potenza in modo standby in W (P <sub>sb</sub> ) per le sorgenti luminose comuni, espressa in W e arrotondata al secondo decimale	-	Indice di resa cromatica, arrotondato all'intero più vicino, oppure intervallo di	83
Pagina 114			
<b>Dimensioni</b>			
Altezza	215	valori IRC che è possibile impostare	
Larghezza	90	Distribuzione spettrale di potenza a pieno carico nell'intervallo da 250 nm a 900 nm	
Profondità	115	Vedi immagine nell'ultima pagina	
Dichiarazione di potenza equivalente*			
	-	Se sì, potenza equivalente (W)	-
	-	(Esprimete entrambi che (x, y)	0,440 0,403
<b>Parametri per sorgenti luminose LED e OLED</b>			
Valore dell'indice di resa cromatica (IRC)	8	Fattore di sopravvivenza	1,00
Fattore di mantenimento del flusso luminoso	0,96		
<b>Parametri per sorgenti luminose LED e OLED a tensione di rete</b>			
Fattore di sfarfallio (flicker-free)	0,00	Coerenza dei colori (indice di MacAdam)	8
Dichiarazione che una sorgente luminosa LED può sostituire una sorgente luminosa fluorescente senza differenzia ingegneristica in una determinata potenza	Yes	Se sì, dichiarazione di sostituibilità (W)	-
Matrice dello sfarfallio (flicker-free)	0,0	Matrice dell'effetto stroboscopico (SVM)	0,0
<small>           * Se sì, non applicabile.            ** Se sì, non applicabile.         </small>			
Pagina 114			



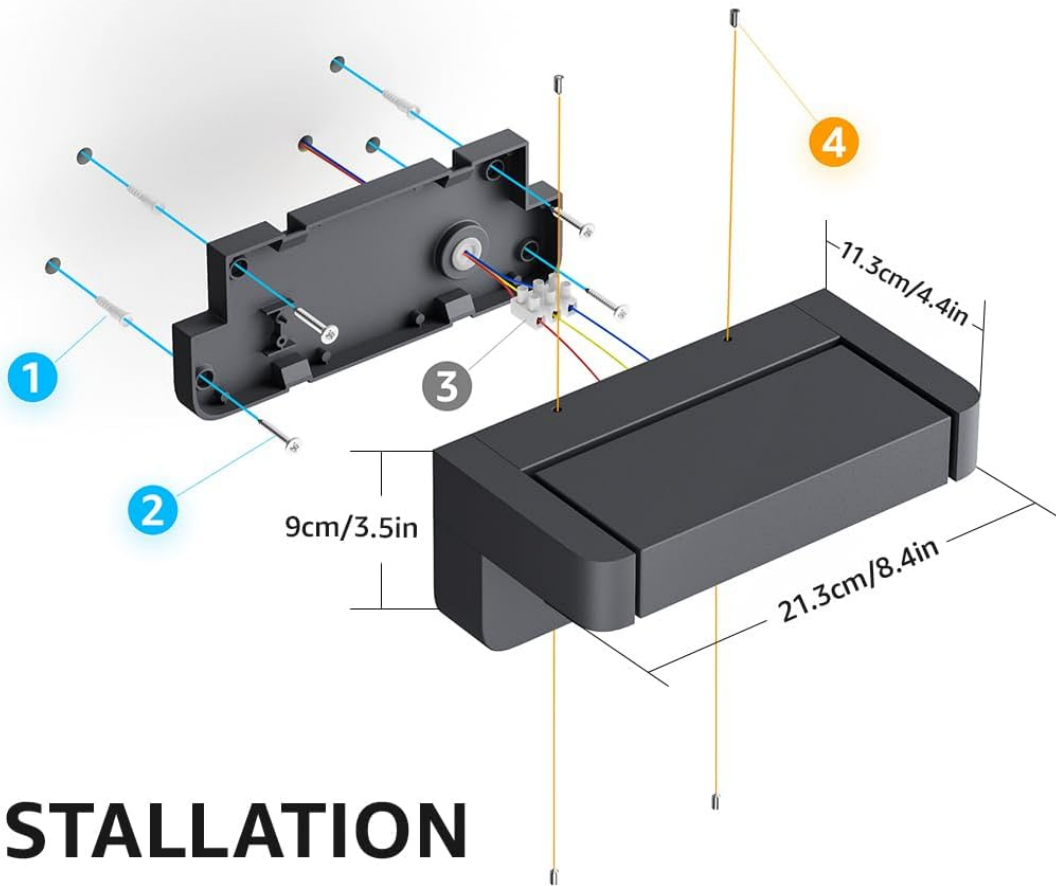
Energy efficiency label for Aipsun HW617-4500K showing Class G and 24 kWh/1000h.

[View Product in EPREL Database](#)

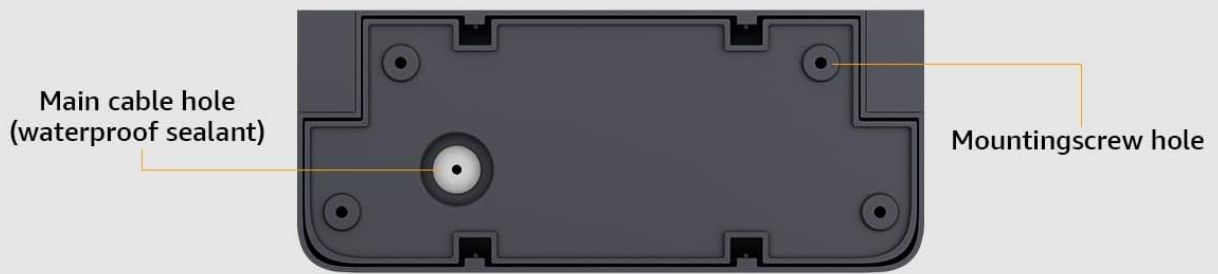
## 5. INSTALLATION

The Aipsun wall light is designed for wall mounting. Follow these general steps for installation. Always consult the included installation instructions and consider professional assistance.

1. **Prepare the Installation Area:** Choose an appropriate installation height based on your specific lighting needs. Ensure the mounting surface is solid and can support the fixture's weight.
2. **Mark Drilling Points:** Use the mounting bracket as a template to mark the drilling points on the wall.
3. **Drill Holes and Insert Anchors:** Drill holes at the marked points and insert appropriate wall anchors (if necessary, depending on wall material).
4. **Mount the Bracket:** Secure the mounting bracket to the wall using the provided screws.
5. **Electrical Connection:** Connect the household wiring to the fixture's terminals (Live, Neutral, Earth) using appropriate connectors. Ensure all connections are secure and insulated.
6. **Attach the Fixture:** Carefully attach the light fixture to the mounting bracket, ensuring it is securely fastened.
7. **Seal (if necessary):** For outdoor installations, apply a waterproof sealant around the fixture's base to prevent water ingress, especially around the main cable hole.



# INSTALLATION



Installation diagram illustrating the mounting process, wiring connections, and product dimensions (21.3cm x 11.3cm x 9cm).



**PC lampshade + LED beads**



**Adjustable angle: 350°**



**Material: Aluminium+Acrylic**



**Waterproof IP65**

Detailed view of the light's internal components, highlighting the PC lampshade, LED beads, 350-degree adjustable angle, aluminum and acrylic construction, and IP65 waterproof wiring.

## 6. OPERATION

The Aipsun 24W Outdoor Wall Light is designed for straightforward operation once installed.

- **Power On/Off:** The light is controlled by your standard wall switch connected to the fixture's power supply.
- **Adjustable LED Panel:** The integrated LED panel can be manually rotated vertically by up to 350 degrees. This allows you to customize the direction of the light output to suit your needs, whether for accent lighting or broader illumination.



Demonstration of the 350-degree rotatable LED panel, allowing for flexible light direction.



The Aipsun 24W Outdoor Wall Light in anthracite, providing neutral white 4500K illumination.

## 7. MAINTENANCE

---

Regular maintenance helps ensure the longevity and optimal performance of your Aipsun wall light.

- **Cleaning:** Regularly clean the surface of the lamp with a soft, damp cloth. Avoid abrasive cleaners or solvents that could damage the finish or lens.
- **Wire Connections:** Periodically check the wire connections to ensure they remain secure and free from corrosion, especially in outdoor environments.
- **IP65 Integrity:** For outdoor use, ensure the IP65 waterproof seal remains intact. If any damage is observed, consult a professional for repair.



 **IP65**  
waterproof

The Aipsun wall light demonstrating its IP65 waterproof rating in an outdoor rainy environment.

## 8. TROUBLESHOOTING

---

If you encounter issues with your Aipsun wall light, refer to the following common troubleshooting steps:

- **Light Not Turning On:**

- Check if the power supply is connected and the circuit breaker is on.
- Ensure the wall switch is in the 'ON' position.
- Verify that all wire connections are secure. If unsure, consult a qualified electrician.

- **Flickering Light:**

- Check for loose wiring connections.
- Ensure the voltage supply is stable and within the specified range.

- **Reduced Brightness:**

- Clean the lampshade and LED panel to remove any dirt or debris.

If problems persist after attempting these steps, contact customer support or a qualified electrician.

## 9. WARRANTY AND SUPPORT

---

For warranty information and customer support, please refer to the documentation provided at the time of purchase or contact Aipsun customer service through your retailer. Keep your purchase receipt as proof of purchase.

© 2026 Aipsun. All rights reserved.

This manual is for informational purposes only. Specifications are subject to change without notice.