

Quoya QL600/AT5810

Quoya QL600/AT5810 Smart Electric Curtain Track 90-Degree Bend Set

INSTRUCTION MANUAL

Introduction

This manual provides detailed instructions for the installation, operation, and maintenance of your Quoya QL600/AT5810 Smart Electric Curtain Track 90-Degree Bend Set. This accessory is designed to enhance your existing QL600/AT5810 Smart Electric Curtain Track system by enabling the creation of smooth, curved L-shaped or boxed-curved track configurations. Please read this manual thoroughly before installation and use to ensure proper functionality and safety.

Note: This bend set is specifically designed for the QL600/AT5810 model and is NOT compatible with the QL500 model.

Package Contents

Verify that all components listed below are included in your package:

- 1x 90-Degree Aluminum Bend
- 1 Set of Curved Carriers
- 4x Belt Clips
- 2x 10cm Track Joiners



Figure 1: Included components of the 90-Degree Bend Set. This image displays the 90-degree aluminum bend, curved carriers, belt clips, and track joiners.

Features

- **Customizable Design:** Enables the creation of L-shaped curtain tracks for corner windows or unique layouts. Two sets can be combined to form a boxed-curved track.
- **Strong and Durable:** Constructed from high-quality aluminum for long-lasting performance and a sleek appearance.
- **Complete Kit:** Includes all necessary accessories for quick and straightforward setup.
- **Smooth Curtain Movement:** Engineered with precision-made accessories to ensure curtains glide effortlessly and quietly around corners.

Setup and Installation

Proper installation is crucial for optimal performance. This bend set integrates with your existing Quoya QL600/AT5810 Smart Electric Curtain Track. Refer to your main QL600/AT5810 manual for general track installation and motor setup.

1. Planning Your Track Layout

Before assembly, plan your desired track configuration. This 90-degree bend allows for L-shaped tracks. For a full boxed-curved track, two bend sets are required.

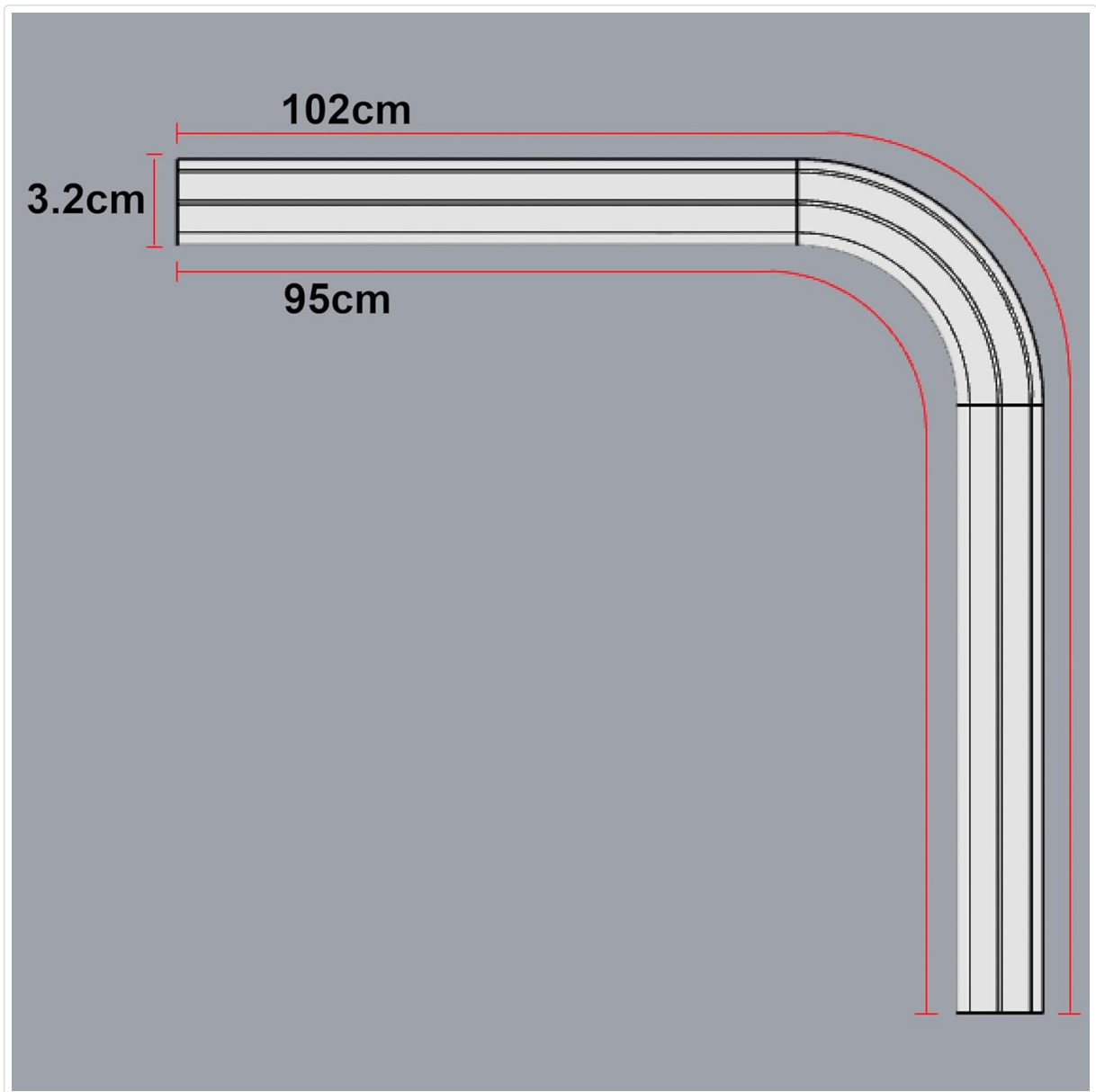


Figure 2: Dimensional drawing of the 90-degree bend set, showing its 102cm and 95cm arm lengths and 3.2cm width. This helps in planning the track layout.

2. Assembling Track Sections and Bend

Use the provided 10cm track joiners to connect the 90-degree aluminum bend to your existing QL600/AT5810 straight track sections. Ensure a tight and secure connection for smooth curtain movement.

For a visual guide on general track assembly and mounting, refer to the following video:

Video 1: QUOYA QL600/AT5810 Smart Electric Curtain Track Installation. This video demonstrates the assembly and mounting process for the main QL600/AT5810 smart electric curtain track, which is compatible with this bend set.

3. Installing Belt, Curved Carriers, and Belt Clips

The 90-degree bend set includes curved carriers and belt clips. These are essential for guiding the curtain belt smoothly around the curve. Follow the instructions below for proper installation:

- Carefully thread the curtain belt through the entire track system, including the curved bend.
- Attach the curved carriers to the belt at appropriate intervals, ensuring they align with the track's curve.
- Secure the belt clips to maintain tension and proper positioning of the belt within the track.

For detailed instructions on belt and carrier installation, refer to the following video:

Video 2: Motorized Curtain Track Assembly. This video illustrates the general assembly process for a motorized curtain track, including how to install the belt and carriers, which is applicable to the Quoya QL600/AT5810 system with the bend set.

Operation

Once the 90-degree bend set is correctly installed and integrated with your Quoya QL600/AT5810 Smart Electric Curtain Track, the operation remains consistent with the main system. Curtains will smoothly traverse the curved sections.

- **Remote Control:** Use the dedicated remote control (sold separately with the main track system) to open, close, or pause your curtains.
- **Smartphone App:** Control your curtains via the Quoya smartphone application, allowing for scheduling, voice control integration (e.g., Alexa, Google Assistant), and remote operation.
- **Voice Control:** Integrate with smart home assistants like Amazon Alexa or Google Assistant for hands-free control.

Maintenance

Regular maintenance ensures the longevity and smooth operation of your smart electric curtain track system, including the 90-degree bend set.

- **Cleaning:** Wipe the aluminum track and plastic components with a soft, dry cloth. Avoid abrasive cleaners or solvents.
- **Inspection:** Periodically check the track for any obstructions, debris, or signs of wear on the belt and carriers. Ensure all connections remain secure.
- **Lubrication:** No special lubrication is typically required for the track or carriers. If you notice any stiffness, consult the main QL600/AT5810 manual or Quoya support.

Troubleshooting

If you encounter issues with your 90-degree bend set or the overall smart electric curtain track system, consider the following common troubleshooting steps:

- **Curtains not moving smoothly:** Check the track for any physical obstructions. Ensure the belt is properly tensioned and the carriers are correctly seated within the track. Verify that the track joiners are securely fastened.
- **Noise during operation:** Inspect the track and carriers for any debris or misalignment. Ensure the belt is not rubbing against any part of the track.
- **System not responding:** Confirm that the main QL600/AT5810 track system is powered on and connected to your smart home network. Check the remote control batteries.

For further assistance, refer to the comprehensive troubleshooting section in your main QL600/AT5810 Smart Electric Curtain Track manual or contact Quoya customer support.

Specifications

Brand	Quoya
Model Name	QL600/AT5810 (Bend Set)

Color	White
Material	Aluminum
Product Dimensions	5"L x 5"W (approximate for the bend unit)
Item Weight	0.5 Kilograms (1.1 pounds)
Included Components	1x 90-Degree Aluminum Bend, 1 Set of Curved Carriers, 4x Belt Clips, 2x 10cm Track Joiners
Compatibility	Quoya QL600/AT5810 Smart Electric Curtain Track (Not compatible with QL500)

Important Safety Information

For safe installation and use, always follow the manufacturer's instructions. If necessary, consult with a qualified electrician for any electrical connections related to the main smart track system.

- Ensure all components are securely fastened to prevent accidental detachment.
- Keep hands and loose clothing clear of moving parts during operation.
- Do not attempt to modify the product in any way not described in this manual.
- Keep out of reach of children and pets.

Warranty and Support

This Quoya product is covered by the standard manufacturer's warranty. For specific warranty terms, registration, or technical support, please refer to the documentation included with your main Quoya QL600/AT5810 Smart Electric Curtain Track system or visit the official Quoya website. Please retain your proof of purchase for warranty claims.