



Manuals.plus /

› LinkBest /

› E99 Max Drone User Manual

LinkBest E99 MAX Drone

E99 Max Drone User Manual

Model: E99 MAX Drone | Brand: LinkBest

INTRODUCTION

This manual provides essential information for the safe operation and maintenance of your E99 Max Drone. Please read it thoroughly before first use to ensure proper functionality and to prevent damage.

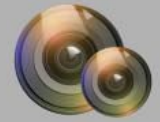
The E99 Max Drone features dual cameras, a brushless motor, optical flow positioning, and intelligent following capabilities, designed for both indoor and outdoor use. It is a foldable, remote-controlled quadcopter suitable for beginners.

WHAT'S IN THE BOX

Verify that all components are present in your package:

- Drone Unit
- Remote Control
- Rechargeable Lithium Battery (Dual Batteries variant includes two)
- Carrying Case
- User Manual (this document)
- Spare Blades
- Screwdriver
- USB Charging Cable

Intelligent aerial photography drone



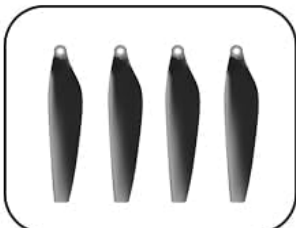
Storage bag



Remote control



instruction



Spare blade



screwdriver



USB cable



Packing box



battery *2

Image: All components included in the E99 Max Drone package, laid out for inspection.

SETUP

1. Unfolding the Drone

The E99 Max Drone features a foldable design for portability. Gently unfold the arms of the drone until they click into place. Ensure all arms are fully extended before operation.

your browser does not support the video tag

Video: Demonstration of unfolding the E99 Max Drone from its compact, folded state to its flight-ready configuration.

2. Battery Installation and Charging

Insert the fully charged lithium battery into the designated compartment on the drone. Ensure it is securely latched. To charge the battery, connect it to the USB charging cable and plug into a compatible USB power source. The battery indicator lights will show charging status.

3. Remote Control Setup

Install 1 AAA battery (included) into the remote control. Extend the phone holder on the remote control and securely place your smartphone. Download the official E99 Max Drone application from your device's app store.

4. Connecting to the App

Power on the drone and the remote control. On your smartphone, connect to the drone's Wi-Fi network (usually named "E99MAX" or similar). Open the E99 Max Drone application to establish a connection and view the live feed.

OPERATING INSTRUCTIONS

1. One-Click Takeoff and Landing

After successful pairing, press the one-click takeoff button on the remote control or within the app. The drone will automatically ascend to a stable hovering height. To land, press the one-click landing button, and the drone will gently descend and power off its motors.



Video: Demonstration of the one-click takeoff and landing feature, showing the drone ascending and descending automatically.

2. Optical Flow Positioning

The E99 Max Drone utilizes optical flow positioning for stable hovering, especially in indoor environments or areas with minimal GPS signal. This feature helps the drone maintain its position accurately.

AERIAL DRONE.

Optical flow localization Steady hover without rocking

Easily hover indoors and outdoors
Novice users can also easily control it



Image: The E99 Max Drone demonstrating stable hovering indoors, supported by optical flow localization technology.

Your browser does not support the video tag.

Video: The drone maintaining a stable position using optical flow localization, even with slight movements from the operator.

3. Intelligent Following

Activate the intelligent follow mode in the app. The drone will use its camera to identify and follow a designated subject, maintaining a set distance. Ensure the subject is clearly visible and within the drone's tracking range.

Your browser does not support the video tag.

Video: The E99 Max Drone demonstrating its intelligent follow feature, tracking a person walking on a road.

4. 360° Stunt Rollover

To perform a 360° stunt rollover, ensure the drone is at a sufficient altitude (at least 3 meters). Press the designated stunt button on the remote control and simultaneously push the right joystick in the desired direction of the flip. The drone will perform a quick 360-degree flip.

Your browser does not support the video tag.

Video: A demonstration of the 360-degree stunt rollover, showing the drone performing an aerial flip.

5. HD Camera and Real-time Transmission

The drone is equipped with an HD camera for capturing photos and videos. The advanced FPV (First Person View) transmission technology allows for real-time viewing of the drone's camera feed on your connected smartphone. This provides an immersive flying experience.



Image: Close-up of the E99 Max Drone highlighting its HD lens for aerial photography.

Video: The drone's HD camera capturing footage from above, demonstrating its aerial photography capabilities.

6. Gesture Photography and Recording

The drone supports gesture control for taking photos and starting video recordings. Refer to the app interface for specific gestures (e.g., V-sign for photo, open palm for video) to activate these functions remotely.

Video: A user demonstrating gesture photography, with the drone capturing an image in response to a hand gesture.

7. Trajectory Flight

Utilize the trajectory flight feature in the app to draw a desired flight path on your screen. The drone will automatically follow this predefined route, allowing for precise and automated flight patterns.

Your browser does not support the video tag.

Video: A user drawing a flight path on the app screen, followed by the drone executing the trajectory flight.

8. Speed Range Advanced Mode

The drone offers multiple speed settings. For advanced users or windy conditions, select the higher speed modes via the remote control or app to enhance stability and responsiveness. For beginners, start with the lowest speed setting.

Your browser does not support the video tag.

Video: Demonstration of switching to speed range advanced mode, showing the drone's increased agility.

MAINTENANCE

- **Cleaning:** Use a soft, dry cloth to clean the drone and remote control. Avoid using harsh chemicals or solvents.
- **Propeller Inspection:** Regularly check propellers for damage (cracks, bends). Replace damaged propellers immediately using the provided spare blades and screwdriver.
- **Battery Care:** Store batteries in a cool, dry place. Do not overcharge or over-discharge. If not used for extended periods, charge the battery to about 50% capacity.
- **Storage:** When not in use, fold the drone and store it in its carrying case to protect it from dust and physical damage.

TROUBLESHOOTING

Problem	Possible Cause	Solution
Drone does not respond to remote control.	Not paired, low battery, interference.	Ensure drone and remote are powered on and paired. Charge batteries. Move to an open area away from interference.
Poor camera feed quality or no feed.	Weak Wi-Fi signal, app issue.	Ensure strong Wi-Fi connection. Restart app and drone.
Drone drifts during flight.	Calibration needed, windy conditions.	Perform gyroscope calibration as per app instructions. Adjust flight speed in windy conditions.

If you encounter any issues not listed here, or if the problem persists, please contact customer support.

SPECIFICATIONS

Feature	Detail
Brand	LinkBest
Model Name	E99 MAX Drone
Special Features	Optical Flow Positioning, One Key Take Off/Landing, Predefined Flight Route
Age Range (Description)	Kid, Teen
Color	Dual Batteries
Video Capture Resolution	480p
Connectivity Technology	Wi-Fi
Included Components	Battery, Carrying Case, Remote Control, User Manual
Skill Level	Beginner
Item Weight	402 Grams (14.2 ounces)
Battery Capacity	500 Milliamp Hours
Video Capture Format	MP4
Remote Control Technology	Wi-Fi
Control Type	Remote Control
Media Type	Micro SD
Maximum Range	50 Meters
Material	Plastic
Battery Cell Composition	Lithium Polymer
Product Dimensions	7.48"L x 9.84"W x 2.36"H

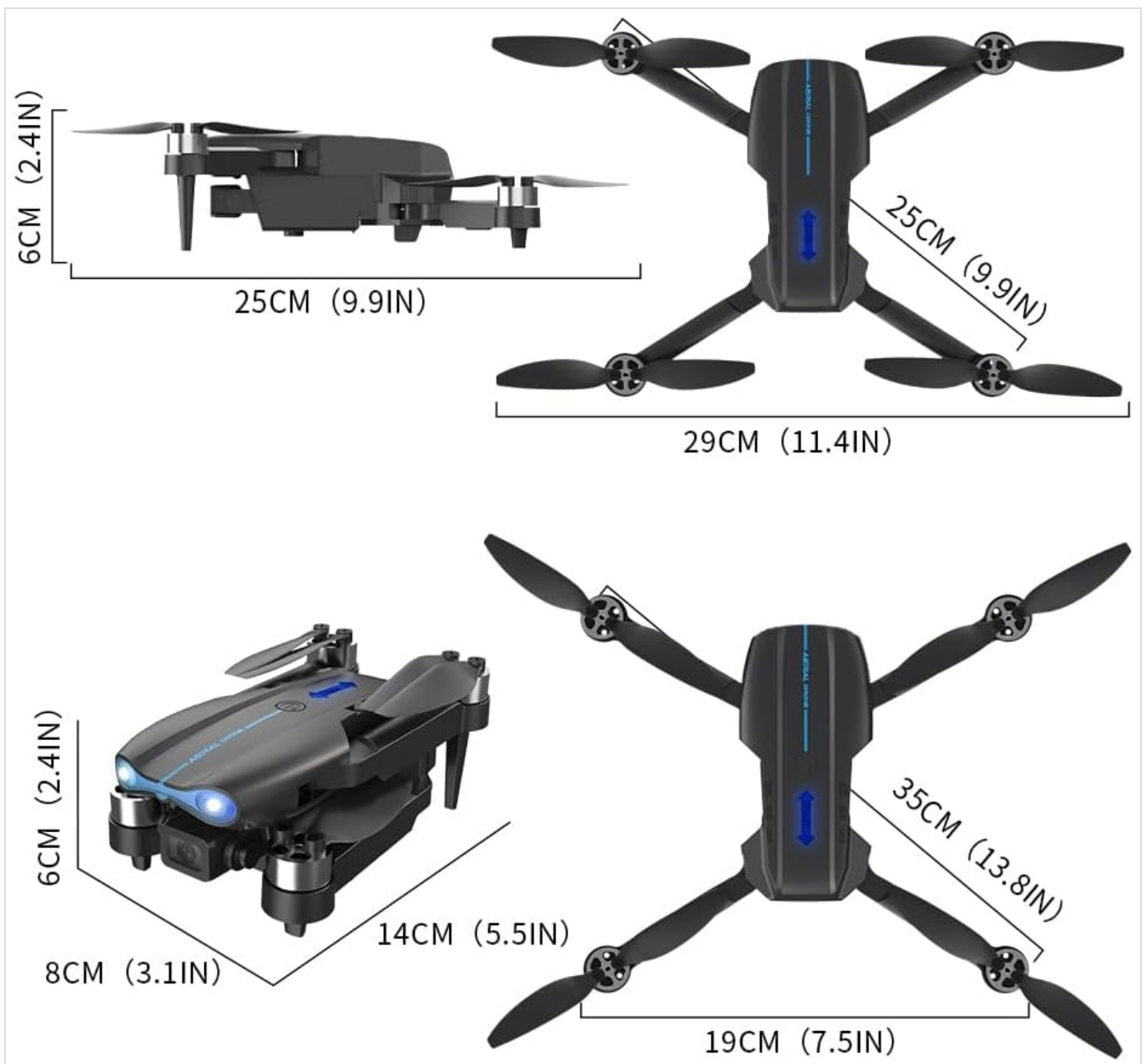


Image: Detailed dimensions of the E99 Max Drone, showing both folded and unfolded measurements.

WARRANTY AND SUPPORT

The manufacturer provides 18-month quality assurance and a 30-day money-back guarantee for any reason. If the drone, remote control, or app experiences any issues during flight, please email the seller for technical support. 24-hour technical support is available.

Important Note: It is recommended to test flight in an open space for the first time. In windy outdoor conditions, adjust flight speed to the third high speed to avoid wind interference and loss of control.

