

Mirightone 3767AKF

Mirightone Full Size Kids Bed Frame with Rails - Instruction Manual

Model: 3767AKF

1. SAFETY INFORMATION

Please read all instructions carefully before assembly and use. Retain this manual for future reference.

- **Adult Assembly Required:** This product requires adult assembly. Ensure all components are securely fastened before use.
- **Pinch Hazards:** The design includes a 2.8-inch gap in each fence to prevent pinch hazards. However, always supervise children around the bed.
- **Weight Capacity:** Do not exceed the maximum weight capacity of 350 pounds.
- **Mattress Compatibility:** Use a mattress with a recommended thickness of 6-8 inches. Ensure the mattress fits snugly within the frame to prevent gaps.
- **Regular Checks:** Periodically check all bolts and connections to ensure they remain tight.
- **Placement:** Position the bed on a flat, stable surface.

2. PRODUCT OVERVIEW

The Mirightone Full Size Kids Bed Frame is designed for safety, independence, and versatility. It features a low-to-ground profile and guardrails, making it suitable for transitioning children.

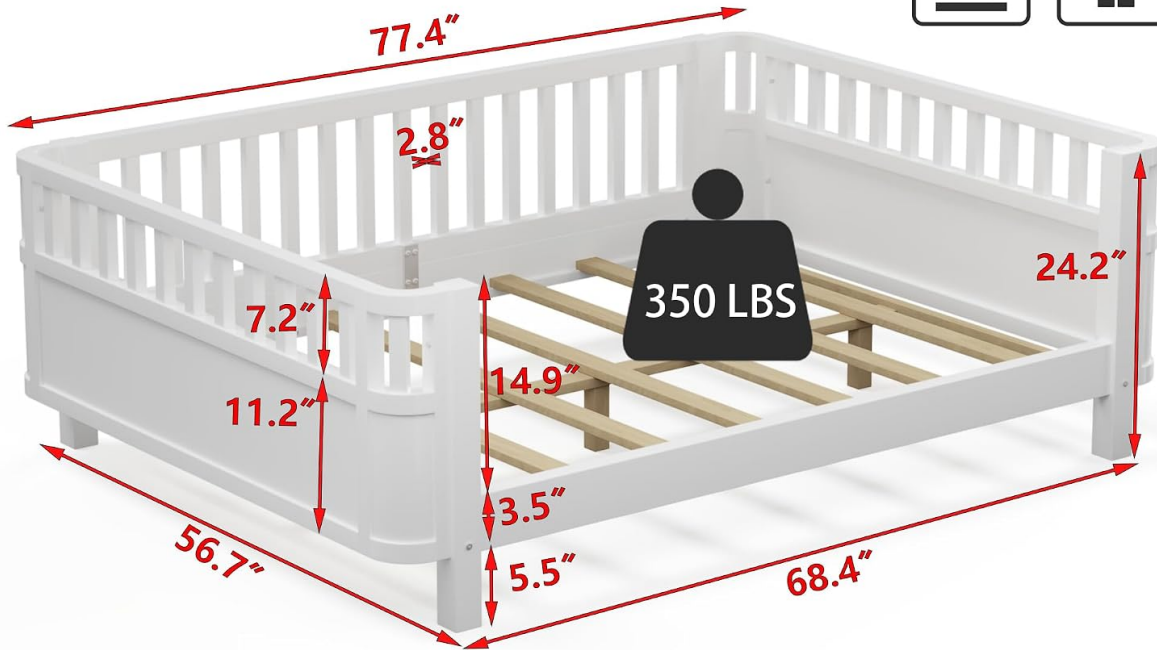
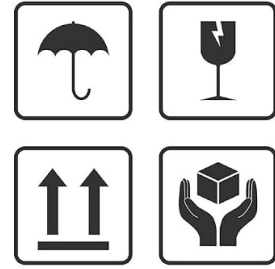
Key Features:

- **Low-to-Ground Design:** The bed frame sits 5.5 inches from the floor, allowing children to easily get in and out independently.
- **Convertible Design:** Functions as a full bed with guardrails or can be converted into a daybed by removing one side rail.
- **Enhanced Safety:** Features a three-sided guardrail, rounded corners, and inward-set legs to minimize bumps and provide a secure sleeping environment.

- **Durable Construction:** Crafted from high-quality solid pine wood, plywood, and MDF, supported by 9 reinforced plywood slats for stability.
- **Versatile Use:** Ideal for children's bedrooms, guest rooms, or studies.

Easy to assemble

Mattress not included



FULL SIZE

Overall Product Dimension: 77.4L * 56.7W * 24.2"H
 Recommend Mattress Thickness: 6-8 inch
 Product Weight: N.W: 61.73 LBS G.W: 70.54 LBS

Image 2.1: Overall dimensions and weight capacity of the Mirightone Full Size Kids Bed Frame. The bed measures 77.4 inches long, 56.7 inches wide, and 24.2 inches high, with a maximum weight capacity of 350 pounds.



Low to Ground Design

There is 5.5 inch from the kids bed frame to the floor which is low profile design makes this twin kids bed easy for your child to get in and out of bed on their own

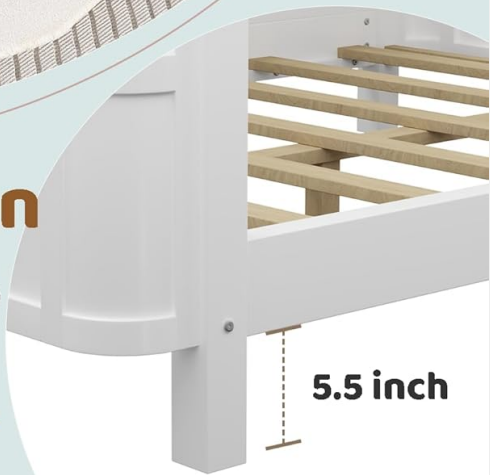


Image 2.2: Detail illustrating the low-to-ground design, showing the 5.5-inch clearance from the floor to the bed frame, promoting child independence.

Kids Sleep Transition

Make the transition from co-sleeping to independent sleep

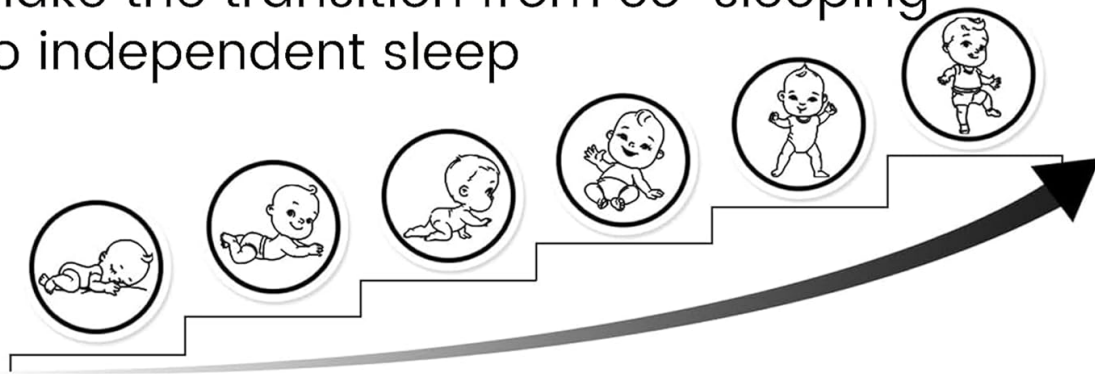


Image 2.3: Visual representation of the bed's role in a child's sleep transition, from co-sleeping to independent sleep, highlighting its adaptability.



Low height & fence design can prevent children from falling off the bed.



Semi-closed design help children fall asleep as a mate bed



Image 2.4: Close-up of the bed's fence design, emphasizing the low height and semi-closed structure to prevent falls and provide a secure sleeping area.



Adaptable to Various Occasions

The functional design of the kids bed makes it suitable not only as a twin bed but also as a daybed. Can be placed in guest rooms, studies, or kids bedrooms.

Image 2.5: The bed configured as a daybed in a child's room, demonstrating its versatility for different room types and uses.

Strong Wooden Construction

Sturdy & Noise free



Healthy



No Breaking



Sturdy



Image 2.6: Illustration of the bed's strong wooden construction, highlighting the use of pine wood and plywood slats for durability and stability.



3-Sided Guardrail

Provides additional safety to protect children during sleep.

As Platform Bed

The right side rails of the bed can be taken off when no need.



Image 2.7: Depiction of the three-sided guardrail for safety and how the bed can be converted into a platform bed by removing one side rail.

Provide a Safe Sleeper Space for Your Baby



Strong &
Durable



Compact



Manual
Included



Made of
Pine Wood



Manual
Included

Image 2.8: Icons representing key features such as strong and durable construction, compact size, included manual, pine wood material, and easy assembly, all contributing to a safe sleeping space.

3. ASSEMBLY INSTRUCTIONS

The Mirightone Full Size Kids Bed Frame is designed for straightforward assembly. A detailed assembly manual, along with all necessary tools and hardware, is included in the package.

Before You Begin:

1. **Unpack All Components:** Carefully remove all parts from the packaging. Lay them out on a clean, soft surface to prevent scratches.
2. **Verify Parts:** Compare the included parts with the parts list in the separate assembly manual to ensure all components are present and undamaged. If any parts are missing or damaged, please contact customer support immediately.
3. **Gather Tools:** All required assembly tools are provided. Ensure you have them readily available.

Assembly Steps:

Refer to the dedicated assembly manual included in your package for step-by-step visual instructions. Follow the sequence precisely to ensure proper and safe construction.

- Attach the side rails to the headboard and footboard using the provided hardware.
- Install the reinforced plywood slats onto the support beams. Ensure they are evenly spaced and securely fastened.

- Confirm all connections are tight and stable before placing a mattress on the frame.

Note: If the assembly manual was not included in your package, please refer to the 'Warranty and Support' section to contact Mirightone customer care for assistance.

4. OPERATING INSTRUCTIONS

Standard Bed Configuration:

In its standard configuration, the bed features a three-sided guardrail. This setup provides a secure sleeping area for children, preventing accidental falls.

- Place the mattress directly onto the installed slats.
- Ensure the mattress fits snugly within the frame.

Daybed Conversion:

The bed can be converted into a daybed by removing one of the side rails. This feature allows for versatile use in various room settings.

1. Identify the side rail you wish to remove.
2. Carefully unfasten the hardware connecting this rail to the headboard and footboard.
3. Store the removed rail and hardware in a safe place for future re-installation if desired.
4. Position the open side of the bed against a wall for stability and safety, especially if used by younger children.

Video Guide:

Your browser does not support the video tag.

Video 4.1: An official product video demonstrating the Mirightone Full Size Bed Frame. This video provides a visual overview of the bed's features and potential configurations.

5. MAINTENANCE

Proper care will ensure the longevity and appearance of your Mirightone bed frame.

- **Cleaning:** Wipe the bed frame with a damp cloth for general cleaning. For a polished finish, follow with a dry cloth. Avoid harsh chemicals or abrasive cleaners.
- **Hardware Checks:** Periodically inspect all screws, bolts, and connections. Tighten any loose hardware to maintain structural integrity and safety.
- **Avoid Excessive Moisture:** Protect the wood from prolonged exposure to moisture to prevent warping or damage.

6. TROUBLESHOOTING

If you encounter any issues with your bed frame, refer to the following common solutions:

- **Missing Parts or Hardware:** If you find any parts or hardware missing upon unboxing, do not proceed with assembly. Contact Mirightone customer support immediately for replacement parts.
- **Bed Frame Creaks or Wobbles:** This usually indicates loose connections. Carefully re-tighten all bolts and screws on the frame. Ensure the bed is placed on a level surface.
- **Slats Not Supporting Mattress Properly:** Ensure all slats are correctly installed and evenly spaced

according to the assembly manual. If your mattress warranty requires specific slat spacing or a solid foundation, you may need to add a bunkie board or additional support (not included) to meet those requirements.

- **Difficulty Assembling:** Double-check the assembly manual for any missed steps or incorrect orientations of parts. If issues persist, contact customer support for guidance.

7. SPECIFICATIONS

| Feature | Detail |
|--------------------------------|--|
| Model Number | 3767AKF |
| Brand | Mirightone |
| Overall Dimensions (L x W x H) | 77.4" x 56.7" x 24.2" |
| Weight Capacity | 350 Pounds |
| Material | Pine Wood, Plywood, MDF |
| Color | White |
| Recommended Mattress Thickness | 6-8 inches |
| Assembly Required | Yes |
| Special Features | 3-Sided Guardrail, Detachable Side Bed Rails, Low Profile Design |

8. WARRANTY AND SUPPORT

For any questions, concerns, or support needs regarding your Mirightone Full Size Kids Bed Frame, please contact our customer care team.

How to Contact Support:

- **Via Amazon Order Page:** Go to your Amazon 'Orders' page, find your purchase, and click 'Contact Seller'.
- Mirightone customer care aims to respond within 24 hours, including weekends.

Please have your order number and model number (3767AKF) ready when contacting support to expedite assistance.