

SOFTSEA x10

SOFTSEA Twin XL Tufted Daybed Frame

Model: x10 - Instruction Manual

INTRODUCTION

Thank you for choosing the SOFTSEA Twin XL Tufted Daybed Frame. This daybed is designed to provide a comfortable and stylish sleeping or lounging solution for your living room or bedroom. Featuring a velvet upholstered finish, tufted backrest, and convenient side storage pockets, this floor daybed combines modern aesthetics with practical functionality. This manual provides detailed instructions for assembly, usage, maintenance, and troubleshooting to ensure a safe and enjoyable experience with your new furniture.

IMPORTANT SAFETY INSTRUCTIONS

Please read all instructions carefully before assembly and use. Keep this manual for future reference.

- Do not load more than 400 pounds on the daybed. Exceeding this weight limit may cause damage to the frame and potential injury.
- Be careful around sharp edges during assembly and use to prevent injury.
- Ensure all bolts and screws are securely tightened before use and periodically check them for tightness.
- Do not allow children to play on or around the daybed unsupervised.
- Use only the recommended mattress thickness (6 inches) to ensure proper fit and safety.

PACKAGE CONTENTS

Your SOFTSEA Twin XL Tufted Daybed Frame will arrive in two separate packages. Please ensure you have received both packages and all components are present before beginning assembly.

Included Components:

- Daybed Frame Sections (Side Panels, Backrest)
- Wooden Slats
- Hardware Pack (Screws, Bolts, Allen Wrench)

- Assembly Instructions Manual

ASSEMBLY GUIDE

Full assembly is required for this daybed. It is recommended that two people assemble the daybed to ensure ease and safety. All necessary tools are included in the hardware pack.

Estimated Assembly Time: 60-90 minutes

Tools Required: Included Allen Wrench

Step-by-Step Assembly:

1. **Unpack and Identify Parts:** Carefully remove all components from the packaging. Lay them out on a clean, soft surface (like a rug or blanket) to prevent scratches. Identify each part using the provided parts list in your separate assembly manual.
2. **Attach Side Panels:** Connect the side panels to the main frame sections using the provided bolts and the Allen wrench. Do not fully tighten the bolts until all major components are connected.
3. **Attach Backrest:** Secure the tufted backrest to the assembled side and frame sections. Ensure proper alignment before tightening bolts.
4. **Install Slats:** Place the wooden slats across the bed frame. The integrated bentwood slat system provides a reliable foundation. Ensure each slat is properly seated and secured according to the detailed instructions in your assembly manual.
5. **Final Tightening:** Once all components are in place and aligned, go back and securely tighten all bolts and screws. Do not overtighten.



Image: Back view of the daybed frame, illustrating the slat support system and overall structure before mattress placement.



Image: Close-up view of how the wooden slats attach to the daybed frame, ensuring a stable mattress foundation.

OPERATING INSTRUCTIONS

Once assembled, your SOFTSEA daybed is ready for use. It functions as both a comfortable bed and a stylish sofa, making it versatile for various room settings.

- **Mattress Placement:** Place a Twin XL size mattress (recommended thickness 6 inches) directly onto the wooden slats. No box spring is required.
- **Using Storage Pockets:** The daybed features convenient side storage pockets. These are ideal for holding books, remote controls, magazines, or other small personal items, keeping them within easy reach.
- **Seating and Lounging:** The tufted backrest and sloped arms provide comfortable support for sitting or lounging. Add decorative pillows for enhanced comfort and style.



Image: The SOFTSEA Twin XL Daybed fully assembled and dressed, showcasing its use as a comfortable bed or sofa.



Image: Detailed view of the integrated side storage pockets, perfect for keeping small items organized and accessible.

CARE AND MAINTENANCE

Proper care will extend the life and appearance of your daybed.

- **Cleaning Upholstery:** For general cleaning, gently vacuum the velvet fabric with an upholstery attachment to remove dust and debris. For spills, blot immediately with a clean, dry cloth. For tougher stains, consult a professional upholstery cleaner or use a mild fabric cleaner suitable for velvet, testing on an inconspicuous area first.
- **Frame Care:** Wipe the visible wood or non-upholstered parts with a soft, damp cloth. Avoid harsh chemicals or abrasive cleaners.
- **Hardware Check:** Periodically check all bolts and screws to ensure they remain tight. Re-tighten as necessary to maintain stability and safety.
- **Avoid Direct Sunlight:** Prolonged exposure to direct sunlight can cause the fabric to fade. Position your daybed away from direct sunlight or use curtains/blinds.

TROUBLESHOOTING COMMON ISSUES

If you encounter any issues with your daybed, refer to the following common solutions:

- **Wobbling or Instability:** Ensure all assembly bolts and screws are fully tightened. If the issue persists, disassemble and reassemble, paying close attention to alignment.
- **Squeaking Noises:** Squeaking often indicates loose connections. Re-tighten all hardware. Applying a small amount of lubricant (like silicone spray) to metal-on-metal contact points or where slats meet

the frame can also help.

- **Fabric Damage/Wear:** For minor snags, carefully trim loose threads. For significant damage, contact customer support for advice.
- **Missing Parts:** If any parts are missing upon delivery, please contact SOFTSEA customer support immediately with your purchase details.

PRODUCT SPECIFICATIONS

SIZE:INCH

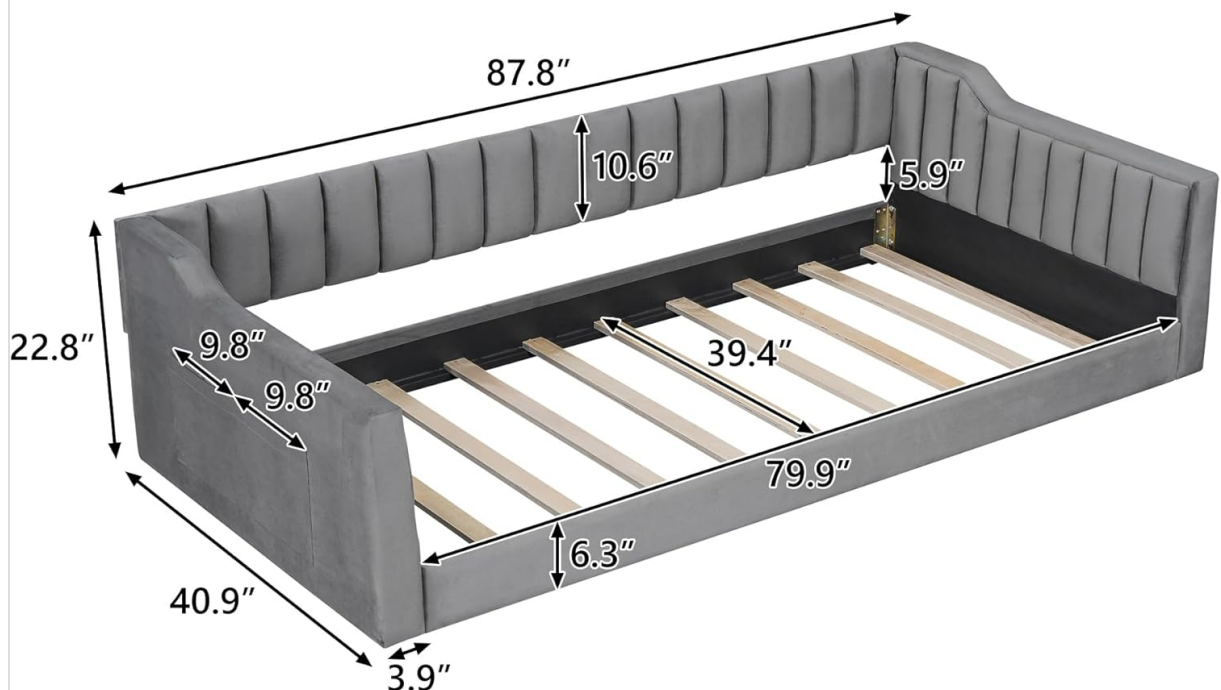


Image: Dimensional diagram of the SOFTSEA Twin XL Daybed Frame, illustrating length, width, and height measurements.

Model Number	x10
Size	Twin XL
Overall Dimensions (L x W x H)	87.8" x 40.9" x 22.8"
Weight Capacity	400 lbs
Product Weight	81 lbs
Material	MDF, Pine Wood, Velvet Upholstery
Color	Grey

Recommended Mattress Thickness	6 inches
Assembly Required	Yes (Full Assembly)

WARRANTY INFORMATION

Specific warranty details for the SOFTSEA Twin XL Tufted Daybed Frame are not provided in this manual. For information regarding product warranty, please refer to your purchase documentation or contact SOFTSEA customer support directly.

CUSTOMER SUPPORT

If you have any questions, require assistance with assembly, or need to report missing/damaged parts, please contact SOFTSEA customer support. Have your model number (x10) and purchase details ready when contacting support.

For further assistance, please visit the official SOFTSEA store or contact their customer service department through the retailer where the product was purchased.