

Manuals+

[Q & A](#) | [Deep Search](#) | [Upload](#)

[manuals.plus](#) /

› [NEEWER](#) /

› [NEEWER Foldable V Mount Battery Plate Instruction Manual](#)

NEEWER PS015 Pro

NEEWER Foldable V Mount Battery Plate

MODEL: PS015 PRO

Brand: NEEWER

1. Introduction and Overview

The NEEWER PS015 Pro Foldable V Mount Battery Plate is a versatile accessory designed to integrate V-mount batteries with your camera rig, providing extended power solutions. Its foldable design ensures portability, while the Arca-Type quick release system allows for seamless transitions between various camera setups and tripods. This manual provides essential information for the proper setup, operation, and maintenance of your battery plate.



Figure 1: NEEWER PS015 Pro Foldable V Mount Battery Plate.

2. Key Features

- **Foldable V Mount Battery Plate:** This compact and lightweight V mount battery plate simultaneously mounts a camera and a V mount battery. It features a quick release button for fast installation and a detachable mini V mount adapter, allowing compatibility with 1/4" threaded accessories like NP-F battery adapter plates.

UNIVERSAL V MOUNT BATTERY PLATE

Suitable for most V mount batteries



Figure 2: Universal V Mount Battery Plate in use.

- **Double Arca Type QR Mounts:** The battery mounting plate clamp includes an Arca-Type quick release plate for various cameras and an Arca-Type base with 1/4" and 3/8" threads for wide compatibility with tripod heads. A retractable anti-off pin prevents accidental camera detachment.

ARCA TYPE QUICK RELEASE PLATE

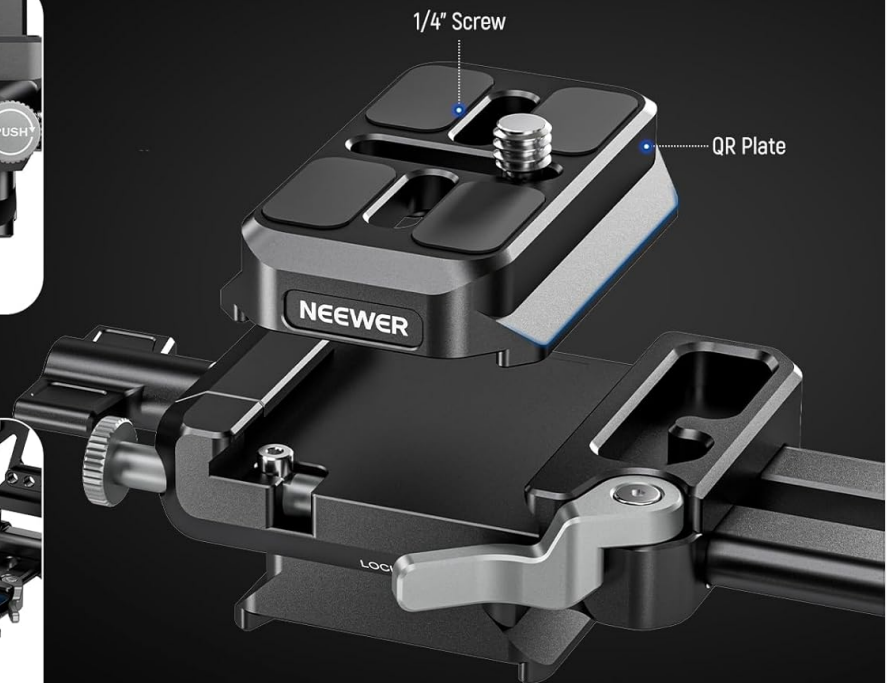
Quickly and safely mounts your camera.



Quick Release Clamp
(Lock the Camera)



Arca Type Baseplate
(For Handheld Stabilizer)



Note: Only PS015 Pro foldable V mount battery plate is included.

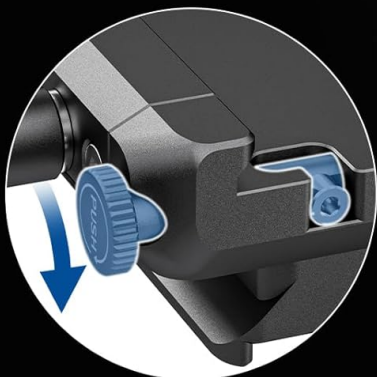
Figure 3: Arca Type Quick Release Plate with lock and screw.

ANTI OFF PIN

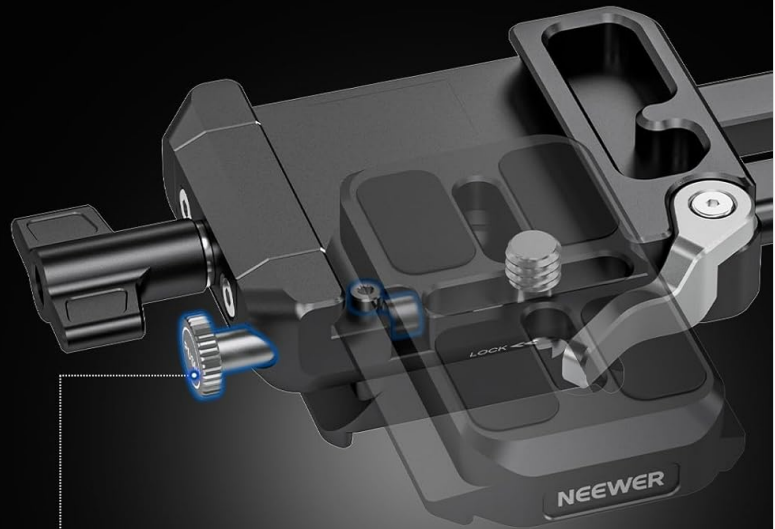
A retractable anti off pin can prevent the QR plate and mounted camera from dropping



Press to Release



Press and Rotate to Hide



Anti Off Pin



Anti Off Hooks

Note: Anti off pin can be hidden when using a camera cage without anti off hooks.

Figure 4: Retractable Anti-Off Pin for secure mounting.

- **Seamless Equipment Transition:** Compatible with DJI RS4, RS4 Pro, RS3, RS3 Pro, RS2, and RSC2 handheld stabilizer gimbals. The Arca-Type base with anti-off hook accessories can attach to gimbals from either side and seamlessly transfer to a tripod for stable video recording.

SEAMLESS EQUIPMENT TRANSFER

Arca type base with anti off hooks can attach to the gimbal from the left or right for smooth motion captures and seamlessly transfer to a tripod for stable video recording



Figure 5: Transitioning the rig from gimbal to tripod.

- **Extendible Camera Baseplate:** The 1.4"/36.5mm extendible camera baseplate accessory is compatible with a wide range of DSLR/mirrorless digital cameras, including Canon R5C, R100, EOS R50; Sony FX3, FX30, Alpha A9, A7S, A7R, A7CR, A7C, A6700, ZV-E10; Nikon Zf, Zfc, Z30, Z9; Fujifilm X100VI, X-S20, X-T5, X-H2S; Panasonic Lumix GH6, S5 IIX; and Blackmagic 4K, 6K.

EXTENDABLE CAMERA BASEPLATE

Extendable at 1.4"/36.5mm, the camera baseplate is compatible with most of the camera



Figure 6: Extendable camera baseplate for various camera sizes.

- **180° Flexible Battery Positions:** The 180° tilt allows you to mount the V-mount battery in vertical or horizontal positions, ensuring the camera's flip screen remains fully accessible. It folds flat for easy storage and transport.

180° FLEXIBLE BATTERY POSITIONS

The 180° tilting battery plate lets you mount the V mount battery in vertical or horizontal positions and makes sure the camera's flip screen will be fully articulated.

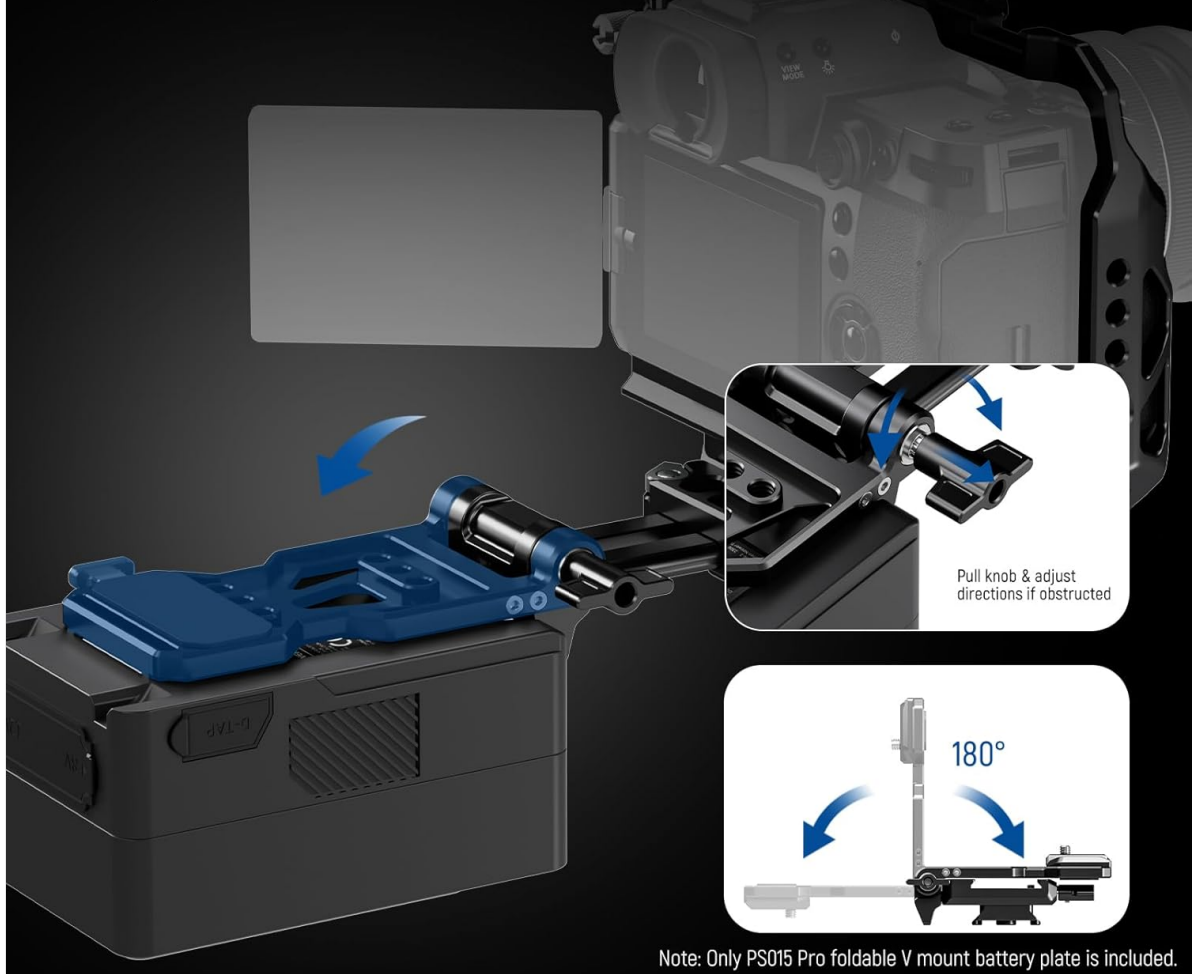


Figure 7: Battery plate tilting for screen access.

- **Multiple Power Supply Options:** Directly mount a V-mount battery or use an extra battery plate for NP-F batteries (sold separately).

MULTIPLE POWER SUPPLY OPTIONS

Directly mount a V mount battery or use an extra battery plate for NP-F batteries.

V Mount Battery



PS009E

NP-F Battery



+



Battery Plate

+



NP-F970

Note: Only PS015 Pro foldable V mount battery plate is included.

Figure 8: Options for V-mount and NP-F battery use.

3. Package Contents

- 1 x Foldable V Mount Battery Plate

4. Setup and Installation

1. **Attaching to Camera/Rig:** Secure the Arca-Type quick release plate to the bottom of your camera or camera cage using the 1/4" screw. Ensure it is tightened firmly to prevent movement.
2. **Mounting the Baseplate:** Slide the camera/cage assembly onto the Arca-Type base of the PS015 Pro. Use the locking lever to secure the camera in place. Adjust the extendible baseplate as needed to achieve optimal balance and access to camera ports.
3. **Attaching V-Mount Battery:** Align your V-mount battery with the V-lock system on the plate and slide it down until it clicks securely into place. To remove, press the quick release button and slide the battery upwards.
4. **Using with Gimbal:** For seamless transitions, attach the Arca-Type base with anti-off hooks to your compatible DJI RS series gimbal. This allows for quick transfer between handheld gimbal use and tripod mounting.

5. Operating Instructions

- **Adjusting Battery Position:** Utilize the 180° tilt feature to position the V-mount battery vertically or horizontally. This flexibility ensures that your camera's flip-out screen remains fully accessible for monitoring.
- **Extending Baseplate:** To adjust the distance between the battery plate and your camera, loosen the locking mechanism on the extendible baseplate and slide it to the desired position (up to 1.4"/36.5mm). Re-tighten the lock securely.
- **Quick Release Functionality:** The quick release mechanisms for both the camera and the V-mount battery allow for rapid setup and breakdown, optimizing your workflow during shoots.

6. Maintenance

- **Cleaning:** Wipe the battery plate with a soft, dry cloth to remove dust and debris. Avoid using harsh chemicals or abrasive materials.
- **Storage:** When not in use, fold the battery plate flat and store it in a dry, cool place away from direct sunlight and extreme temperatures.
- **Inspection:** Periodically check all screws and levers to ensure they are tight and functioning correctly. Do not overtighten.

7. Troubleshooting

- **Plate feels loose:** Ensure all quick release levers are fully engaged and tightened. Check the 1/4" screw attaching the camera to the Arca-Type plate.
- **Battery not locking:** Verify that the V-mount battery is correctly aligned with the V-lock system and pushed down firmly until it clicks. Inspect the V-lock mechanism for any obstructions.
- **Difficulty adjusting baseplate:** Loosen the extendible baseplate's locking mechanism completely before attempting to slide it. Ensure no debris is obstructing the sliding mechanism.

8. Specifications

Product Dimensions	5.35 x 3.62 x 2.44 inches
Item Weight	3.5 ounces
Item Model Number	PS015 Pro
Manufacturer	NEEWER
Material	Aluminum Alloy
Mounting Points	V Mount, 1/4" Threads

9. Warranty and Support

For warranty information and customer support, please refer to the documentation included with your product or visit the official NEEWER website. You can also visit the [NEEWER Brand Store](#) for additional resources and product information.

10. Product Videos (Text Descriptions)

While no official seller videos are available for direct embedding, the following videos provide additional insights into the product's features and use:

- **NEEWER V Mount Plate: The Rig That Changed My Filmmaking:** This video showcases the V mount plate integrated into a filmmaking rig, highlighting its impact on the user's setup.
- **A Must Have For Studio Shooters or Videographers:** A customer review emphasizing the utility of the plate for studio and videography applications.
- **NEEWER Foldable V Mount Battery Plate:** An influencer's overview of the foldable V mount battery plate.
- **I Tested Smallrig vs Neewer Foldable V-Mount Battery Plates:** A comparative review between the NEEWER plate and a similar product from SmallRig.
- **Compact and easy to use:** A customer's perspective on the compact design and ease of use.
- **Flop. Sideways Arca on the bottom with horizontal screw holes is useless.:** A customer's critical review regarding the Arca plate orientation.
- **Sturdy Bracket....bulky.:** A customer's brief review on the bracket's sturdiness and size.
- **What The NEEWER Foldable V Mount Battery Plate Looks Like Up Close:** An influencer's detailed close-up view of the product.