

SEBSON IR_OUT_CA

SEBSON Outdoor Motion Detector IP65

Model: IR_OUT_CA

1. INTRODUCTION

This manual provides detailed instructions for the installation, operation, and maintenance of your SEBSON Outdoor Motion Detector IP65. Please read this manual carefully before installation and use to ensure proper function and safety. Keep this manual for future reference.



Image 1: SEBSON Outdoor Motion Detector IP65 in anthracite.

2. SAFETY INSTRUCTIONS

- Installation must be performed by a qualified electrician in accordance with local wiring regulations.
- Ensure the power supply is disconnected before installation or maintenance.
- Do not exceed the maximum load capacity specified for the device.
- This product is designed for outdoor use with an IP65 rating, protecting against dust and low-pressure water jets.
- Avoid installing near heat sources, air conditioning units, or objects that may cause false triggers (e.g., swaying trees, reflective surfaces).

3. PRODUCT FEATURES

- Integrated with 3 sensors for precise detection of people, large animals, and vehicles.
- IP65 protection rating for outdoor use.
- Suitable for surface mounting on walls or ceilings.
- Maximum load capacity: 2,000W for incandescent lamps, 1,000W for LED or energy-saving lamps.
- Detection area: 20 meters at 360°.
- Vertical orientation adjustable by 180°.
- Adjustable activation duration: 10 seconds to 30 minutes, or permanent ON/OFF.
- Adjustable ambient brightness sensor: 3-2,000 LUX.



20m/360°

LED jusqu'à 1.000W

IP65

10sec. - 30min.

3-2.000LUX

230V

Image 2: Overview of key product specifications and features.

4. SETUP AND INSTALLATION

4.1 Mounting Location

Choose a stable surface for mounting, either a wall or a ceiling. Ensure the chosen location allows for the desired detection area and is free from obstructions. The detector can be vertically oriented by 180° after installation.

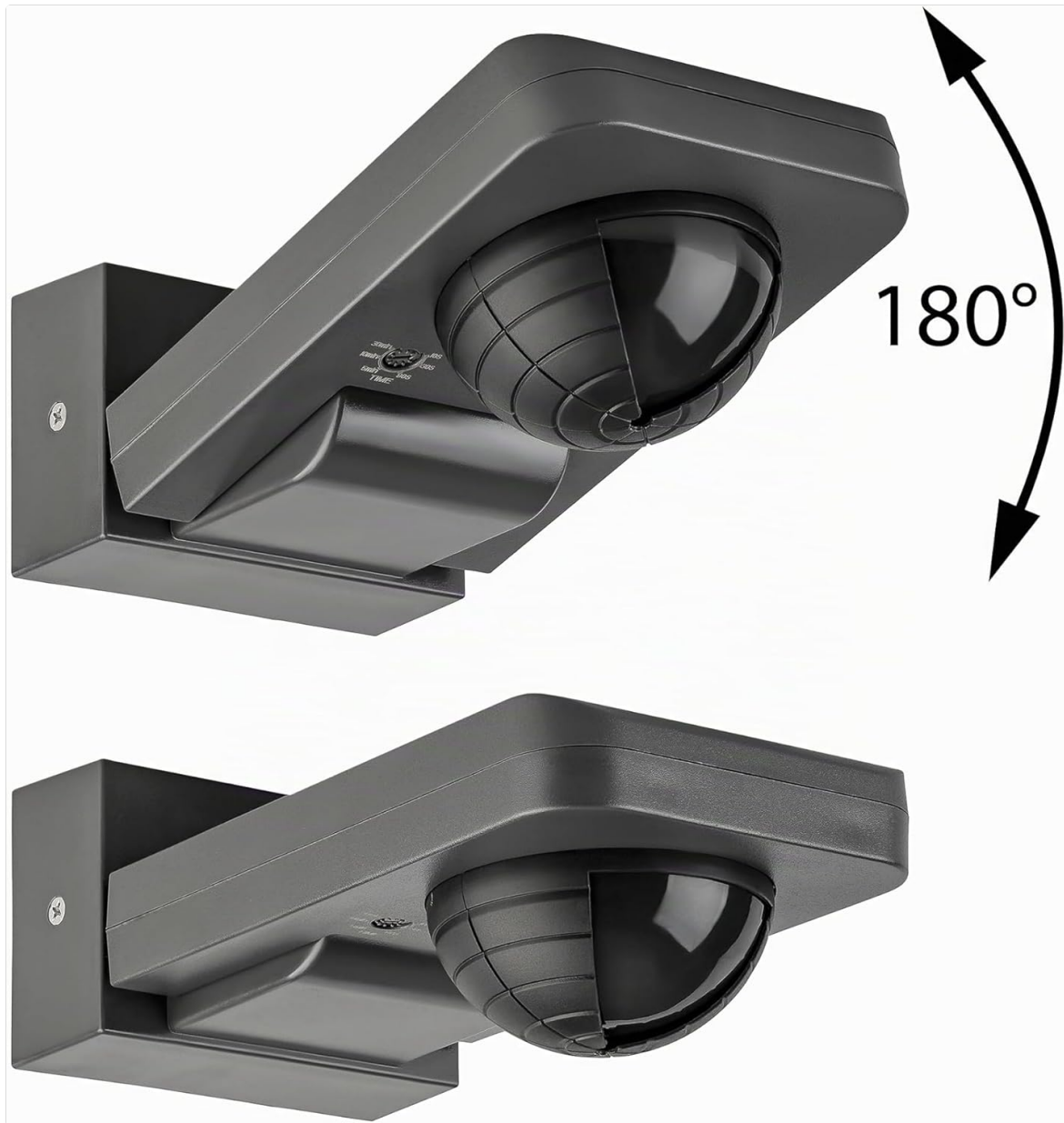


Image 3: Vertical adjustment range of the motion detector.

4.2 Wiring

Connect the motion detector to the AC power supply (230V) and the light fixture according to the wiring diagram provided by a qualified electrician. Ensure all connections are secure and insulated.

4.3 Adjusting Detection Area

The detection range is 20m at 360°. To reduce the detection range or exclude specific areas, use the provided modified cover. Cut the cover according to the desired pattern and place it over the sensor lens.

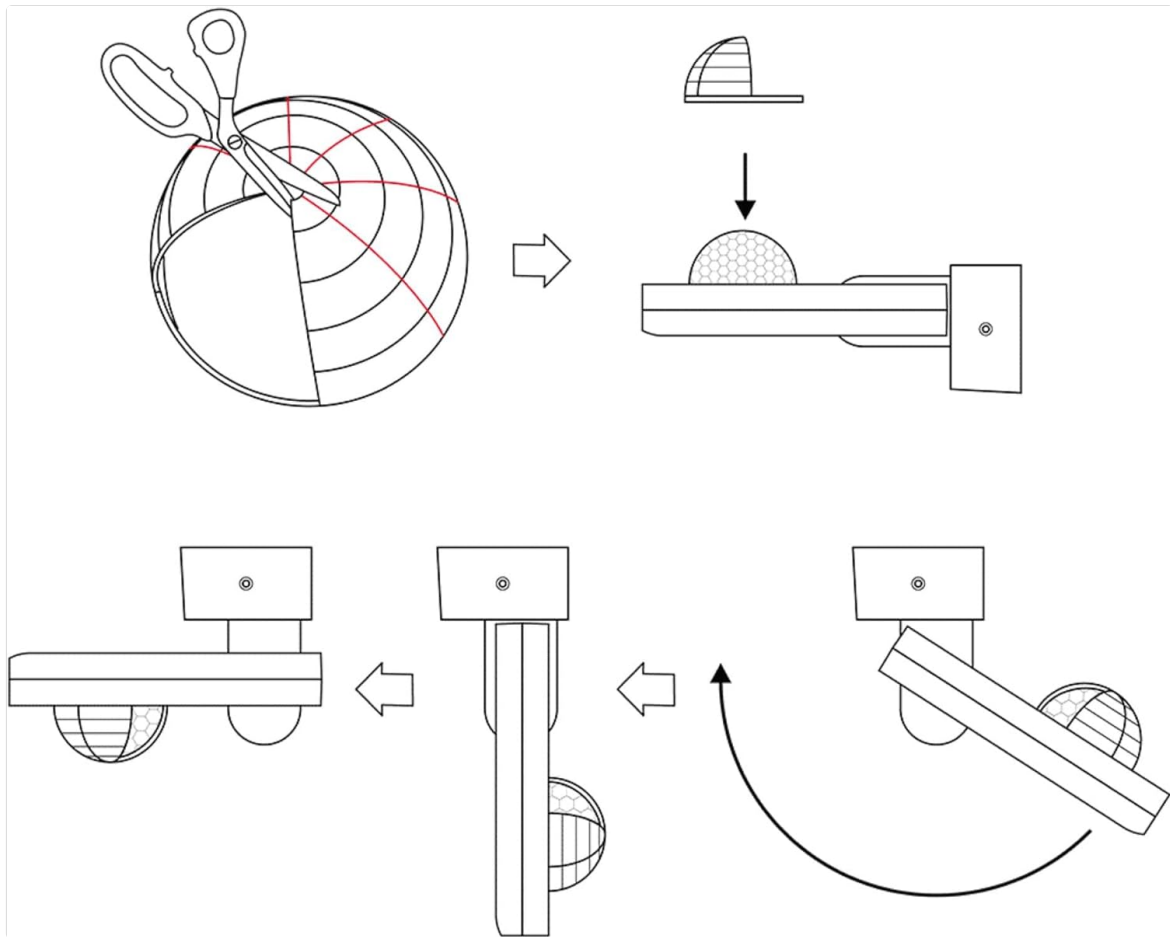


Image 4: Method for adjusting the detection area using a cover.

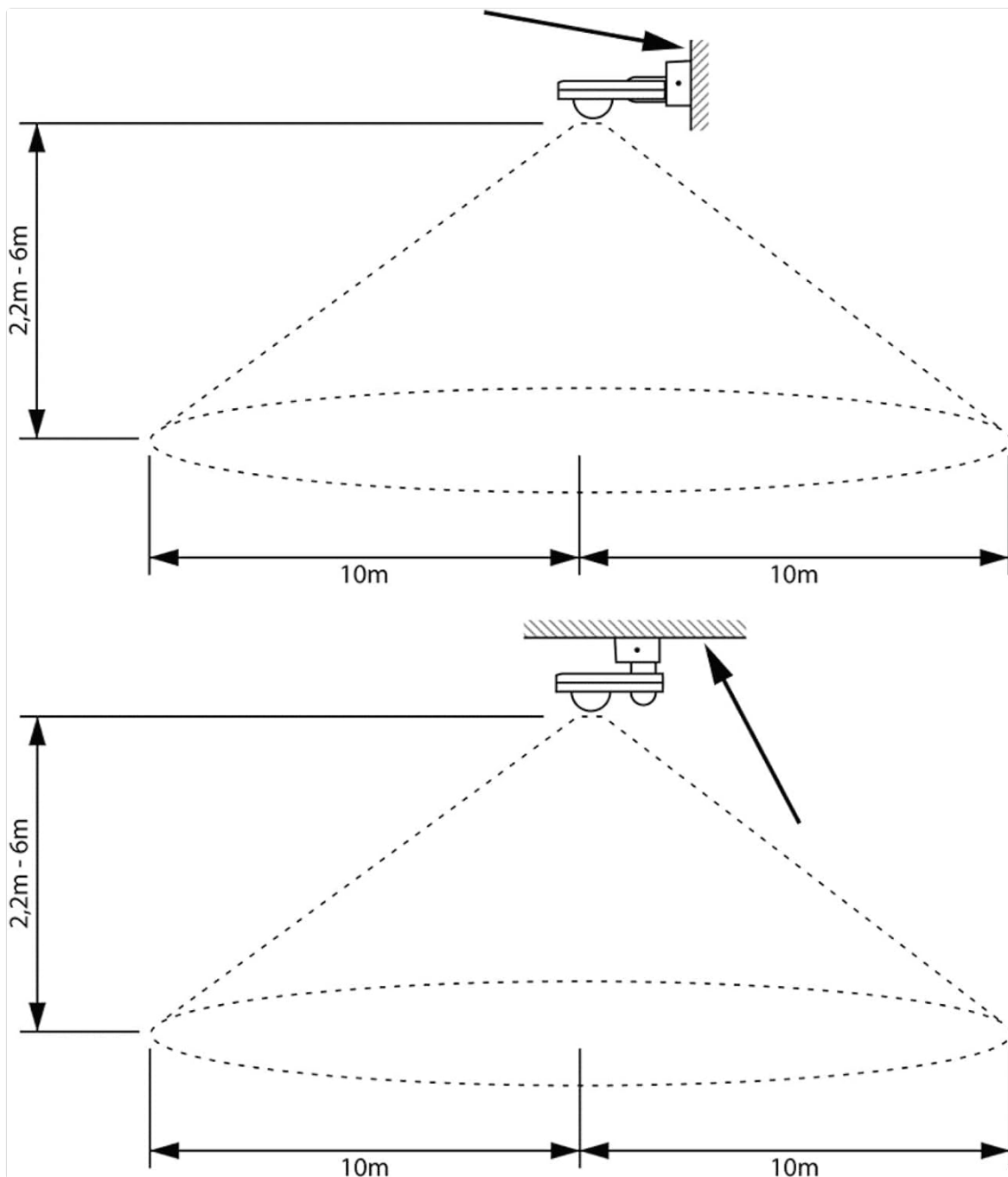


Image 5: Detection area diagrams for wall and ceiling mounting.

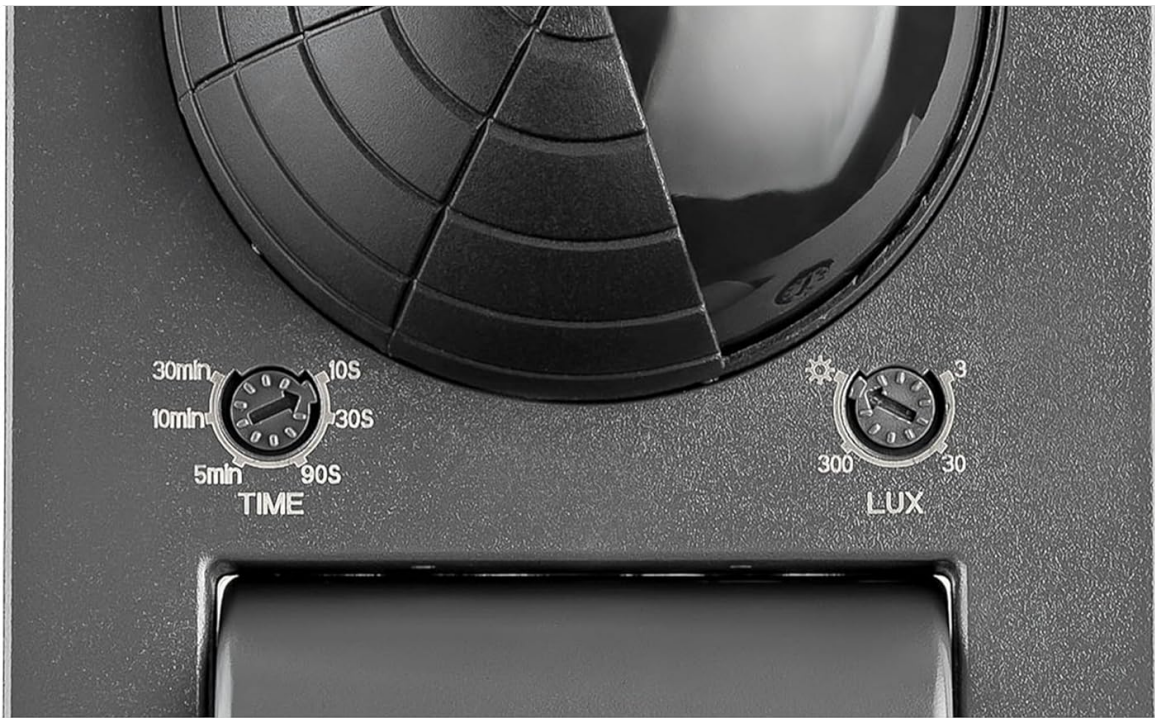
5. OPERATING INSTRUCTIONS

5.1 Time Setting (TIME)

Use the 'TIME' knob to set the duration the light remains on after motion is detected. Settings range from 10 seconds to 30 minutes. You can also set it to permanent ON or OFF.

5.2 Light Sensitivity Setting (LUX)

Use the 'LUX' knob to adjust the ambient brightness threshold at which the motion detector activates the light. Settings range from 3 LUX (darkness) to 2,000 LUX (daylight). This allows the light to only turn on when it's dark enough.



Portée de Détection (20m/ 360°)

Sensibilité à l'Allumage (3-2.000LUX)

Durée d'Éclairage (10sec. - 30min.)

Image 6: Detailed view of TIME and LUX adjustment controls.

6. MAINTENANCE

- Regularly clean the sensor lens with a soft, dry cloth to ensure optimal detection performance.
- Do not use abrasive cleaners or solvents, as these can damage the device.
- Periodically check all electrical connections for tightness and signs of wear.
- No user-serviceable parts inside. For repairs, contact qualified personnel.

7. TROUBLESHOOTING

Problem	Possible Cause	Solution
Light does not turn on when motion is detected.	<ol style="list-style-type: none"> 1. Incorrect LUX setting (too high). 2. No power supply. 3. Faulty bulb. 	<ol style="list-style-type: none"> 1. Adjust LUX setting to a lower value. 2. Check power connections. 3. Replace the bulb.
Light stays on continuously.	<ol style="list-style-type: none"> 1. TIME setting too long or set to permanent ON. 2. Constant motion in detection area. 3. Sensor obstructed or dirty. 	<ol style="list-style-type: none"> 1. Adjust TIME setting. 2. Reposition detector or adjust detection area with cover. 3. Clean sensor lens.
Light turns on without apparent motion.	<ol style="list-style-type: none"> 1. Environmental factors (wind, heat, small animals). 2. Sensor too sensitive. 	<ol style="list-style-type: none"> 1. Reposition detector or adjust detection area with cover. 2. Ensure no objects are causing false triggers.

8. SPECIFICATIONS

- **Brand:** SEBSON
- **Model Number:** IR_OUT_CA
- **Color:** Anthracite
- **Power Source:** AC (Alternating Current)
- **Item Weight:** 222 Grams
- **Max Detection Range:** 20 Meters
- **Detection Angle:** 360°
- **Mounting Type:** Surface mount (wall and ceiling)
- **Battery Description:** Battery not included
- **Temperature Range:** 20 Degrees Celsius (Operating)
- **Compatible Devices:** Smart Home Hub, Light
- **Recommended Uses:** Residential security, commercial sector, automation, energy management
- **Dimensions:** 85x55x170mm (approximate, refer to diagram for exact measurements)

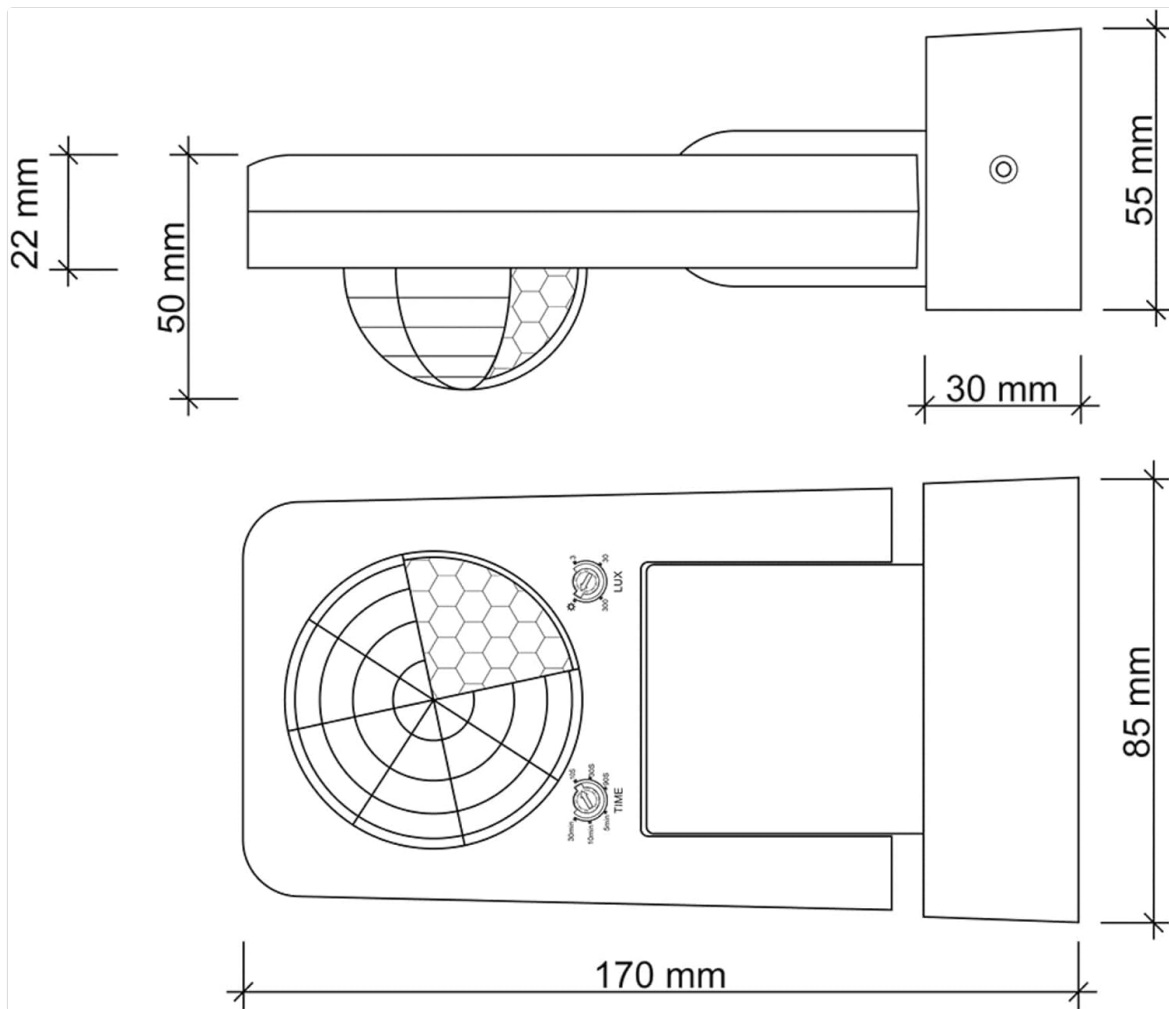


Image 7: Product dimensions.

9. WARRANTY AND SUPPORT

SEBSON products are designed for durability and performance. For warranty information or technical support, please refer to the official SEBSON website or contact your retailer. Keep your purchase receipt as proof of purchase.

For further assistance, you may visit the [SEBSON Brand Store](#).