



[Manuals.plus](#) /

› [AMprime](#) /

› AMprime Android 13 Car Radio User Manual for Subaru Forester Impreza WRX (2008-2012) - Model 8 Core 4+64g

AMprime 8 Core 4+64g

AMprime Android 13 Car Radio User Manual

For Subaru Forester, Impreza, WRX (2008-2012) - Model: 8 Core 4+64g

1. INTRODUCTION

This manual provides detailed instructions for the installation, operation, and maintenance of your AMprime Android 13 Car Radio. This unit is designed for specific Subaru models: Forester, Impreza, and WRX manufactured between 2008 and 2012. It features an 8-core processor, 4GB RAM, 64GB ROM, a 9-inch 1280x720P display, Wireless/Wired CarPlay & Android Auto, Bluetooth, GPS navigation, Wi-Fi, FM/RDS radio, DSP sound processing, and supports an AHD backup camera.

Please read this manual thoroughly before installation and use to ensure proper function and to maximize your experience with the product.



Image 1.1: AMprime Android 13 Car Radio main unit with included microphone, backup camera, and smartphone connectivity icons.

2. SAFETY INFORMATION

- **Professional Installation Recommended:** Due to the complexity of car electrical systems, professional installation is highly recommended to prevent damage to the unit or your vehicle.
- **Power Supply:** Ensure the unit is connected to a 12V DC power supply with a negative ground. Incorrect voltage can cause damage.
- **Wiring:** Do not modify or cut any wires unless explicitly instructed. Incorrect wiring can lead to malfunctions or electrical hazards.
- **Driving Safety:** Do not operate the unit in a way that distracts you from driving. Always prioritize road safety.
- **Temperature:** Avoid exposing the unit to extreme temperatures or direct sunlight for prolonged periods.
- **Moisture:** Keep the unit away from water and excessive moisture.

3. PACKAGE CONTENTS

Please verify that all items listed below are included in your package:

Size & Package List

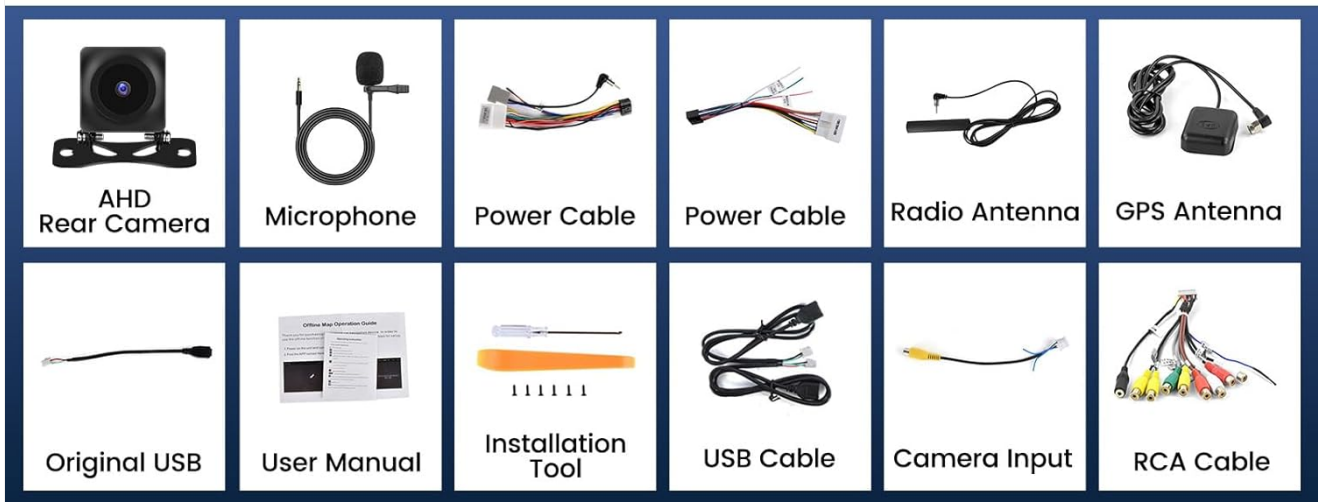
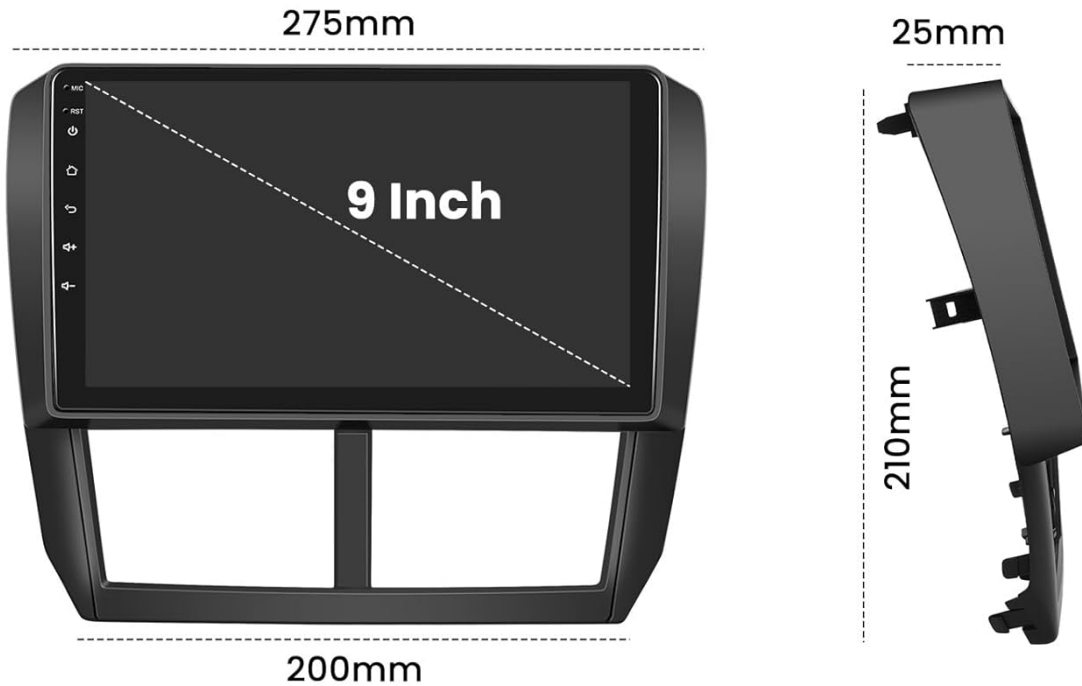


Image 3.1: Visual representation of the car radio dimensions and all included components.

- AMprime 9-inch Car Radio Unit
- AHD Rear Camera
- Microphone
- Power Cable (x2, specific to vehicle model)
- Radio Antenna
- GPS Antenna
- Original USB Cable
- User Manual
- Installation Tool
- USB Cable
- Camera Input Cable
- RCA Cable

4. SPECIFICATIONS

Feature	Specification
Operating System	Android 13
Processor	8 Core CPU
Memory (RAM)	4 GB
Storage (ROM)	64 GB
Display Size	9 Inches
Display Resolution	1280 x 720P
Connectivity	Bluetooth, Wi-Fi
Special Features	Wireless/Wired CarPlay & Android Auto, GPS Navigation, FM/RDS Radio, DSP, EQ Settings, Steering Wheel Control, AHD Backup Camera Support, Split Screen Function
Vehicle Service Type	Car (Subaru Forester/Impreza/WRX 2008-2012)
Mounting Type	Dashboard Mount
Parcel Dimensions	29 x 18 x 6 cm
Weight	1.2 kg

5. SETUP AND INSTALLATION

5.1 Pre-Installation Check

- Ensure your vehicle is compatible (Subaru Forester/Impreza/WRX 2008-2012).
- Disconnect the vehicle's battery before starting any electrical work.
- Gather all necessary tools (provided installation tool, screwdrivers, wire strippers, etc.).

5.2 Removing the Factory Radio

Carefully remove the trim panels and screws securing your existing factory radio. Refer to your vehicle's specific service manual for detailed instructions on dash disassembly.

For Subaru Forester Impreza WRX 2008-2012



Image 5.1: Comparison showing the factory radio setup versus the AMprime unit installed in a Subaru dashboard.

5.3 Wiring Connections

Connect the provided wiring harnesses to the corresponding ports on the new car radio and your vehicle's wiring. Ensure all connections are secure.

- **Power Cables:** Connect the two power cables to the vehicle's power harness.
- **Radio Antenna:** Connect the radio antenna cable.
- **GPS Antenna:** Mount the GPS antenna in a location with a clear view of the sky (e.g., on the dashboard) and connect its cable to the unit.
- **USB Cables:** Route the USB cables to a convenient location (e.g., glove compartment) for future use with CarPlay/Android Auto or media playback.
- **AHD Rear Camera:** If installing, connect the camera input cable and route the camera wiring to the rear of the vehicle. Ensure the camera is powered correctly and the reverse trigger wire is connected to the vehicle's reverse light circuit.
- **Microphone:** Connect the external microphone and position it for optimal voice pickup (e.g., near the sun visor).
- **RCA Cables:** Connect any external amplifiers or subwoofers using the RCA cables if applicable.

5.4 Mounting the Unit

Secure the AMprime car radio into the dashboard opening using the appropriate mounting brackets and screws. Reassemble the dash trim panels.

5.5 Initial Power-On

Reconnect the vehicle's battery. Turn on the ignition and power on the car radio. Follow any on-screen prompts for initial setup.

6. OPERATING INSTRUCTIONS

6.1 Basic Functions

- **Power On/Off:** Press the power button on the unit or use the vehicle's ignition.
- **Volume Control:** Adjust volume using the on-screen controls or steering wheel controls.
- **Touchscreen Interface:** Navigate through menus and applications by tapping, swiping, and pinching on the 9-inch display.

6.2 Wireless/Wired CarPlay & Android Auto

The unit supports both wireless and wired connections for Apple CarPlay and Android Auto, allowing seamless integration with your smartphone for navigation, music, calls, and messages.

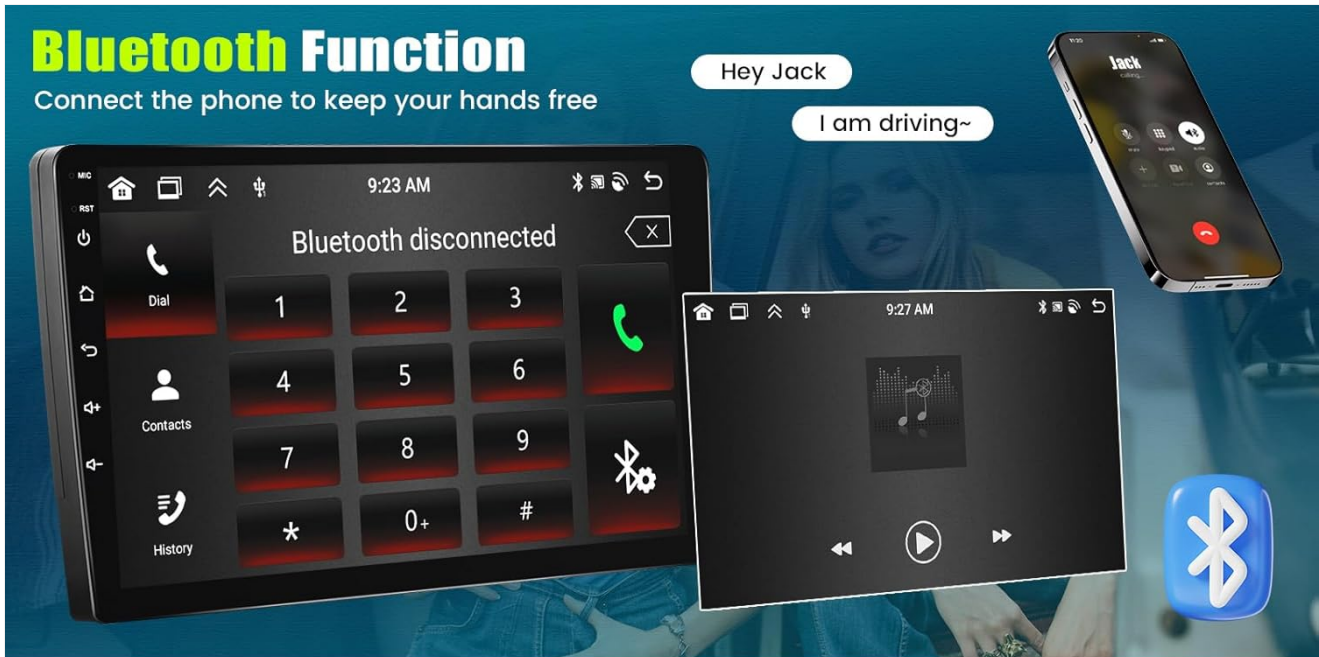


Image 6.1: Display showing the Apple CarPlay and Android Auto interfaces, highlighting key features and voice control.

- **Wireless Connection:** Enable Bluetooth and Wi-Fi on your smartphone. Pair your phone with the car radio via Bluetooth. Follow the on-screen prompts to initiate CarPlay or Android Auto wirelessly.
- **Wired Connection:** Connect your smartphone to one of the unit's USB ports using a high-quality USB cable. The system should automatically detect and launch CarPlay or Android Auto.
- **Mirror Link:** For devices not supporting CarPlay/Android Auto, use the Mirror Link function to display your phone's screen on the car radio.

6.3 Bluetooth Functionality

Connect your smartphone via Bluetooth for hands-free calling and audio streaming.



FM/RDS Radio

Online music can be transmitted to the car stereo through FM to enjoy the original car stereo, 30 preset radio stations.



Image 6.2: Bluetooth interface for hands-free calls and music streaming.

- **Pairing:** Go to the Bluetooth settings on the car radio and your phone. Search for available devices and select the car radio's name to pair.
- **Hands-Free Calling:** Once paired, you can make and receive calls directly from the car radio's screen using the built-in microphone or external microphone.
- **Bluetooth Music:** Stream audio from your phone to the car speakers.

6.4 FM/RDS Radio

Access local radio stations with clear reception and RDS information.



Image 6.3: FM/RDS radio interface with frequency display.

- **Scanning:** Use the scan function to automatically find and save available radio stations.
- **RDS:** Radio Data System (RDS) displays station information such as song title or program name where available.

6.5 GPS Navigation & Wi-Fi

Utilize built-in GPS for navigation and Wi-Fi for online features and app downloads.



Image 6.4: GPS navigation screen and Wi-Fi connectivity options.

- **GPS:** The unit comes with pre-installed navigation software. Ensure the GPS antenna is properly installed for accurate positioning.
- **Wi-Fi:** Connect to a Wi-Fi hotspot (e.g., from your smartphone) to access online maps, download apps from the Google Play Store, and browse the internet.

6.6 Steering Wheel Control (SWC)

Program your vehicle's steering wheel buttons to control the car radio for convenience and safety.



Image 6.5: Steering wheel control learning interface.

- Navigate to the 'Steering Wheel Control' or 'SWC Learning' section in the unit's settings.
- Follow the on-screen instructions to assign functions (e.g., volume up/down, track skip, answer call) to your steering wheel buttons.

6.7 AHD Backup Camera

The unit automatically displays the rear view when the vehicle is in reverse gear, enhancing parking safety.



Image 6.6: Backup camera display with parking assist lines.

- Ensure the AHD camera is correctly installed and connected to the unit's camera input and the vehicle's reverse trigger wire.
- When shifting into reverse, the display will automatically switch to the camera view.

6.8 EQ Settings & DSP

Customize your audio experience with the built-in Equalizer (EQ) and Digital Sound Processor (DSP).



Image 6.7: EQ settings interface for audio customization.

- Access the 'Sound Settings' or 'EQ' menu to adjust frequency bands, balance, fader, and select from various preset sound modes (Pop, Rock, Jazz, Classical, etc.).
- The DSP provides advanced audio processing for an optimized listening experience.

6.9 Split Screen Function

Run two applications simultaneously on the screen for enhanced multitasking.

Three Split Screen Function

3 Application pages can be displayed on one page



Image 6.8: Split-screen functionality showing two apps running concurrently.

- To activate, long-press the recent apps button or drag an app to one side of the screen.
- Select another compatible app to fill the remaining screen space.

7. MAINTENANCE

- **Cleaning the Screen:** Use a soft, lint-free cloth to gently wipe the touchscreen. Avoid abrasive cleaners or solvents.
- **Software Updates:** Periodically check for software updates via Wi-Fi to ensure optimal performance and access to new features.
- **General Care:** Keep the unit free from dust and debris. Avoid placing heavy objects on the unit.

8. TROUBLESHOOTING

Problem	Possible Cause	Solution
---------	----------------	----------

Problem	Possible Cause	Solution
No power	Loose power connection, blown fuse	Check power cables and vehicle fuses. Ensure battery is connected.
No sound	Volume too low, incorrect audio settings, loose speaker wires	Increase volume. Check EQ/DSP settings. Verify speaker wire connections.
GPS not working	GPS antenna not connected or poorly positioned	Ensure GPS antenna is securely connected and has a clear view of the sky.
Bluetooth pairing issues	Bluetooth not enabled, device not discoverable	Ensure Bluetooth is enabled on both devices. Make sure the car radio is in pairing mode.
CarPlay/Android Auto not connecting	Incorrect USB cable, phone settings, Wi-Fi/Bluetooth issues	Use a certified USB cable. Check phone settings for CarPlay/Android Auto. Ensure Wi-Fi/Bluetooth is active for wireless connection.
Backup camera not displaying	Camera not connected, reverse trigger wire issue	Verify camera connections and ensure the reverse trigger wire is correctly connected to the vehicle's reverse light.
Steering wheel controls not working	Not programmed, incorrect wiring	Perform SWC learning in settings. Check SWC wiring connections.

If you encounter issues not listed here or if the suggested solutions do not resolve the problem, please contact customer support.

9. WARRANTY AND SUPPORT

9.1 Warranty Information

This AMprime product comes with a **1-year warranty** from the date of purchase, covering manufacturing defects. Please retain your proof of purchase for warranty claims. The warranty does not cover damage caused by improper installation, misuse, accidents, or unauthorized modifications.

9.2 Customer Support

For technical assistance, troubleshooting, or warranty inquiries, please contact AMprime customer support:

- **Email:** AmprimeTechSupport@yeah.net
- **Manufacturer:** AMprime
- **Place of Business:** Dover, Delaware 19901, US



Image 9.1: AMprime customer support is available to assist you.

