

[Manuals.plus](#) /

> [SOLIDEE](#) /

> SOLIDEE USBA20070 Tempered Glass Vessel Sink with Faucet and Drain Set Instruction Manual

SOLIDEE USBA20070

SOLIDEE USBA20070 Tempered Glass Vessel Sink with Faucet and Drain Set Instruction Manual

Model: USBA20070 | Brand: SOLIDEE

INTRODUCTION

Thank you for choosing the SOLIDEE USBA20070 Tempered Glass Vessel Sink. This manual provides essential information for the safe and efficient installation, operation, and maintenance of your new bathroom sink set. Please read these instructions thoroughly before beginning installation and retain them for future reference.

Key Features

- **Product Dimensions:** Sink measures 16.5 inches in width and 5.5 inches in depth, with a bowl thickness of 0.5 inches. Round shape.
- **Complete Set:** Includes a tempered glass vessel sink, black faucet, pop-up drain, cold and hot water lines, and a screw packet for comprehensive installation.
- **Premium Quality:** Constructed from high-quality tempered glass for durability and ease of cleaning. Features a slick touch texture.
- **Artistic Design:** Features an artificial hand-painted pattern, making each sink unique. Variations in pattern and color may occur due to hand-painting and exposure conditions.
- **Easy Above-Counter Installation:** Designed for straightforward assembly with complete accessories and detailed instructions provided.

PRODUCT OVERVIEW

Familiarize yourself with the components and dimensions of your SOLIDEE vessel sink set before installation.

Components Included

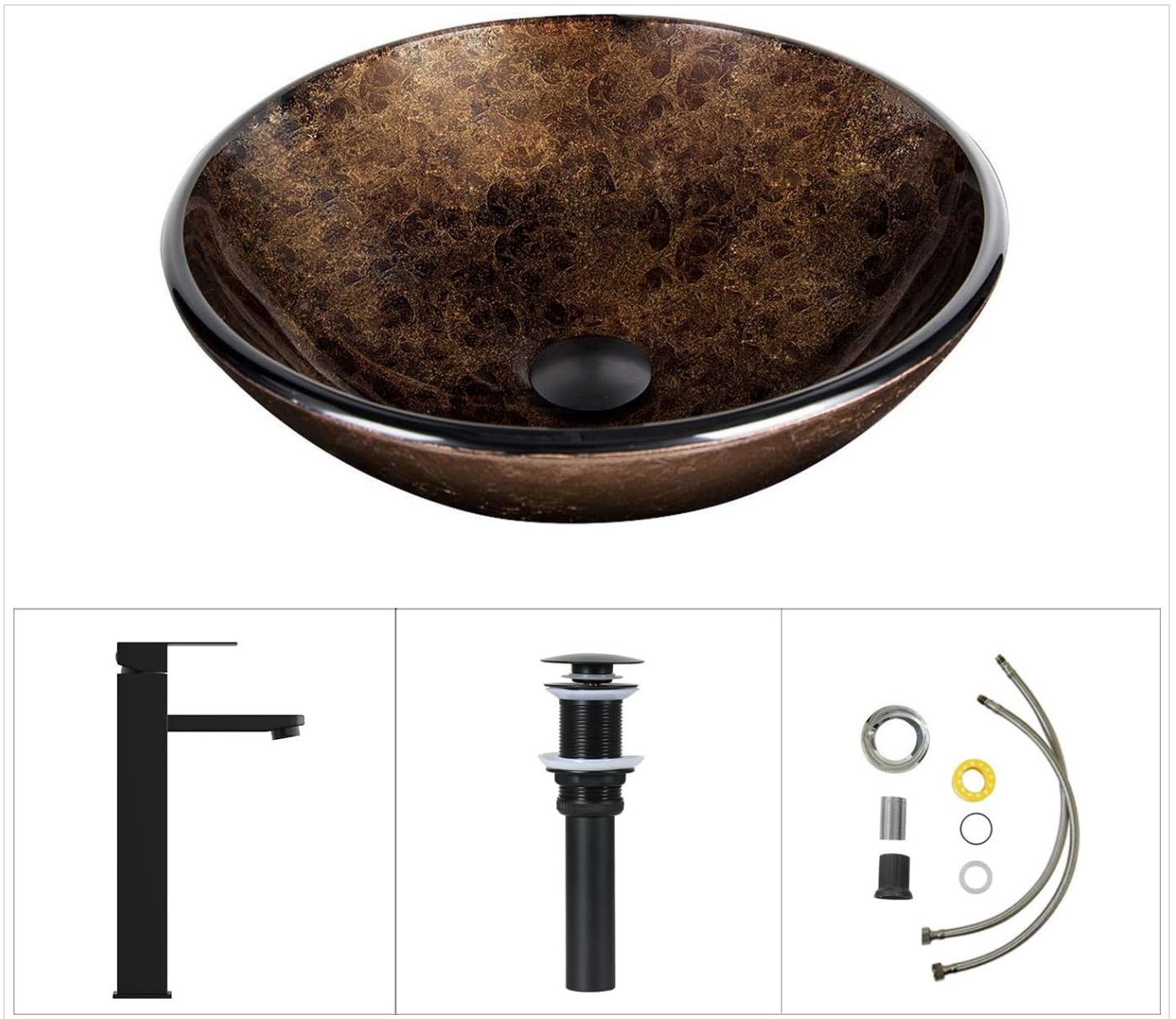


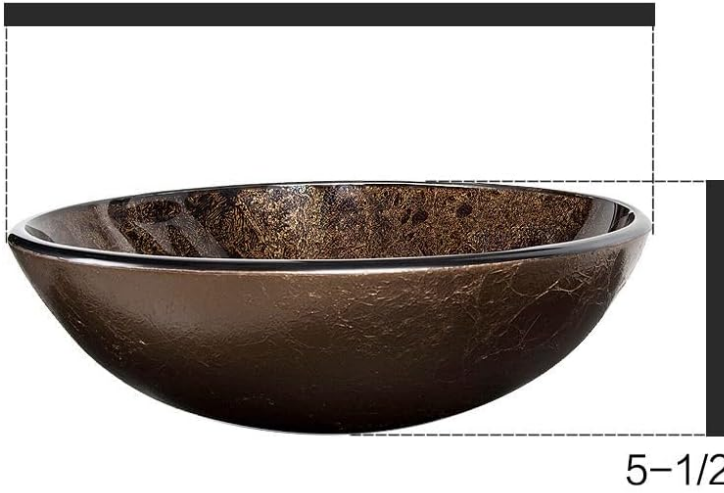
Figure 1: All components included in the SOLIDEE vessel sink set. This includes the tempered glass sink bowl, the black finish faucet, the black pop-up drain, and the necessary hot and cold water supply lines.

Product Dimensions

Unit:inch

Basin

16-1/2



5-1/2

Material:

low Lead Tempered Glass

Style:

Top Mounted Vessel Bowl

Package

Integrated Foam /pp bag

Artifact:

Artificial Casting, Glossy Glaze

Size:

16.5-Inch Diameter 5.5-Inch Deep



0.5"thick tempered glass



scratch resistant
curving edge



2912 ° F firing



windshield tempered glass



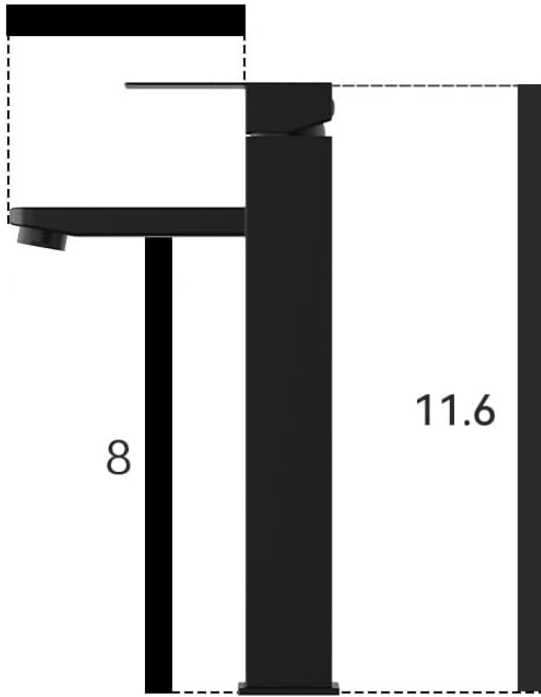
oil-free

Figure 2: Dimensions of the vessel sink. The sink has a diameter of 16.5 inches and a depth of 5.5 inches.

Unit:inch

FAUCET

4.5



Material:

304 Stainless Steel Faucet Shell / Solid Brass Structure / Ceramic Valve / Drip-Free Mineral Resistant Nozzle

Style:

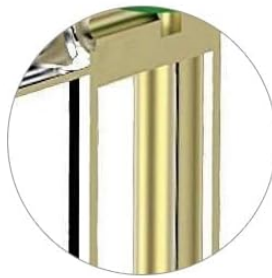
Single Hole Faucet

Package

Paper Carton / Nylon Bag / PP Bag / Contained Within Vesses Foam



304 stainless steel faucet shell



Solid brass structure



Ceramic valve

Figure 3: Dimensions of the faucet. The faucet has a total height of 11.6 inches and a spout reach of 4.5 inches.



Figure 4: Dimensions of the pop-up drain. The drain is 8 inches high and 2-5/8 inches wide at the top.

SETUP AND INSTALLATION

This vessel sink is designed for above-counter installation. Ensure you have all components and necessary tools before starting. Professional installation is recommended if you are unfamiliar with plumbing work.

Required Tools (Not Included)

- Adjustable wrench
- Plumber's putty or silicone sealant
- Drill (if cutting new holes for faucet/drain)
- Safety glasses
- Measuring tape

Installation Steps

1. **Prepare the Countertop:** Ensure your countertop has a properly sized hole for the drain (typically 1.75 inches to 2

inches in diameter) and a separate hole for the faucet if it's deck-mounted. Clean the area thoroughly.

2. **Install the Drain:** Apply a bead of plumber's putty or silicone sealant around the underside of the drain flange. Insert the drain into the sink's drain hole. From underneath the sink, attach the rubber washer, friction washer, and tighten the lock nut. Ensure a watertight seal.
3. **Position the Sink:** Carefully place the vessel sink over the drain hole on the countertop. Ensure it is centered and stable. Apply a thin bead of silicone sealant around the base of the sink where it meets the countertop to secure it and prevent water from seeping underneath.
4. **Install the Faucet:** Insert the faucet's supply lines and mounting shank through the faucet hole on the countertop. From underneath, secure the faucet with the provided mounting hardware (washer and nut). Connect the hot and cold water supply lines to your home's water supply valves.
5. **Test for Leaks:** Once all connections are secure, slowly turn on the water supply and check for any leaks around the drain, faucet base, and water line connections. Tighten any connections as needed.

OPERATING INSTRUCTIONS

Operating your SOLIDEE vessel sink is straightforward.

Faucet Operation

- The faucet features a single handle for controlling both water flow and temperature.
- Lift the handle to increase water flow.
- Move the handle left for hot water and right for cold water.
- Return the handle to the down position to turn off the water.

Pop-Up Drain Operation

- The pop-up drain operates by a simple push mechanism.
- Push down on the drain stopper to close it and retain water in the sink.
- Push down again to release the stopper and allow water to drain.

MAINTENANCE

Proper care and maintenance will ensure the longevity and appearance of your SOLIDEE vessel sink.

Cleaning the Sink

- Clean the tempered glass sink regularly with a soft cloth or sponge and mild, non-abrasive soap and water.
- Avoid using harsh chemicals, abrasive cleaners, or scouring pads, as these can scratch the glass or damage the finish.
- Rinse thoroughly with clean water and dry with a soft cloth to prevent water spots.

Cleaning the Faucet and Drain

- Wipe the black finish faucet and pop-up drain with a soft, damp cloth.
- For stubborn spots, use a mild soap solution and rinse immediately.
- Do not use abrasive cleaners, ammonia-based products, or polishes containing alcohol, as these can damage the finish.

TROUBLESHOOTING

Refer to this section for common issues and their solutions.

Problem	Possible Cause	Solution
Water leaks from under the sink or around the drain.	Loose drain connections or insufficient sealant.	Tighten drain nuts. Apply additional plumber's putty or silicone sealant around the drain flange and reassemble.
Water leaks from the faucet base.	Loose faucet mounting nut or worn O-rings.	Tighten the faucet mounting nut from underneath the countertop. If O-rings are worn, contact customer support for replacements.
Low water flow from the faucet.	Clogged aerator or partially closed water supply valves.	Unscrew the aerator from the faucet spout and clean any debris. Ensure hot and cold water supply valves are fully open.
Drain stopper does not seal properly.	Debris under the stopper or misaligned mechanism.	Remove the stopper and clean any hair or debris. Ensure the stopper mechanism is correctly aligned.

SPECIFICATIONS

Feature	Detail
Brand	SOLIDEE
Model Number	USBA20070
Color	Brown
Material	Tempered Glass (Sink), Stainless Steel/Brass (Faucet), Zinc Alloy/Brass (Drain)
Sink Dimensions (W x D x H)	16.5" x 16.49" x 5.29" (approximate)
Sink Shape	Round
Sink Bowl Thickness	0.5 inches
Installation Type	Above Countertop
Faucet Style	Single Hole
Drain Type	Pop-Up (without overflow)
Item Weight	17 Pounds

WARRANTY AND SUPPORT

For warranty information or technical support, please refer to the product packaging or contact SOLIDEE customer service directly. Keep your purchase receipt as proof of purchase.

Contact Information: Please visit the official SOLIDEE website or refer to the contact details provided with your product for support.

