

Manuals.plus /

› Halitaa /

› Halitaa DA0035 Rustic Oak Rattan Shoe Cabinet with 3 Flip Drawers & 2 Drawers User Manual

## Halitaa DA0035

# Halitaa DA0035 Rustic Oak Rattan Shoe Cabinet User Manual

Model: DA0035 | Brand: Halitaa

## INTRODUCTION

This manual provides detailed instructions for the assembly, operation, maintenance, and troubleshooting of your Halitaa DA0035 Rustic Oak Rattan Shoe Cabinet. Please read this manual thoroughly before assembly and use to ensure safe and efficient operation.



Image: The Halitaa Rustic Oak Rattan Shoe Cabinet, designed for entryway organization.

## PRODUCT OVERVIEW

The Halitaa DA0035 Shoe Cabinet is a freestanding storage solution designed for entryways, foyers, and hallways. It features a rustic oak rattan finish and offers ample storage with three flip drawers and two additional drawers.

## Key Features:

- **Large Capacity:** Three flip drawers, each with two layers of storage space, accommodate various shoe sizes. Two additional top drawers provide storage for small items like keys or wallets.
- **Space-Saving Design:** Slim profile ideal for narrow spaces, keeping shoes organized and protected from dust, pets, and insects.
- **Adjustable Compartments:** Each flip drawer includes a removable divider, allowing customization for different shoe sizes or styles.
- **Durable Construction:** Made from engineered wood with a rustic finish and sturdy legs.

## Dimensions:

The overall dimensions of the cabinet are approximately 31.5 inches (W) x 9.4 inches (D) x 52.6 inches (H).

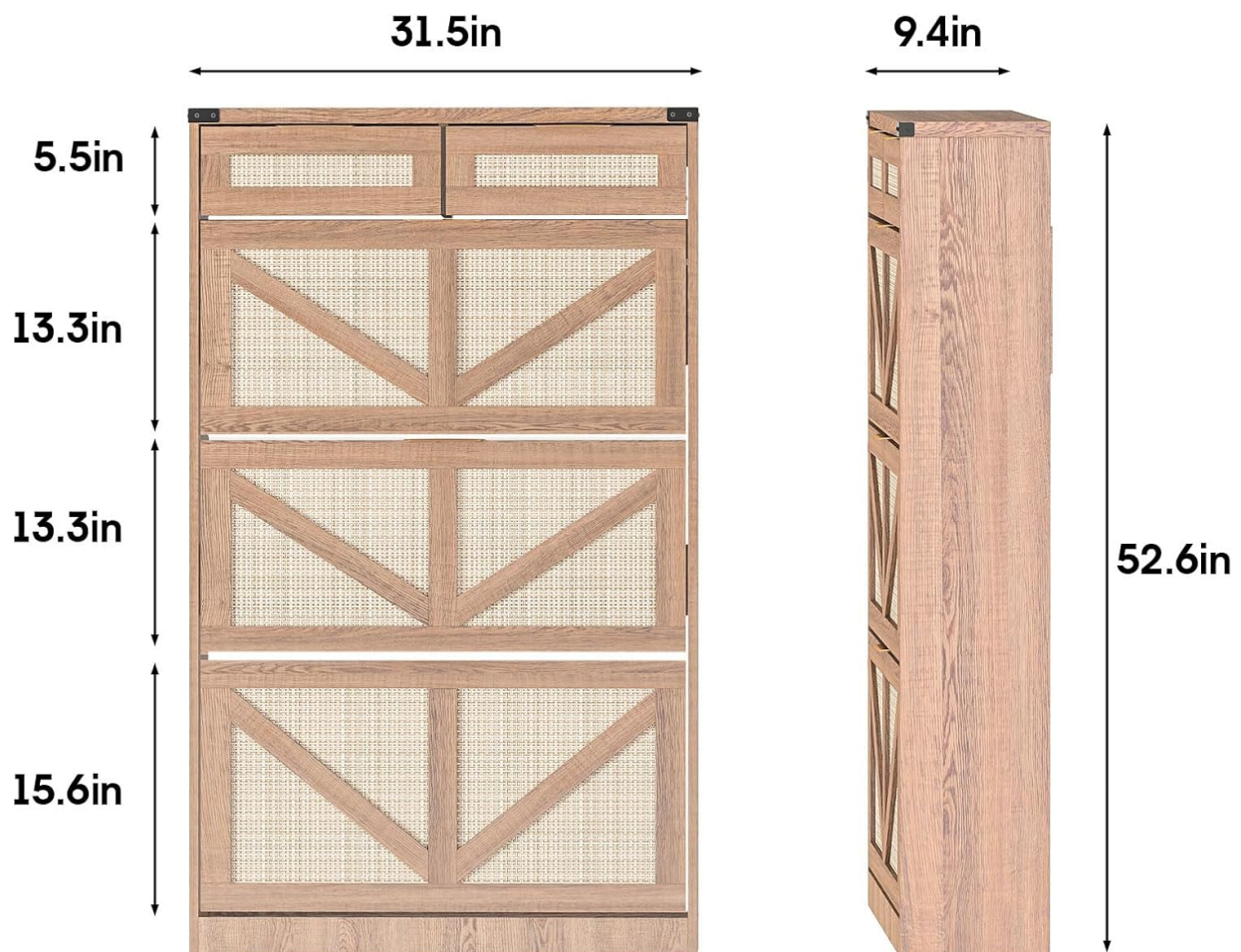


Image: Detailed dimensions of the Halitaa DA0035 Shoe Cabinet.

## SAFETY INFORMATION

- Always assemble according to the provided instructions.
- Be cautious of sharp edges and heavy loads during assembly and use.
- Do not overload the cabinet to prevent tipping or damage.
- Keep away from heat sources and moisture to prevent warping or damage to the wood.
- Secure the cabinet to the wall using the anti-tip kit provided to prevent accidental tipping, especially in households with children or pets.

# Prevent Tip-over Incidents Ensuring your family's Safety

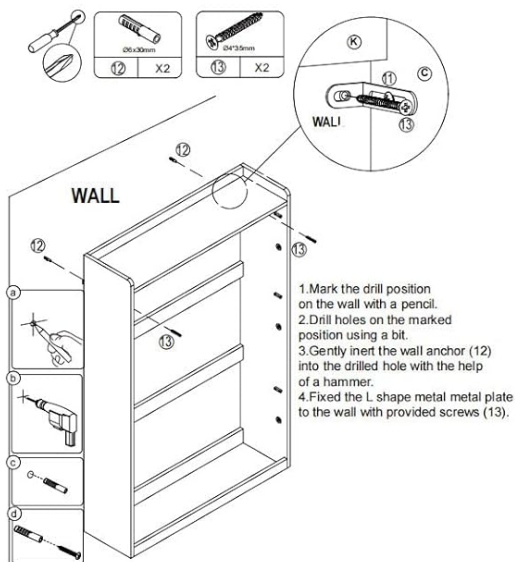
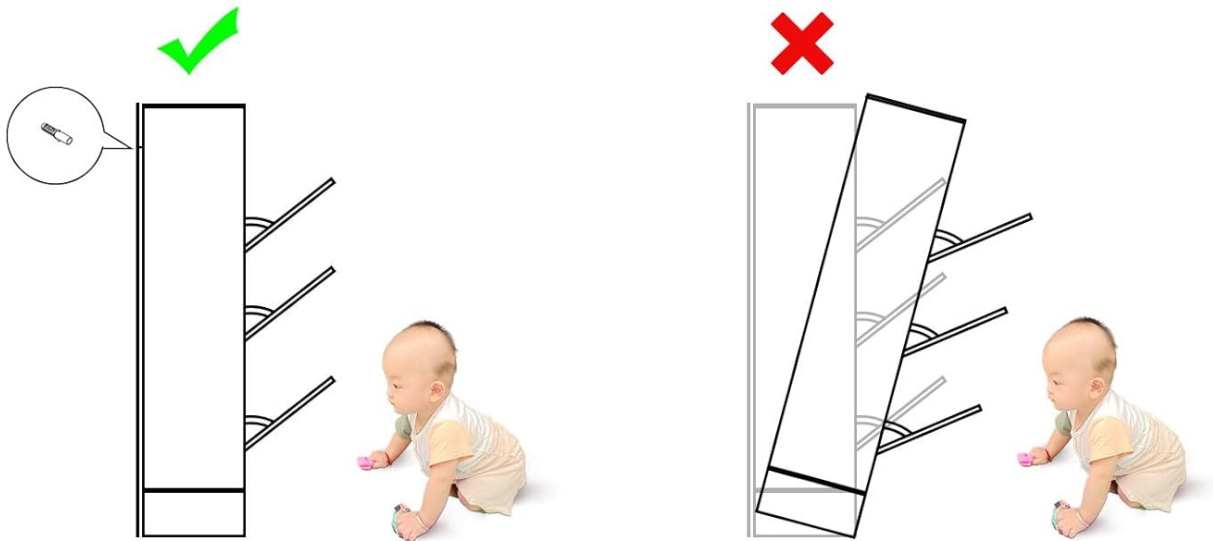


Image: Illustration of the anti-tip safety feature, demonstrating how to secure the cabinet to a wall.

## ASSEMBLY INSTRUCTIONS

Assembly is required for this shoe cabinet. All necessary parts, hardware, and clear installation instructions are included. Each part is labeled for easy identification.

- 1. Unpack Components:** Carefully unpack all parts and hardware. Verify that all items listed in the parts list are present.
- 2. Review Instructions:** Read the entire instruction manual before beginning assembly.
- 3. Assemble Frame:** Follow the step-by-step diagrams to assemble the main frame of the cabinet. Ensure all connections are secure.
- 4. Install Drawers:** Assemble the two top drawers and the three flip drawers according to the instructions.
- 5. Insert Dividers:** Place the removable dividers within the flip drawers as desired. These can be

adjusted or removed based on shoe size.

6. **Attach Hardware:** Secure all handles and any decorative elements.
7. **Secure to Wall:** For safety, especially in homes with children or pets, attach the anti-tip device to the back of the cabinet and secure it to a wall stud.

*If you encounter any issues during assembly, please refer to the detailed diagrams in the included instruction booklet or contact customer support.*

## OPERATING INSTRUCTIONS

### Using the Flip Drawers:

The three lower compartments are designed as flip drawers for shoe storage. Gently pull the handle to open the drawer. The drawer will tilt forward, revealing two tiers for shoes. Place shoes with the toes facing inwards for optimal space utilization. Push the drawer back until it clicks securely into place.

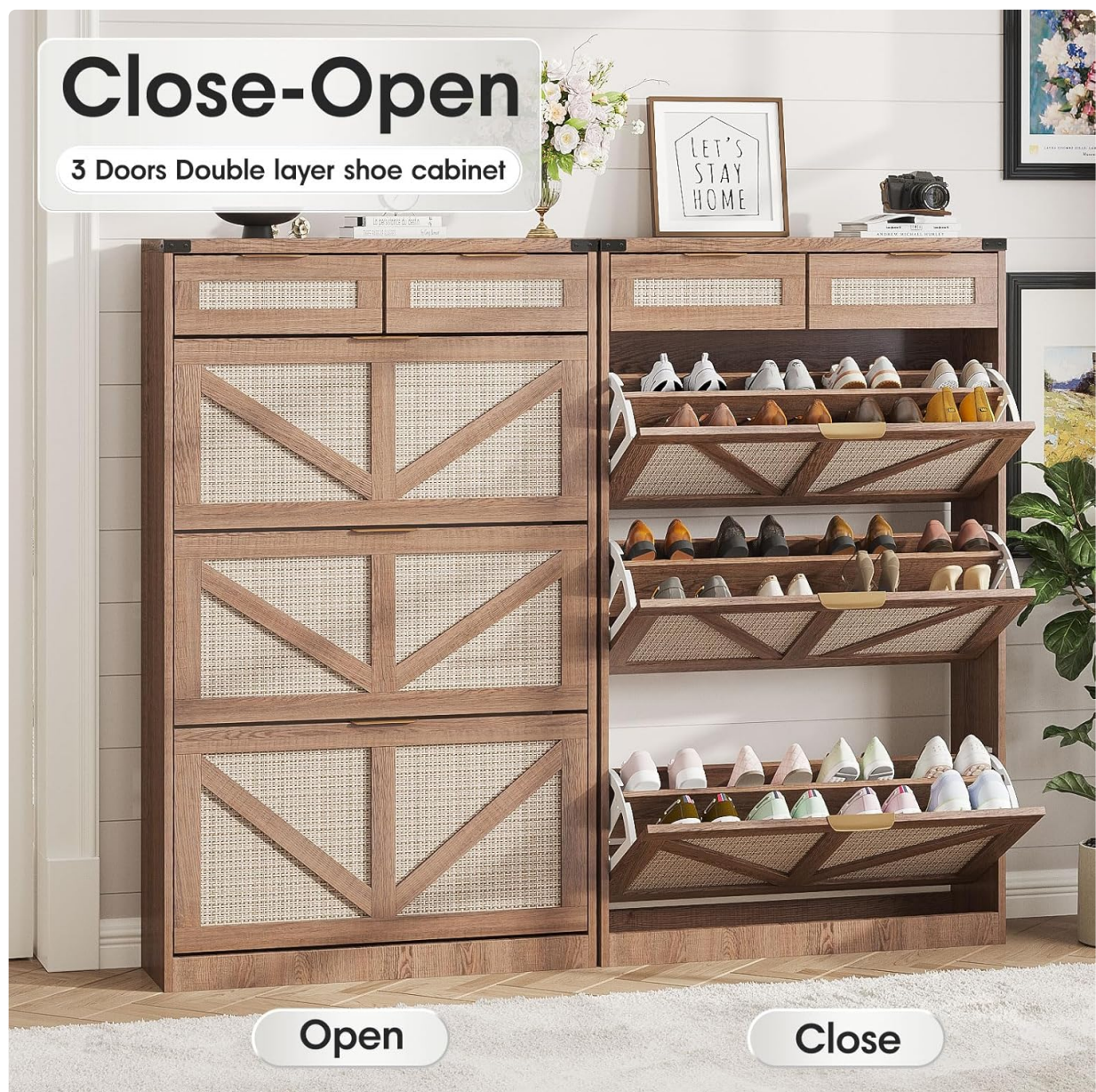


Image: The shoe cabinet with one flip drawer open, illustrating the storage mechanism.

## 3 LAYERS OF DRAWERS

Keep Shoes Organized and Clean



Image: Interior view of a flip drawer with shoes, highlighting the two-tier storage.

### Adjusting Dividers:

Each flip drawer contains a removable divider. To adjust or remove a divider, gently lift it from its slots and reposition it or take it out completely. This allows for storage of taller shoes or boots.



### ADJUSTABLE COMPARTMENT

The shelf in the middle of each drawer is position-adjustable and can even be pulled out

Image: The adjustable divider within a flip drawer, allowing customization for different shoe heights.

### Using the Top Drawers:

The two drawers located at the top of the cabinet are standard pull-out drawers. Use these for storing smaller items such as keys, wallets, mail, or other entryway essentials.

## 2 Slide Drawers

Allows you to put keys, gadgets, etc



Image: The two top slide drawers, open to show storage for small items.

### MAINTENANCE AND CARE

- **Cleaning:** Wipe surfaces with a soft, damp cloth. Avoid harsh chemicals or abrasive cleaners that may damage the finish.
- **Dusting:** Regularly dust the cabinet to prevent buildup.
- **Spills:** Clean up spills immediately to prevent staining or damage to the wood.
- **Inspection:** Periodically check all hardware and connections to ensure they remain tight and secure.
- **Avoid Overloading:** Do not exceed the weight capacity of the drawers or shelves to prevent structural damage.

### TROUBLESHOOTING

If you encounter any issues with your shoe cabinet, please refer to the following common solutions:

- **Drawers not closing smoothly:** Check for any obstructions within the drawer mechanism or on the tracks. Ensure the cabinet is level.
- **Cabinet wobbles:** Verify that all assembly screws are tightened. Ensure the cabinet is placed on a

flat, even surface. If necessary, adjust the leveling feet (if applicable) or use shims. Confirm the anti-tip kit is properly installed and secured.

- **Shoes do not fit:** Utilize the adjustable/removable dividers in the flip drawers to create more space for taller shoes.

For further assistance, please contact Halitaa customer support.

## SPECIFICATIONS

Feature	Detail
Brand	Halitaa
Model Number	DA0035
Color	Rustic Oak Rattan
Product Dimensions	9.4"D x 31.5"W x 52.6"H
Material	Engineered Wood
Mounting Type	Freestanding
Number of Flip Drawers	3
Number of Top Drawers	2
Assembly Required	Yes

## WARRANTY AND SUPPORT

For warranty information or customer support, please refer to the documentation included with your purchase or contact the retailer. Halitaa is committed to providing quality products and assistance.