

## Manuals+

[Q & A](#) | [Deep Search](#) | [Upload](#)

manuals.plus /

› [Shintenchi](#) /

› [Shintenchi Over The Toilet Storage Cabinet Instruction Manual](#)

## Shintenchi STC-SHX2466A-GY

# Shintenchi Over The Toilet Storage Cabinet

Model: STC-SHX2466A-GY | Brand: Shintenchi

## INTRODUCTION

This instruction manual provides detailed guidance for the assembly, installation, operation, and maintenance of your Shintenchi Over The Toilet Storage Cabinet. Please read this manual thoroughly before beginning assembly to ensure safe and correct usage. This cabinet is designed to provide additional storage space in bathrooms, laundry rooms, or other suitable areas, utilizing vertical space efficiently.

## SAFETY INFORMATION

**Important:** Always adhere to the following safety guidelines to prevent injury or damage to the product.

- Always secure the cabinet to the wall using the provided anti-tip device to prevent tipping and potential injury. Failure to do so can result in serious injury.
- Do not overload the shelves. Exceeding the weight capacity can compromise the stability of the cabinet and cause it to tip over.
- Ensure all screws and fasteners are tightened securely during assembly. Periodically check and re-tighten as necessary.
- Keep small parts and assembly hardware out of reach of children and pets to prevent choking hazards.
- Assemble the unit on a soft, clean surface to prevent scratching or damage to the cabinet components.

## PRODUCT DIMENSIONS

Before assembly, it is crucial to verify that the cabinet dimensions are compatible with your intended installation area, especially if placing it over a toilet or washing machine. Measure your space carefully to ensure proper fit and clearance.

## Over the Toilet



## Over the Washing Machine



Figure 1: Product dimensions. The cabinet measures approximately 8.5"D x 23.6"W x 65.4"H. The clearance for the toilet/washing machine is approximately 21.3" wide and 32.3" high.



Figure 2: The Shintechi Over The Toilet Storage Cabinet installed in a bathroom, showcasing its design and how it fits over a standard toilet.

# Product Dimension

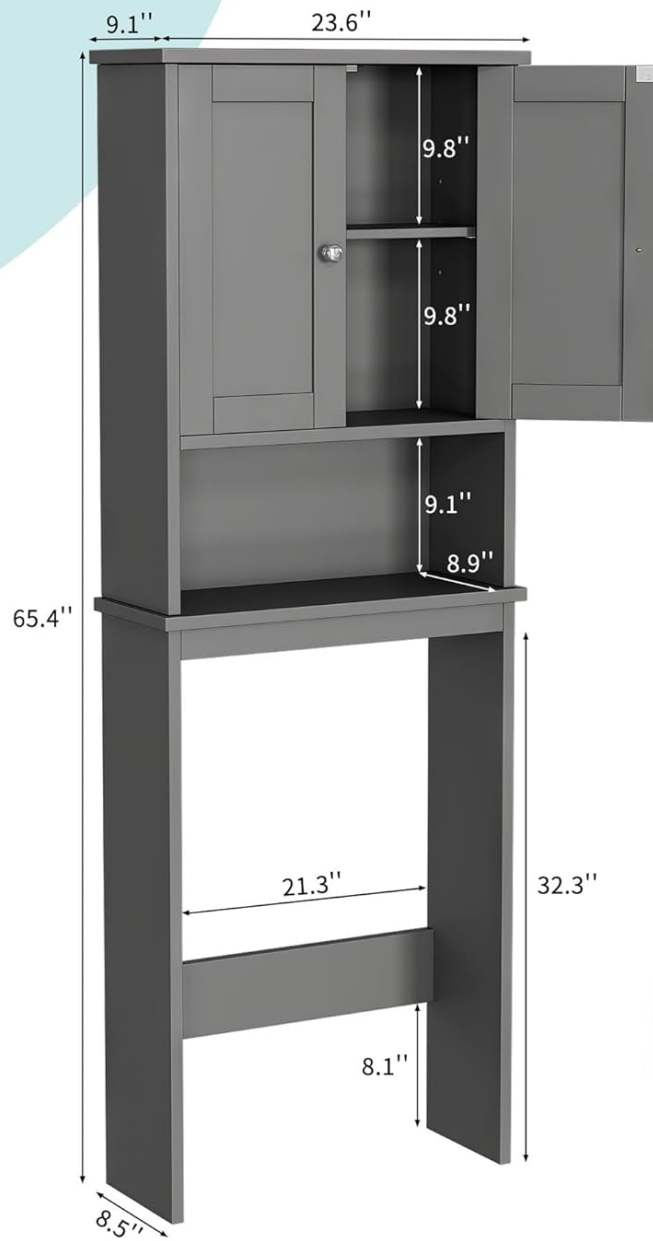


Figure 3: Side view of the cabinet, highlighting its depth and freestanding design.



Figure 4: Front view of the cabinet, showing the double doors and open shelf.

## Large Storage Space with 1 Cabinet and 1 Shelf



Shampoo



Toilet Paper



Towel



Toothbrush Cup



Plants



Sundries



Figure 5: Back view of the cabinet, illustrating the structure that allows it to fit over a toilet or washing machine.

### PACKAGE CONTENTS

Please check the package contents against the parts list provided in your assembly manual. Ensure all components and hardware are present and undamaged before beginning assembly. If any parts are missing or damaged, contact customer support immediately.

*Note: A detailed parts list with corresponding labels (e.g., A, B, C for panels; 1, 2, 3 for hardware) is typically included in the physical assembly manual. Refer to that document for precise identification.*

### ASSEMBLY AND SETUP

Assembly is required for this product. An instruction manual with step-by-step guidance is included in the product packaging. Please follow the instructions carefully.

### Tools Required (Not Included):

- Phillips head screwdriver
- Hammer (for dowels, if applicable)
- Measuring tape (for pre-assembly checks)
- Pencil (for marking wall for anti-tip device)
- Drill (for anti-tip device installation, if required by wall type)

### General Assembly Steps:

1. **Unpack and Identify Parts:** Lay out all components on a clean, soft surface. Verify all parts against the included parts list.
2. **Assemble Base Frame:** Connect the side panels and crossbars to form the lower frame that will fit over your toilet or washing machine. Ensure the lower bar (often item D in manuals) clears any plumbing or toilet lids.
3. **Attach Upper Cabinet Structure:** Secure the upper cabinet panels, including the top, bottom, and side panels, to form the enclosed storage area.
4. **Install Adjustable Shelf:** Insert the adjustable shelf into the cabinet at your desired height. The cabinet features a 3-level adjustable board for flexible storage.
5. **Attach Doors and Hardware:** Install the cabinet doors using the provided hinges. Attach the metal handles and magnetic stoppers to ensure the doors close securely.
6. **Install Anti-Tip Device:** This is a critical safety step. Secure the anti-tip device to the back of the cabinet and firmly attach it to a wall stud or use appropriate wall anchors. Follow the specific instructions provided in your manual for this device.
7. **Final Checks:** Ensure all connections are tight and the cabinet is stable.

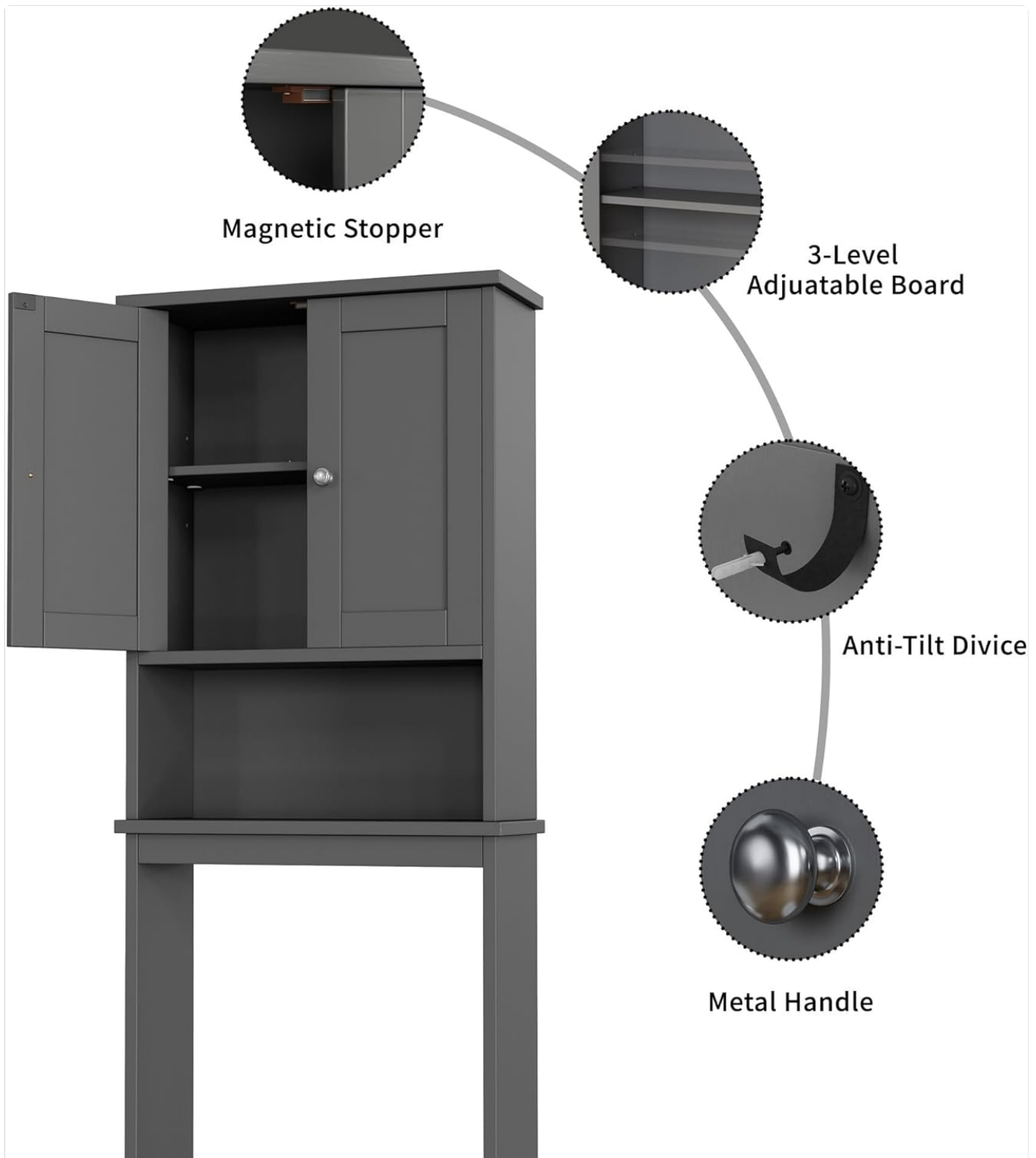


Figure 6: Key features of the cabinet, including the magnetic stopper for doors, the 3-level adjustable shelf, the anti-tip device for stability, and the metal handles.

## OPERATION AND USAGE

The Shintenchi Over The Toilet Storage Cabinet is designed for versatile storage in various rooms.

- **Storage Capacity:** Utilize the enclosed cabinet with its adjustable shelf for items you wish to keep out of sight, such as toiletries, cleaning supplies, or personal items. The open shelf below the cabinet is ideal for frequently accessed items or decorative elements.
- **Adjustable Shelf:** The internal shelf can be adjusted to three different heights to accommodate items of varying sizes. To adjust, remove the shelf, reposition the shelf pins to the desired level, and reinsert the shelf. You can also



remove the shelf entirely for larger items.

- **Multi-functional Placement:** While primarily designed for over-the-toilet use, this cabinet can also be placed over a washing machine in a laundry room or used as a freestanding storage unit in other areas like an entrance or living room, provided the dimensions fit.

## Your Bathroom Space-Saver



Toiletries



Cosmetics



Shampoo



Decorate

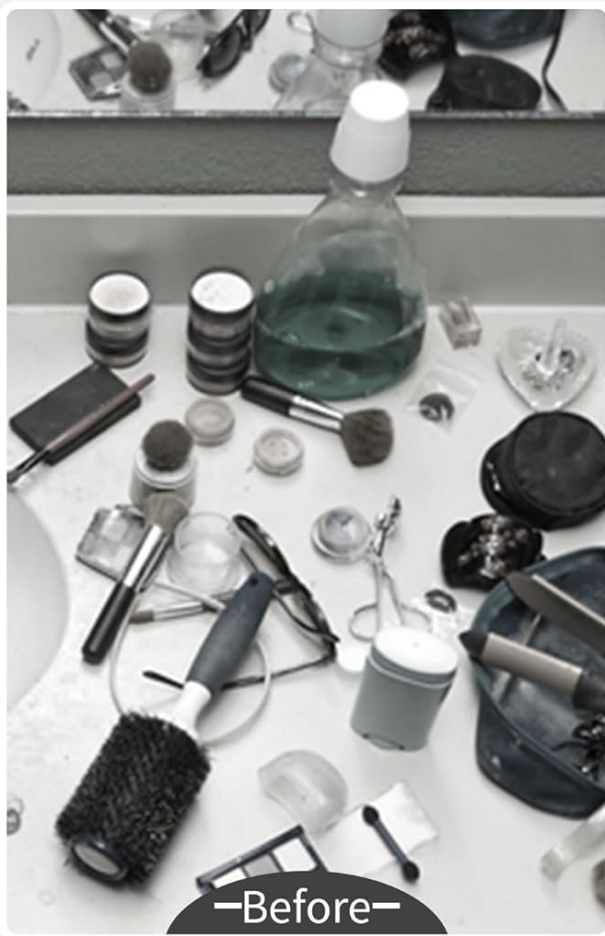


Figure 7: Examples of items that can be stored in the cabinet, including shampoo, toilet paper, towels, toothbrush cups, plants, and other sundries.

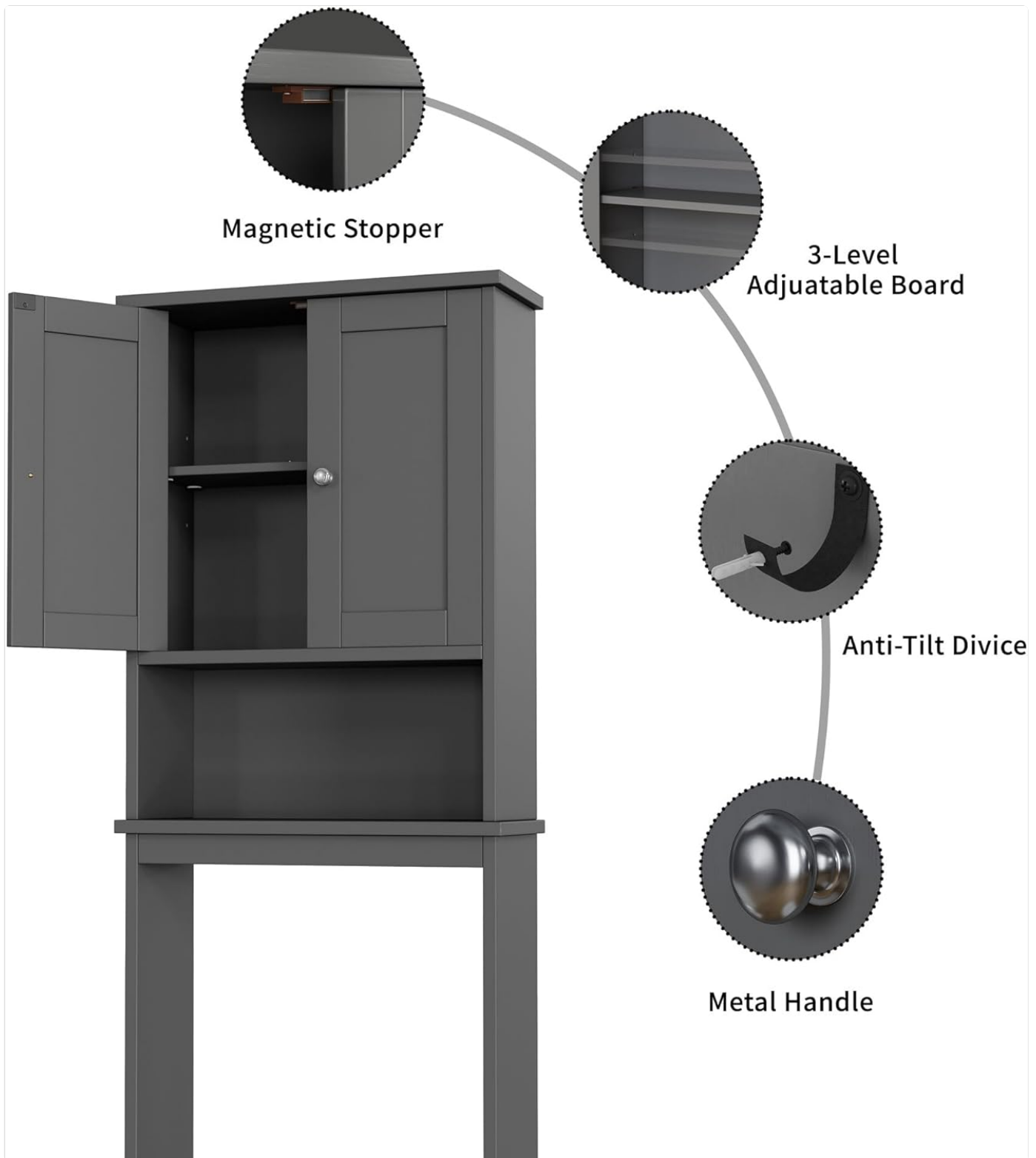


Figure 8: The cabinet's versatility, demonstrating its use both over a toilet and over a washing machine, highlighting the clearance dimensions.

## MAINTENANCE

To maintain the appearance and longevity of your storage cabinet, follow these simple maintenance guidelines:

- **Cleaning:** Wipe the surfaces with a soft, damp cloth. Avoid using harsh chemicals, abrasive cleaners, or polishes, as these can damage the finish.
- **Spills:** Immediately wipe up any spills to prevent water damage or staining, especially in a bathroom environment.
- **Hardware Check:** Periodically check all screws, bolts, and fasteners to ensure they remain tight. Re-tighten as needed to maintain stability.

- **Avoid Overloading:** Do not place excessively heavy items on the shelves, as this can cause structural damage or instability.

## TROUBLESHOOTING

If you encounter issues with your Shintenchi Over The Toilet Storage Cabinet, refer to the following common problems and solutions:

Problem	Possible Cause	Solution
Cabinet is wobbly or unstable.	Loose fasteners; uneven floor; anti-tip device not installed or improperly secured.	Ensure all screws are fully tightened. Check if the floor is level; use shims if necessary. <b>Crucially, install and properly secure the anti-tip device to a wall stud or with appropriate anchors.</b>
Cabinet does not fit over the toilet/washing machine.	Insufficient clearance for plumbing or toilet lid; incorrect measurements taken prior to purchase.	Verify the dimensions of your toilet/washing machine against the cabinet's clearance dimensions (21.3" W x 32.3" H). If it does not fit, the product may not be suitable for your specific setup.
Doors do not close properly.	Hinges are loose or misaligned; magnetic stopper is not aligned.	Adjust the hinges to ensure proper door alignment. Check the position of the magnetic stopper and adjust if necessary.
Missing parts or damaged components.	Manufacturing defect or shipping damage.	Do not proceed with assembly. Contact Shintenchi customer support with your purchase details and a description of the issue for assistance.

## SPECIFICATIONS

Feature	Detail
Brand	Shintenchi
Model Name	Over the Toilet Storage
Model Number	STC-SHX2466A-GY
Color	Grey
Product Dimensions	8.5"D x 23.6"W x 65.4"H
Item Weight	46.2 Pounds
Material	Engineered Wood (Frame, Back), Wood (Top)
Special Feature	Adjustable Shelf, Anti-Tip Device
Mounting Type	Floor Mount (Freestanding)
Number of Shelves	1 (adjustable)
Assembly Required	Yes

Feature	Detail
Recommended Uses	Toiletry, Towels, Shampoo, Cosmetics, Soap, Toilet Paper, First Aid Kit
UPC	810178067732

## WARRANTY AND SUPPORT

For information regarding product warranty, returns, or technical support, please refer to the documentation included with your purchase or contact Shintenchi customer service directly. Contact details can typically be found on the manufacturer's official website or on your purchase receipt.

For general inquiries or assistance, you may visit the [Shintenchi Store on Amazon](#).