

[Manuals.plus](#) /

> [Baborokic](#) /

> Baborokic Black Metal Garage Storage Cabinet with Casters (Model XR-GJ02-BK) - Instruction Manual

Baborokic XR-GJ02-BK

Baborokic Black Metal Garage Storage Cabinet with Casters

Model: XR-GJ02-BK

INTRODUCTION

Thank you for purchasing the Baborokic Black Metal Garage Storage Cabinet with Casters. This manual provides essential information for the safe assembly, proper operation, and effective maintenance of your new storage cabinet. Please read these instructions thoroughly before assembly and retain them for future reference.

This cabinet is designed for organizing tools and other items in garages, workshops, basements, and similar environments. Its robust metal construction and mobile design offer both durability and flexibility.

SAFETY INSTRUCTIONS

- Always assemble the cabinet on a flat, stable surface to prevent tipping.
- Ensure all screws and fasteners are securely tightened before use. Periodically check and re-tighten as necessary.
- Do not overload the shelves. Refer to the specifications section for weight capacities.
- Distribute weight evenly on shelves to maintain stability.
- When moving the cabinet, ensure the path is clear and the casters are unlocked. Lock the casters once the cabinet is in its desired position.
- For added stability, especially if storing heavy items or in high-traffic areas, use the included expansion bolts to secure the cabinet to a wall.
- Keep keys in a safe place away from children.
- Avoid placing hot items directly on the cabinet surface.

PACKAGE CONTENTS

Before beginning assembly, verify that all parts are present and undamaged. If any parts are missing or damaged, please contact customer support.

- Cabinet Panels (Top, Bottom, Sides, Back, Doors)

- Adjustable Shelves
- Casters (4 with brakes)
- Handles
- Lock and Keys (2 keys)
- Hooks (4 for side panel)
- Assembly Hardware (Screws, bolts, nuts)
- Basic Screwdriver
- Expansion Bolts (for wall mounting)
- Instruction Manual

ASSEMBLY INSTRUCTIONS

Assembly is straightforward. Follow these steps carefully. It is recommended to have a second person assist with assembly.

1. **Unpack and Identify Parts:** Lay out all components on a clean, soft surface to prevent scratches. Refer to the parts list to identify each piece.
2. **Attach Casters:** Secure the four casters to the bottom panel of the cabinet using the provided screws. Ensure the casters with brakes are positioned at the front for easy access.
3. **Assemble Frame:** Attach the side panels to the bottom panel, then connect the back panel. Use the provided screws and the basic screwdriver. Do not overtighten initially.
4. **Install Top Panel:** Place the top panel onto the assembled frame and secure it with screws. Ensure all connections are snug.
5. **Install Doors:** Attach the doors to the cabinet frame using the hinges. Ensure they open and close smoothly.
6. **Install Handles and Lock:** Attach the handles to the doors. Install the lock mechanism into the designated slot on one of the lower doors. Test the lock with the provided keys.
7. **Insert Adjustable Shelves:** Place the shelf clips at the desired height inside the cabinet. Slide the adjustable shelves onto the clips.
8. **Attach Side Hooks:** Secure the four hooks to the perforated side panel for hanging tools.
9. **Final Tightening:** Once fully assembled, go back and securely tighten all screws. Avoid excessive force to prevent stripping.



Figure 1: Cabinet dimensions and weight capacities. The top surface supports up to 200 lbs, and each adjustable shelf supports up to 120 lbs.



DESIGNED WITH HANDLE AND HOOKS
(Convenient hanging tool and organize your tools)

DESIGNED WITH LOCKABLE DOOR
(Efficient in preventing product loss)

Figure 2: Detail of the side handle with integrated hooks for tool hanging and the lockable door mechanism.

OPERATING INSTRUCTIONS

Moving the Cabinet

- To move the cabinet, ensure all items inside are stable and doors are closed.
- Unlock the brakes on all four casters.
- Use the side handle to push or pull the cabinet to the desired location. The 360° rotating wheels allow for easy maneuverability.
- Once in position, engage the brakes on all casters to secure the cabinet and prevent accidental movement.

360° ROTATION QUIET CASTERS BRAKE LOCK IS ADJUSTABLE

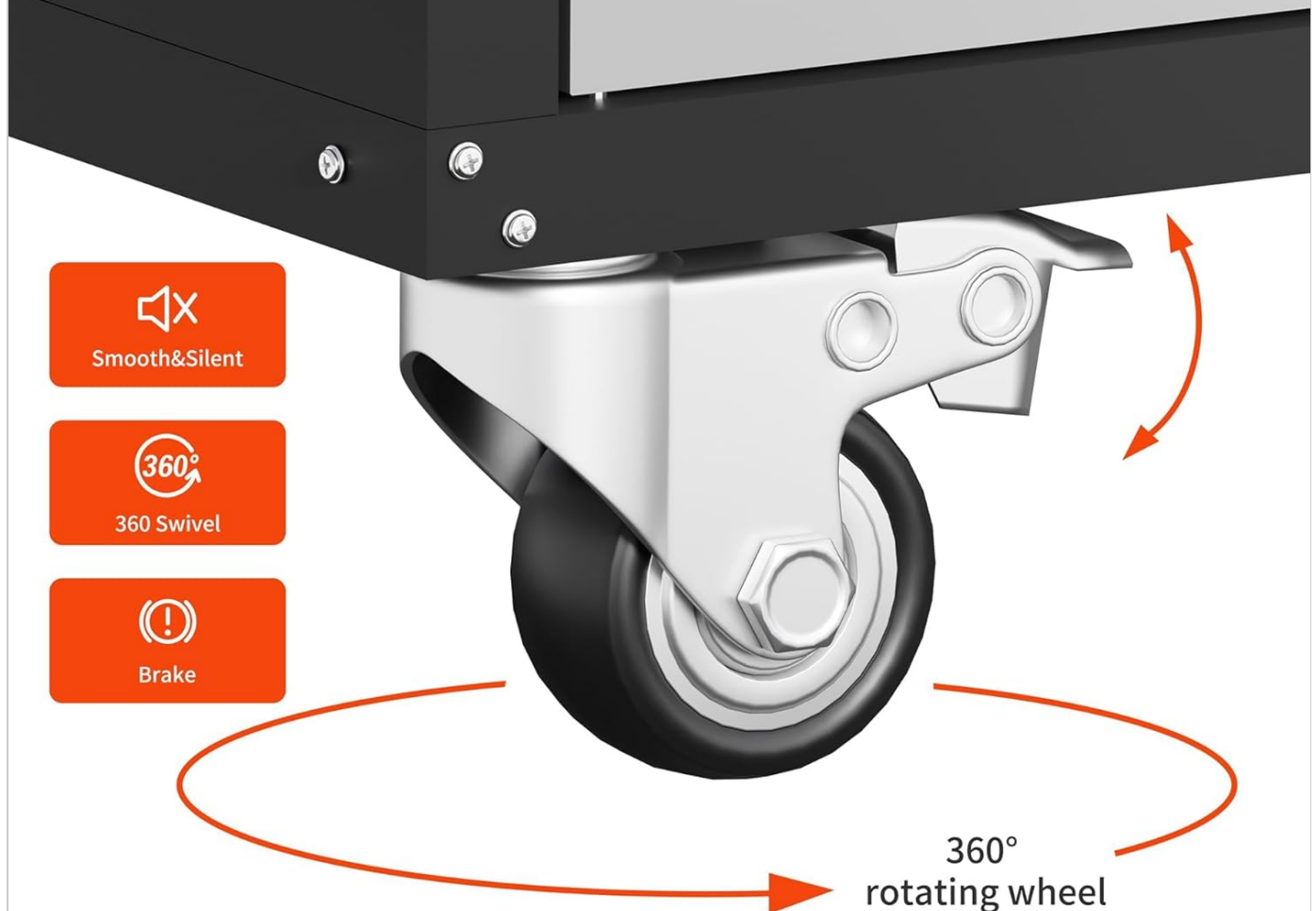


Figure 3: Detail of the 360° rotating caster with an adjustable brake lock for stability.

Adjusting Shelves

- Empty the shelf you wish to adjust.
- Remove the shelf clips from their current position.
- Re-insert the shelf clips into the desired holes at the new height. Ensure all four clips are at the same level.
- Carefully place the shelf back onto the clips.

Locking the Cabinet

- Close both lower doors completely.
- Insert one of the provided keys into the lock on the right door.
- Turn the key to engage the locking mechanism.
- Remove the key and store it in a secure location.

MAINTENANCE

- **Cleaning:** Wipe the cabinet surfaces with a soft, damp cloth. Avoid abrasive cleaners or solvents that could damage the powder coating.
- **Fastener Check:** Periodically inspect all screws and bolts for tightness. Re-tighten any loose fasteners to maintain structural integrity.
- **Caster Maintenance:** Keep caster wheels free of debris. Lubricate moving parts of the casters if they become stiff or noisy.
- **Lock Mechanism:** If the lock mechanism becomes stiff, apply a small amount of graphite lubricant to the keyhole.



Figure 4: Construction details showing the high-quality steel base, acid-resistant coating, and powder-coated finish, contributing to its waterproof, stable, and odor-free properties.

TROUBLESHOOTING

Problem	Possible Cause	Solution
---------	----------------	----------

Problem	Possible Cause	Solution
Cabinet is unstable or wobbles.	Uneven floor; loose fasteners; uneven weight distribution.	Move to a level surface. Check and tighten all assembly screws. Redistribute items evenly on shelves. Consider wall mounting with expansion bolts.
Casters do not roll smoothly.	Debris in wheels; casters locked; lack of lubrication.	Clear any debris from the wheels. Ensure caster brakes are disengaged. Apply a small amount of lubricant to the caster axles.
Doors do not close properly.	Misaligned hinges; obstruction; cabinet frame not square.	Check hinge alignment and adjust if necessary. Remove any obstructions. Ensure the cabinet frame is assembled squarely by checking all connections.
Lock mechanism is stiff.	Lack of lubrication; debris in lock.	Apply a small amount of graphite lubricant into the keyhole. Ensure the key is fully inserted before turning.

SPECIFICATIONS

Brand: Baborokic

Model Number: XR-GJ02-BK

Material: High-Quality Metal Steel

Color: Black

Product Dimensions (L x W x H): 31.5 inches (80 cm) x 15.7 inches (39.9 cm) x 35.4 inches (89.9 cm)

Top Surface Weight Capacity: Up to 200 lbs

Adjustable Shelf Weight Capacity: Up to 120 lbs per shelf

Item Weight: Approximately 45 lbs

Special Features: Adjustable Shelves, 360° Rotating Casters with Brakes, Lockable Doors, Side Handle with Hooks, Scratch-Resistant Powder Coating.

Recommended Use: Tool storage, garage organization, workshop, basement, gym.

WARRANTY AND SUPPORT

This product comes with a satisfaction guarantee. All necessary tools and instructions are included for assembly. If you encounter any issues with your Baborokic storage cabinet or have questions regarding its use, please do not hesitate to contact our customer support team. We are committed to ensuring your satisfaction.

For support, please refer to the contact information provided at your point of purchase or visit the official Baborokic website.

